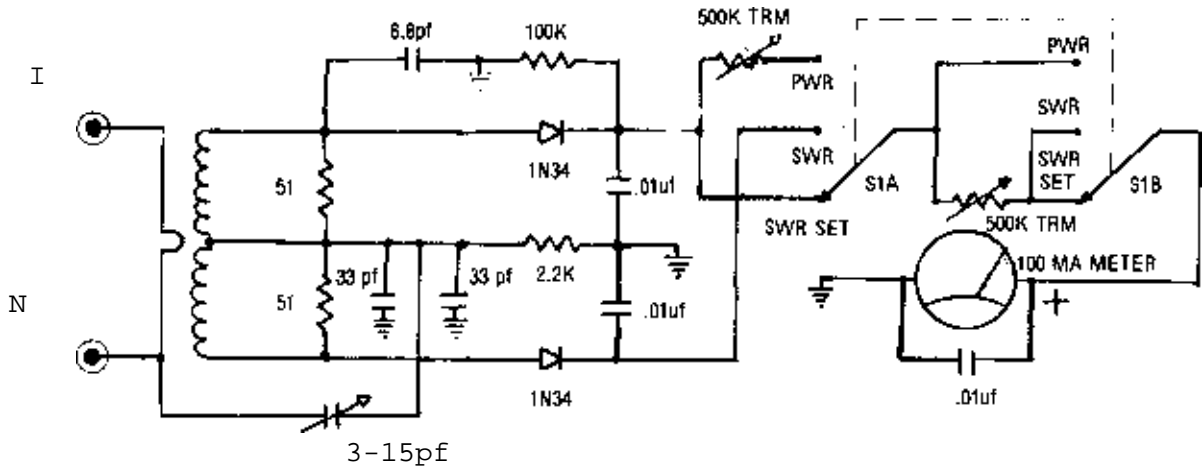


MFJ-841 SWR/POWER METER

Thank you for purchasing the MFJ-841 SWR/POWER METER. The MFJ-841 is designed for 2 meter handheld radios with a maximum power rating of 5 watts. The MFJ-841 uses your own antenna and plugs right between it and your handheld radio.

USING the MFJ-841

The MFJ-841 is used only with handheld 2 meter radios with a maximum rating of 5 watts. Do not attempt to use it for higher power ratings. USING THE WATTMETER---The wattmeter is used by simply connecting the MFJ-841 between your Handheld 2 meter radio and antenna, switching to the PWR setting and keying up. Simply read the wattmeter. If by some reason the wattmeter is out of calibration, simply insert a known power source (2 meter only) and key up. Set the trimpot on the side (no need to open the case.) for the know power input. USING THE SWR METER-----The SWR meter is used by first setting the switch to SEN (sensitivity), keying up and adjusting the meter for maximum needle deflection. Key down and set the switch for SWR. Key up and read the SWR.



MFJ-841 SWR/WATTMETER SCHEMATIC