



15 METER CW TRANSCEIVER



Model MFJ-9015

INSTALLATION MANUAL

CAUTION: Read All Instructions Before Operating Equipment

MFJ ENTERPRISES, INC.

P.O. BOX 494, MISSISSIPPI STATE, MS 39762, USA

INTRODUCTION:

Congratulations on your choice of the MFJ-9015 15-Meter QRP transceiver. Please read this manual carefully before attempting to operate your new radio. Let's begin with an introduction to some special features we think you'll like!

EASY TO OPERATE: The MFJ-9015 is extremely simple to set up and operate (much easier than a complex multi-band digital radio).

GREAT SENSITIVITY: The new MFJ-9015 receiver is more sensitive than ever -- even the weakest signals come in loud and clear! Plus, we include a four-pole front-end filter, double-balanced mixing, and careful gain distribution to knock down intermod.

EXCELLENT SELECTIVITY: A tight 750-Hz CW-bandwidth crystal filter fights unwanted QRM and noise to the max! Add our optional MFJ-726 NARROW AUDIO FILTER for even more selectivity.

SMOOTH AND STABLE VFO: A special wide-spaced 6:1 reduction-drive VFO Capacitor glides slowly across the easy-to-read linear dial. Add the convenience of true Receive Incremental Tuning (RIT), and you may forget you aren't operating a "big rig"!

EASY ON THE EARS: Our graceful AGC tracks only the signals you want to hear -- and NEVER locks onto adjacent signals outside the bandpass. In transmit, enjoy the crystal-clear 700-Hz sidetone (no square waves). Stop sending, and the receiver snaps back to life instantly -- at full sensitivity -- thanks to our exclusive "AGC Instant Recovery Circuit" (TM). There's plenty of audio power from the built-in 3" speaker or from your favorite phones.

RUGGED TRANSMITTER: The MFJ-9015 delivers full QRP output, tolerates up to 3:1 VSWR, and survives momentary feedline shorts or opens. Adjustable-holed T/R switching matches your personal operating style. And, 700-Hz offset is automatic; just like on a big rig. For added fun, install the MFJ-412 CURTIS IAMBIC KEYSER MODULE and hook up your favorite set of paddles.

GO PORTABLE: Take your MFJ-9015 QRP station anywhere with the MFJ-1770 PORTABLE DIPOLE or matching MFJ-971 QRP TUNER. Add a MFJ-4114 PORTABLE POWER PACK, or the new super-compact MFJ-4110 AC WALL-ADAPTER power pack. The MFJ-9015 uses rugged G-10 board and housed in a durable aluminum cabinet.

These features all add up to hour after hour of operating in arm-chair comfort. Best of all, your radio is fully backed by MFJ's exclusive unconditional "No Matter What" 1-year guarantee.

TECHNICAL SPECIFICATIONS:

RECEIVER SECTION:

Frequency Coverage: 21.000-21.200 MHz
 Receiver Type: Single conversion superhet
 VFO Frequency: 5.000-5.200 MHz
 IF Frequency: 16 MHz
 IF Selectivity: 750-Hz ladder filter
 AGC: Audio-derived, instant T/R recovery
 Sensitivity: Better than 21-MHz noise floor
 RIT: 1 KHz range
 Audio: 8 Ohms, speaker or external phones
 Audio Filter (opt): 700-Hz 4-pole active, unity gain
 Receive Current: 50 mA

TRANSMITTER SECTION:

Keying: High-Z, Semi-QSK
 Keyer (opt) Curtis 8044ABM Iambic
 Sidetone: 700-Hz Sinewave
 RF Power Output: > 4 W, Vcc 13.8 V, 50-Ohm Load
 VSWR Tolerance: 3:1 VSWR
 Transmit Current: 1 Amp at 13.8 VDC
 T/R Switch: Semi-QSK, adjustable hold

BLOCK DIAGRAM:

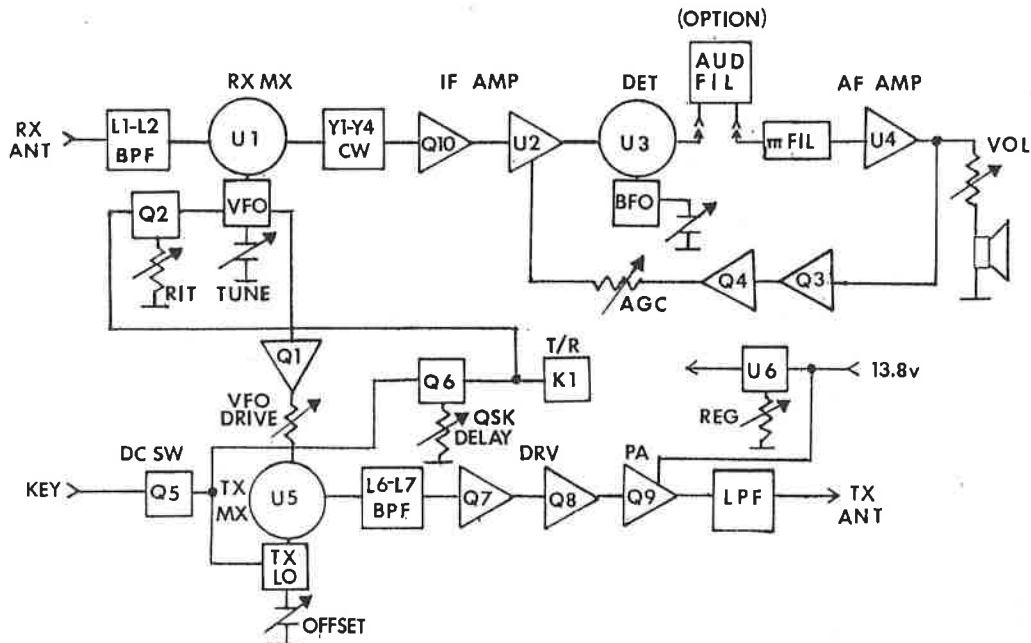


Figure 1.

THEORY OF OPERATION:

If you are technically inclined, read this page for the "inside scoop" on your rig. Please refer to Figure 1.

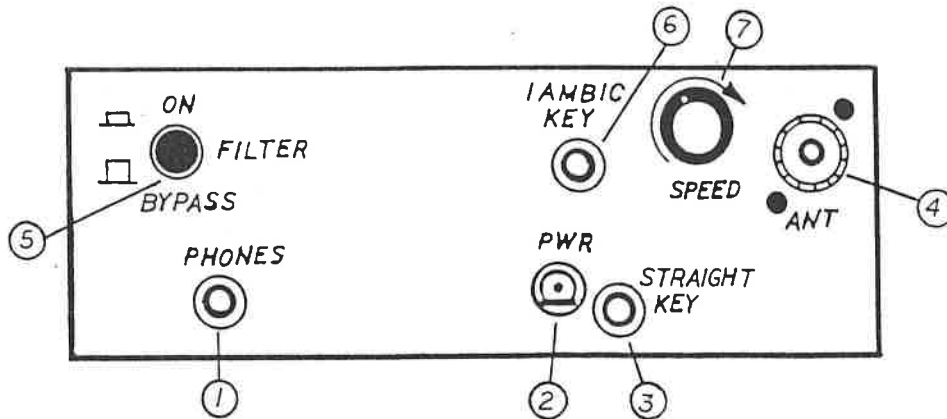
The MFJ-9015 receiver is a single-conversion superhet. Received signals are pre-selected by 4-pole bandpass filter at L1-L2, then amplified and converted to 16-MHz by double-balanced mixer U1. The required 5-MHz VFO signal is generated by U1's internal oscillator section. A varactor RIT circuit (switched at Q2) provides adjustable VFO shift on receive only. The output of mixer U1 is filtered to CW message-channel bandwidth by crystal ladder filter Y1-Y4. Q10 is a FET IF-filter post-amp which provides initial IF gain and establishes a low front-end noise figure for U2. U2 provides IF amplification and gain control. In receive mode, audio-derived AGC maintains constant signal output. During transmit, Q10 is disabled to reduce gain -- but all other receiver stages remain on to generate sidetone. The receiver returns to full gain instantly when Q10 is re-powered.

DBM Product Detector U3 provides audio recovery and gain. A 16-MHz VXO circuit at U3 generates BFO injection. U3 output passes through a pi-section RC filter to reduce wide-band noise. The optional MFJ-726 NARROW AUDIO FILTER is inserted at this point to provide an extremely narrow audio passband response at 700 Hz. Audio Amplifier U4 is configured for full gain to develop AGC feedback at all volume settings. The feedback signal is rectified and amplified through DC amplifiers Q3/Q4 (AGC drive and hang time are set at Q3, and Q4 sets AGC bias for U2). The receiver's volume control is an adjustable attenuator positioned between the output of U4 and the speaker.

To transmit, DC switch Q5 keys TX Mixer U5 and turns on Relay Driver Q6 -- closing T/R relay K1. K1, in turn, switches the antenna and routes unregulated Vcc to Q7-Q9, a TX LED, Q2, and the AGC clamping circuit. RC circuitry at Q6 sets QSK hold. U5 mixes the 5-MHz VFO signal with a 16-MHz Transmit Oscillator signal to produce 21-MHz CW. Buffer Q1 isolates the VFO and sets injection level to U5. The Transmit Oscillator VXO offsets the BFO by 700 Hz -- providing automatic CW offset and enabling the receiver to generate a pure 700-Hz sinewave sidetone. A four-pole bandpass filter at L6-L7 attenuates unwanted mixer products, and follower Q7 matches the high-Q filter to driver Q8. Q8, operating in class AB, excites class C PA stage Q9 through matching transformer T3. T4 matches the output of Q9 into a 50-Ohm 1/2-wave filter which suppresses harmonics and other unwanted transmitter products.

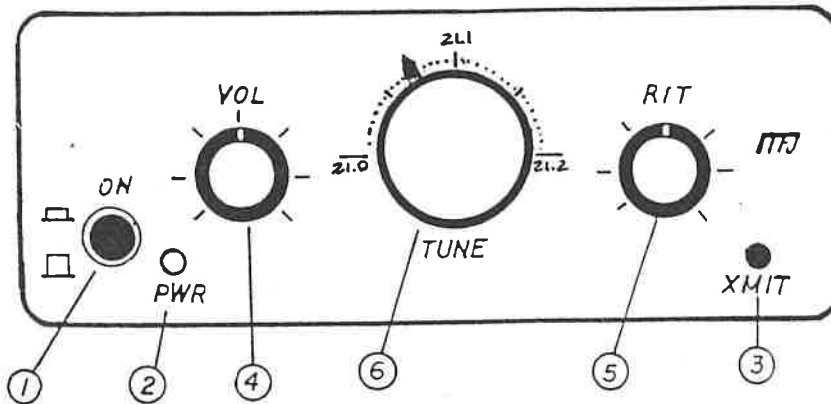
Operating voltage to small-signal stages is regulated at 10.5 VDC by U6. This provides a regulation threshold of approximately 11.75 volts to facilitate 12-Volt battery operation. Individual LM78L05's clamp U1 and U5 at 5 volts Vcc.

MFJ-9015 CONTROL LOCATION AND FUNCTION:



REAR PANEL

1. PHONE JACK: 3.5mm mono jack for low-Z phones or ext. speaker.
2. POWER JACK: 5.5mm OD, 2.1mm ID coaxial, (+) to center pin.
3. KEY JACK: 3.5mm mono jack for handkey (or most keyers).
4. ANTENNA JACK: SO-239 for standard coax plugs.
5. CW FILTER SWITCH: Activates MFJ-726 narrow audio CW filter.
6. IAMBIC KEYSER JACK: 3.5mm stereo jack for iambic keyer paddles.
7. KEYSER SPEED: Sets sending speed of MFJ-412 Iambic Keyer.



FRONT PANEL

1. POWER SWITCH: Turns power on to the transceiver.
2. "PWR" LED: Indicates when radio turned is on.
3. "XMIT" LED: Indicates when radio is transmitting.
4. VOLUME: Adjusts speaker or headphone volume level.
5. RIT: Shifts receiver frequency.
6. VFO TUNE: Selects transceiver operating frequency.

SETTING UP YOUR MFJ-9015 QRP STATION:

To put the MFJ-9015 on the air, you'll need a power source, a 15-Meter antenna, and a key (headphones optional). Here are some specific suggestions to help you get started:

1. POWER SOURCE: 12-15 V @ 1.2 A, (+) TO CENTER PIN

The MFJ-4114 RECHARGING AC/BATTERY PACK SUPPLY and MFJ-4110 COMPACT AC WALL ADAPTER SUPPLY are especially designed for the MFJ-9015. However, you may use any well-filtered 12-15 volt 1.2 Amp source (sources under 12 volts are insufficient to operate the transceiver's voltage regulator and should be avoided). A full 13.8 volts is required to achieve full RF output. The power connector at the rear of your MFJ-9015 is a 5.5mm OD, 2.1mm ID coaxial type jack. Extra plugs are available from local Radio Shack stores under part number 274-1567. Make sure you connect the plus (+) lead to the CENTER PIN of the transceiver power plug. For portable operation, install NiCd D-cells in your MFJ-4114 power pack, or connect a 12-15 volt battery directly to the MFJ-9015 power jack. Replace or recharge when key clicks appear on the sidetone (your first indication that battery voltage is falling below the transceiver's voltage regulator threshold).

2. KEY/KEYER: ACCEPTS MOST TYPES -- USE 3.5mm MONO PLUG

The MFJ-9015 hi-Z keying circuit operates with mechanical keys, relay-output keyers, and most electronic keyers. The "straight-key" jack accepts a standard 3.5mm monaural miniplug. If you wish to plug your paddles directly into the radio, install the optional MFJ-412 CURTIS IAMBIC KEYER MODULE (this accepts a 3.5mm stereo miniplug). You may continue to use a straight-key in normal fashion with the keyer module installed.

3. ANTENNA: VSWR 3:1 OR LESS

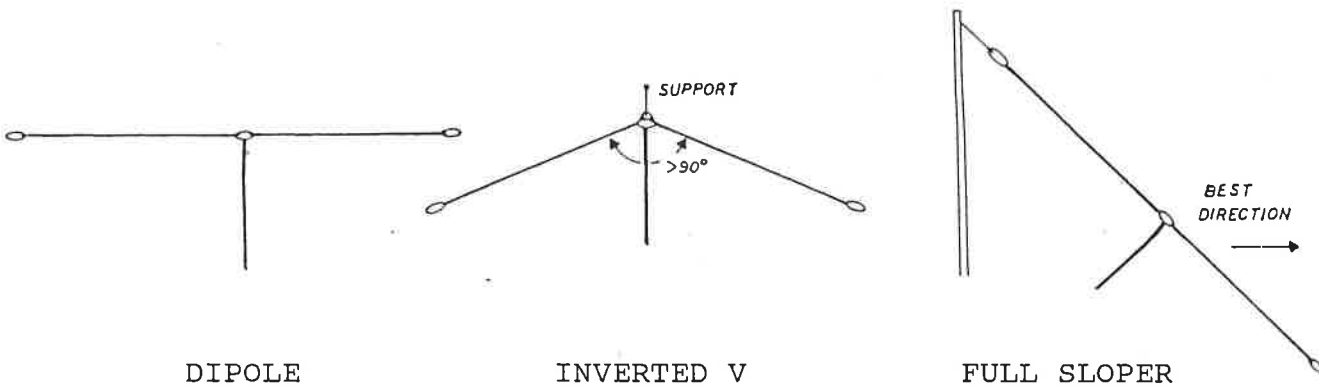
The MFJ-9015 is tolerant of reactive loads, and accepts virtually any 15-Meter antenna with a VSWR of 3:1 or less. To get on the air, hook your regular station antenna to the transceiver's SO-239 connector -- or install a dedicated 15-Meter CW-band dipole such as the MFJ-1770. For non-resonant wire antennas, use a tuner such as the MFJ-971 which features a user-selectable 6-watt SWR range for QRP operation. Avoid operating into unmatched high-SWR antennas. This could result in transmitter instability and the generation of out-of-band spurious signals in violation of FCC rules. For specific QRP antenna suggestions, see "QRP Operating Tips" and "Simple 15-Meter Antennas".

4. HEADPHONES: 8-16 Ohm is Best.

If you use phones, consider purchasing a low-Z monaural set like the Radio Shack #20-210 communications headset.

SIMPLE 15-METER ANTENNA SUGGESTIONS:

COAXIAL-FED DIPOLES: A CW-band wire dipole should measure about 22'4" (11'- 2" each leg). Feed with RG-58U or RG-8X; raise high and in the clear for best performance. If you have only one high support, make an inverted V. The "full sloper" (sloping dipole) is also an excellent single-support antenna with directivity.

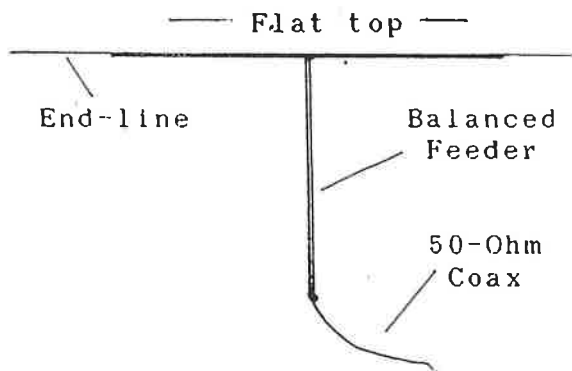


DIPOLE

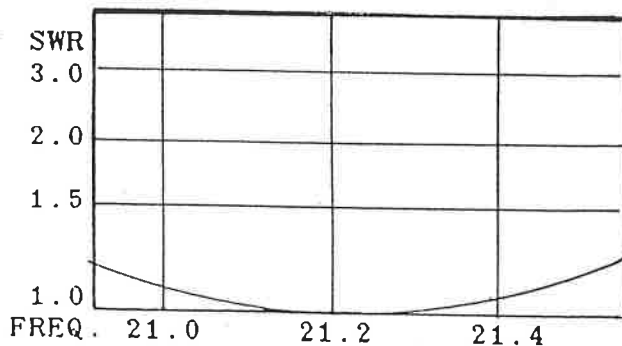
INVERTED V

FULL SLOPER

MFJ-1770 PORTABLE DIPOLE: As an alternative to making a coax-fed dipole, consider purchasing the pre-assembled MFJ-1770 antenna. This is a no-compromise 15-Meter folded dipole complete with 30' of feedline -- all made from light-weight 300-Ohm twinlead. Connect a random length of coax from the MFJ-1770 feedline to your rig and let the antenna's built-in 50-Ohm matching network do the rest. The antenna is pre-tuned, easy to handle, and very broad-banded!



MFJ 1770 DIPOLE



TYPICAL SWR CURVE

WARNING: CONSTRUCTING OR ERECTING AMATEUR RADIO ANTENNAS IN LOCATIONS WHERE THEY MAY COME INTO CONTACT WITH ELECTRICAL POWER LINES MAY RESULT IN ACCIDENTAL INJURY OR DEATH!

GETTING THE MOST FROM YOUR QRP STATION:

Spanning the globe with less power than it takes to light a Christmas-tree bulb is not only exciting, it borders on the miraculous. Yet, despite the vast distances involved, QRP enthusiasts consistently reach every corner of the planet -- sometimes running only microwatts! How do they do it? Here are some proven tips to help you work great DX with your MFJ-9015:

GROOM YOUR ANTENNA:

For beams or multi-band verticals, inspect and clean all traps and contacting surfaces. Replace corroded hardware, dirty connectors, and aging coax. Retune for minimum SWR in the CW band. Verticals (1/4 or 5/8-wavelength) require 4 good 21-MHz radials. Add them if needed.

Raise wire dipoles high and in the clear -- 30 to 60 feet is far superior to 10 or 20. Carefully prune for minimum SWR. If you have only one high support, install an inverted V or sloper.

For best results, try to avoid "compromise" multi-band wire antennas; efficient resonant 15-meter antennas are fairly short and require only a small space to erect. When it comes to pure operating enjoyment, every dB you gain at the antenna pays off!

USE PROVEN DX OPERATING TECHNIQUES:

Be a good listener. Searching out and answering CQ's yields more contacts than repeatedly calling CQ.

When you DO call CQ, try signing "/QRP" at least once so stations will know you are running low power.

Never hesitate to call a weak DX station. They may be running low power or using a marginal antenna. You may be loud!

Be persistent. You may have to wait until the "big guns" make contact and move on. It pays to hang around.

Look before you leap. Wait for a momentary lull in the pile-up, then quickly slip in your call.

Set the VFO slightly up or down frequency and use the RIT control to tune in your station. This way, you'll transmit above or below the pileup -- increasing your chance of being heard.

Let DX stations know you are QRP by signing "/QRP" at the end of your call. If they hear "QRP", they may ask others to stand by.

Pay attention to DX forecasts and gray-line propagation. When the band is hot, power difference become less significant.

FIELD DAY AND OTHER "DX-PEDITION" OPERATING HINTS:

The MFJ-9015 is rugged, but you may want to consider your radio's limitations before you throw it into a backpack and head for Grand Cayman Island.

1. The MFJ-9015 case is an attractive matte-black -- not unlike the surface of a solar collector. For that reason, we recommend confining outdoor operation to shady areas!
2. The MFJ-9015 has no SWR over-protection. It is up to you to prevent the PA-stage from "taking off" into parasitic oscillation by providing a reasonable antenna. This means no bedsprings or barbed-wire fences (at least without a tuner).
3. Romps on sandy beaches and white-water canoe rides are great fun for humans, but not always good for radios. Sealing your MFJ-9015 in a plastic bag will keep it protected in transit.

NOTES TO NOVICES:

The MFJ-9015 is a great way for beginning hams to explore the excitement of world-wide DX without taking on the expense and complexity of a digital multi-band rig. When you set up your rig, here are some tips to help you get started.

1. Ask for assistance. Check out your local radio club or repeater group for someone with technical competence who might be willing to inspect your installation. And, once get on the air and begin to learn the fine art of serious DX hunting, seek some coaching from a "pro" DX'er in your area. A helping hand can add a lot to your enjoyment of the hobby!
2. The MFJ-9015 employs an analog-type VFO dial which has less frequency resolution than digital readouts (it also consumes much less power). To avoid accidentally transmitting outside the Novice sub-band (21.100-21.200 MHz), allow at least 5 kHz margin from the band-edge when calling CQ or responding to other stations.
3. Use the MFJ-9015 to build up your code speed for license upgrade. You may be able to receive regularly-scheduled code practice sessions in your area from W1AW or other stations. Also, listen to stations operating in the higher-class license portions of the band. Don't be afraid to push your limits!

IMPORTANT NOTE: Your MFJ-9015 VFO was factory-aligned and re-checked for accuracy prior to shipment. However, FCC rules specify amateurs are solely responsible for monitoring the frequency of transmitted signals. MFJ cannot be held responsible for dial error resulting from rough handling or component aging in the field once your transceiver has left the factory.

IN CASE OF TROUBLE:

CHECK IT OUT FIRST, THEN CALL 800 647-TECH (800 647-8324). Your MFJ-9015 is backed for one full year by MFJ's unconditional "NO MATTER WHAT GUARANTEE". This means MFJ will repair or replace ANYTHING that goes wrong with your radio for the first year -- no matter what! And, MFJ Customer Service Technicians will be there to help you keep your rig in top shape or as long as you own it. However, before you call the factory with a problem, we ask that you check through this list of common problems first -- just to make sure it isn't something simple you can fix yourself!

1. RADIO WILL NOT POWER UP:

Check Power Plug -- is it loose? Broken supply wire?
Check Power Source -- is power supply or battery okay?
Check polarity protection fuse -- thin pc track fuse opens when (+) and (-) leads are reversed (see page 12 for location).

2. NO SIGNALS RECEIVED:

Check Antenna -- disconnected? Broken or shorted leads?
Check Propagation -- geomagnetic storm? Dead band?

3. NO AUDIO:

Check Phone Jack -- is plug inserted defeating the speaker?
Check Headphones -- broken wire or shorted plug?

4. WON'T TRANSMIT, KEYS ERRATICALLY:

Check Key Plug or Keyer -- is key making contact? Broken wire?
Check Power source -- is it powerful enough to operate radio?

5. KEY CLICKS ON SIDETONE, LOUD SIDETONE:

Check Power Source -- is it at least 12V under full load?

6. ERRATIC OPERATION ON TRANSMIT:

Check SWR -- is antenna mis-adjusted or damaged?

7. RECEIVER INSENSITIVE OR AGC INEFFECTIVE:

Check TP-1, set AGC pot for 4.0 V reading (no signal).

8. RECEIVER INSENSITIVE, VOLUME LOW:

Check TP-2, set REG pot for 10.5 V.

9. EXCESSIVE VFO DRIFT:

Check Temperature -- case heating in Sun? Rig on warm surface?

10. SIDETONE HIGH OR LOW IN FREQUENCY:

Check TX FREQ trimmer, readjust for a 700-Hz tone in speaker.

If these checks don't uncover the problem, or if you don't feel qualified to make the prescribed adjustments, please call us for help at 800 647-TECH (800 647-8324).

FIELD ALIGNMENT PROCEDURES FOR THE MFJ-9015 TRANSCEIVER:

SPECIAL TOOLS, PARTS, TEST EQUIPMENT:

1. AC Power Supply, MFJ-4114 or 13.8 Volts @ 1.5 Amps
2. Sensitive Voltmeter (DVM or Analog)
3. Non-inductive Alignment Tool kit
4. Frequency Counter
5. QRP Wattmeter with 50-Ohm Resistive Dummy Load
6. 21-MHz Signal Generator or Weak Signal Source
7. (Optional) General Coverage Receiver -- Digital Readout

INITIAL TEST SET-UP: (see diagram on page 12)

- A. Remove transceiver cover.
- B. Connect 13.8 Volts Power Supply to Power Jack.
- C. Connect Key to Jack.
- D. Remove CW Filter and Keyer modules if installed.
- E. Install shorting clip on pins 2 and 3 of CW Filter Header.
- F. Turn on unit.

VOLTAGE CHECKS AND ADJUSTMENTS: (use voltmeter)

- A. VOLTAGE REGULATOR: 10.5 V at TP2, adj. REG trimpot.
- B. RECEIVER AGC: 4.0 Volts at TP1, adj. AGC trimpot.
- C. RIT: Approx 5.3 Volts at TP3 when RIT knob at 12:00.

VFO CALIBRATION:

- A. Tune VFO dial to 21.100 MHz (mid-band).
- B. Place freq. counter probe near (but not on) ant jack.
- C. Key radio and adjust VFO CAL (L3) for 21.100 MHz.

BFO FREQUENCY CHECK AND ALIGNMENT:

- A. Connect Voltmeter to TP1 to read AGC voltage.
- B. Connect Frequency Counter to speaker output.
- C. Apply 21.100 MHz signal source to antenna jack.
- D. Tune in signal for maximum AGC voltage at TP1.
- E. Adjust Volume for a stable counter reading.

NOTE: Best performance occurs when maximum AGC voltage at TP1 coincides with 700 Hz audio output. If maximum AGC occurs when CW tone is significantly above or below 700 Hz, adjustment is required. If okay, skip BFO alignment and move on.

- F. Reset BFO Trimcap until Voltmeter peak coincides with 700 Hz tone.
- G. To check suppression of opposite sideband -- tune through zero beat. Little or no signal should be audible on the low side. If suppression is poor, increase BFO freq. slightly (200 Hz) and recheck.
- H. Confirm BFO is on correct sideband -- signal note should increase in pitch as you tune up the band.

NOTE: If BFO is on wrong sideband, use a general coverage receiver to pick up the BFO signal (just below 16 MHz). Set the general coverage receiver dial to 15.994.7 MHz -- and adjust BFO trimcap for zero beat (for ballpark setting). Now, repeat the BFO procedure described above (for exact setting).

TRANSMITTER OSCILLATOR OFFSET (SIDETONE) ADJUST:

- A. Connect dummy load to antenna jack.
- B. Connect frequency counter to speaker output.
- C. Key transmitter, adjust TX FREQ trimcap for 700 Hz sidetone note.

RECEIVER SENSITIVITY CHECK:

- A. Connect 21.100-MHz signal source to antenna jack.
- B. Connect voltmeter to TP1 (AGC voltage)
- C. Tune in signal source for maximum AGC indication.
- D. Carefully touch up RX1, RX2, IF1, IF2 for max SIG Meter reading.

TRANSMITTER BANDPASS FILTER ALIGNMENT:

- A. Connect QRP Wattmeter with dummy load to ANT Jack.
- B. Key transmitter, adjust VFO trimpot CCW for 3-W Po.
- C. Carefully touch up TX1 and TX2 for peak output.

TRANSMIT MIXER LEVEL:

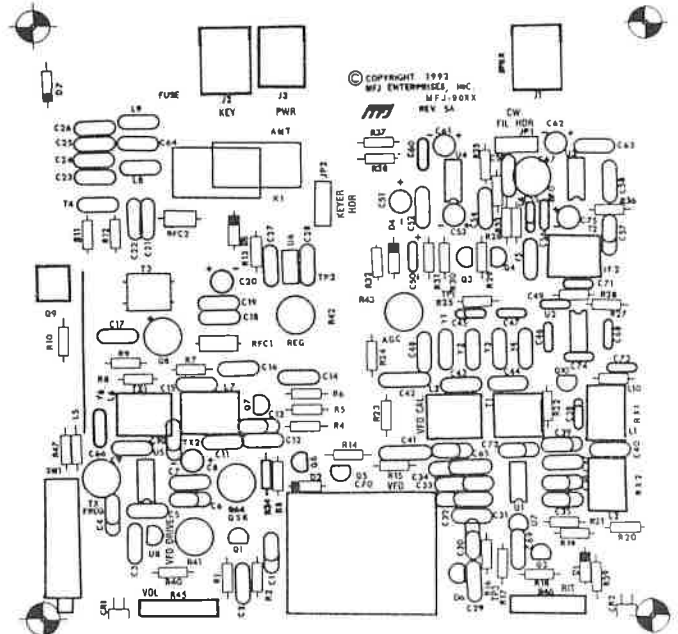
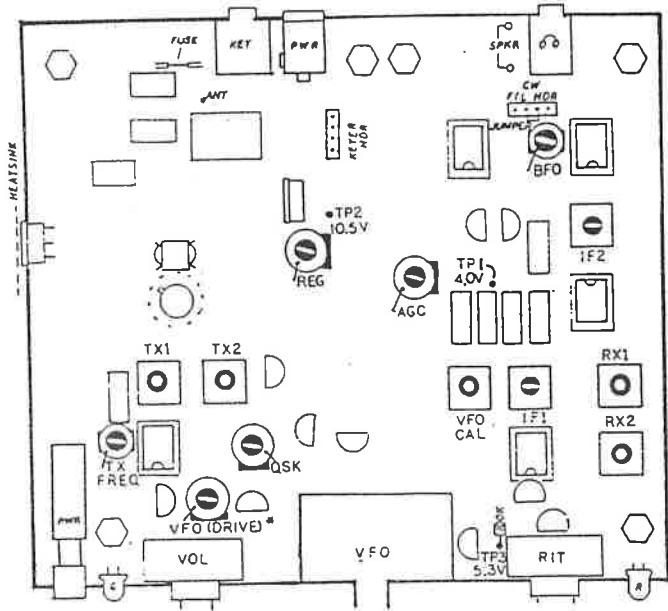
- A. Turn VFO Trimpot fully CCW. Key rig.
- B. Advance VFO Trimpot CW while watching RF output level. RF output should increase rapidly. Continue CW until further rotation has a visibly reduced effect on output power (indicating mixer gain compression). Stop.
- C. Turn VFO trimpot CCW to locate exact point where power starts to drop off rapidly (linear operation).
- D. Set VFO Trimpot at TOP of linear region -- the point where further CW movement JUST BEGINS to have reduced effect on RF output power. NEVER ALLOW YOUR FINAL POWER SETTING TO EXCEED 4.5 WATTS OUTPUT.

CAUTION: On some radios, turning the VFO Trimpot fully CW may show some increase in RF output. However, most of this "added power" will be spurious out-of-band energy generated by the overdriven transmitter mixer. Mixer drive MUST be set as outlined above -- or with the aid of a lab-quality spectrum analyzer -- for the MFJ-9015 transmitter to comply with FCC Standards.

NOTE: The FCC requires HF QRP transmitters to exhibit at least 30 dB suppression of unwanted harmonics and spurious products. A properly adjusted MFJ-9015 will easily exceed FCC requirements.

This completes field alignment of the MFJ-9015 Transceiver. If your transceiver fails to operate properly after following these procedures and adjustments, please call 800 647-TECH (800 647-8324) for help -- or return the unit to MFJ for authorized service.

INTERNAL ADJUSTMENT LOCATIONS AND PARTS PLACEMENT, MFJ-9015:



* If reverse-polarity track-fuse opens, install a miniature 1.5-A pigtail fuse or a 3/4" hair-pin loop of #32 wire.

DC VOLTAGE CHART - TROUBLESHOOTING GUIDE:

For advanced troubleshooters, the following are typical DC voltages found in the MFJ-9015.

- Vcc = 13.5 (Supply Voltage)
- TP-1 = 4.0 (AGC Bias Voltage)
- TP-2 = 10.5 (LM-317 Regulated Voltage)
- TP-3 = 5.3 (Zero shift RIT Voltage)

INTEGRATED CIRCUITS:

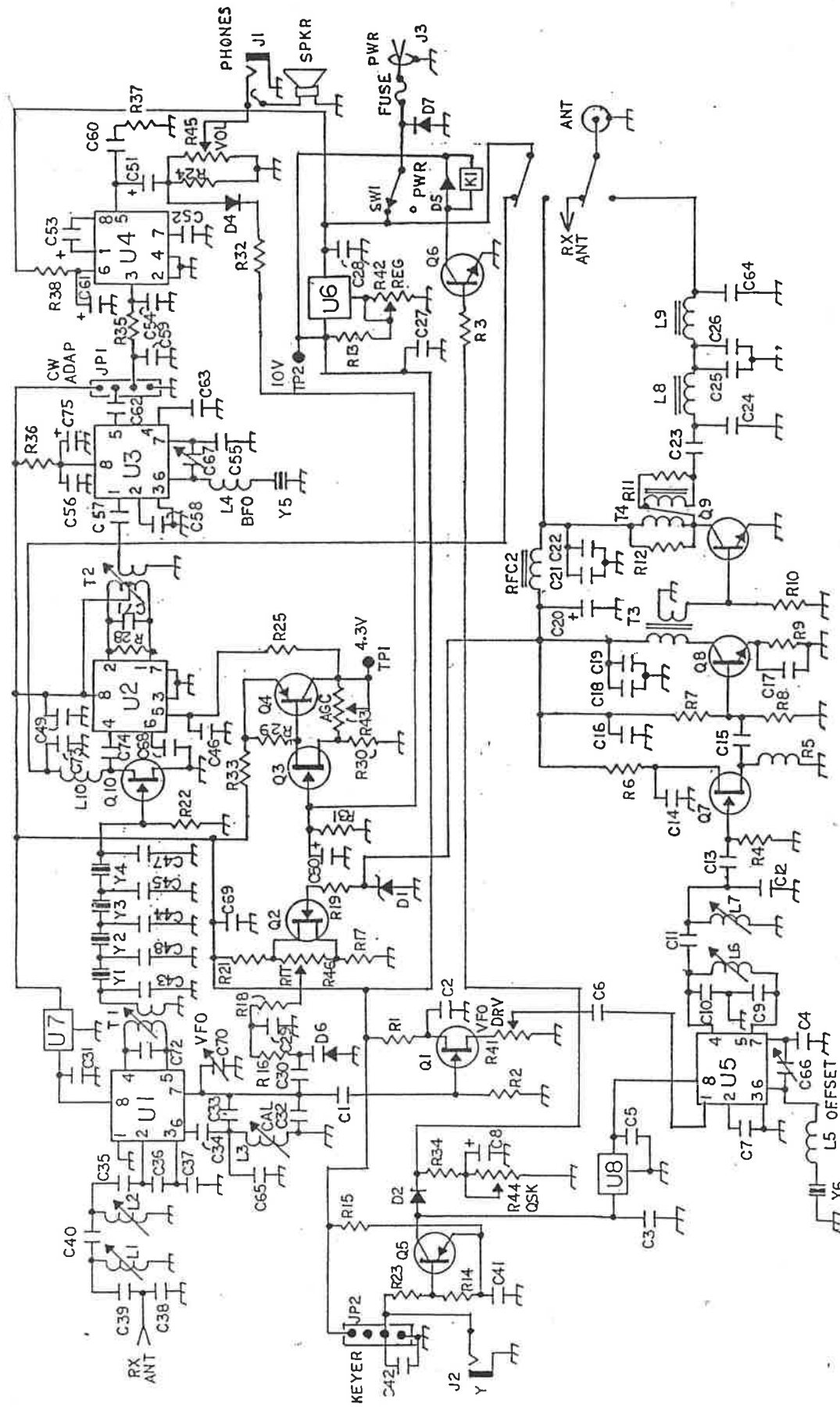
Pin	RX				TX
	U1	U2	U3	U4	U5
1	1.3	9.4	1.3	1.4	1.3
2	1.3	9.4	1.3	0.0	1.3
3	0.0	0.0	0.0	0.0	0.0
4	3.8	3.1	3.8	0.0	3.8
5	3.8	4.3	3.8	6.8	3.8
6	5.0	3.1	5.1	13.3	5.0
7	4.5	0.0	4.5	6.6	4.5
8	5.0	9.4	5.2	1.4	5.0

BIPOLAR AND JFET DEVICES:

	RX						TX		
	Q1	Q2	Q3	Q4	Q5	Q6	Q7	Q8	Q9
D/E = Drain/Emitter	10.2	3.6	9.6	10.1	10.4	----	12.7	.14	----
S/B = Source/Base	1.8	6.8	2.8	9.4	10.3	----	1.9	.8	----

MFJ-9015 Parts List

DESIGNATION	DESCRIPTION	MFJ PART #	DESIGNATION	DESCRIPTION	MFJ PART #
C1	22pF, 50V Multilayer	205-0022	K1	12V Relay	408-2035
C2,14,17,19,21,23,27,28	.1UF, 50/100V Disc	200-0005	L1,2,6,7	10-4-01 Inductor	402-3401
C31,49,52,56,58,60,68,69	.1UF, 50/100V Disc	200-0005	L3	6.5uH Inductor	402-3406
C3,5,7,16,37,41,42,46	.01uF, 25/50V Disc	200-0004	L4,5	4.7uH Inductor	401-0099
C63,73	.01uF, 25/50V Disc	200-0004	L8,9	10T Inductor	10-10100
C4,55	47pF, 50V Multilayer	205-0021	L10	22uH Inductor	401-0046
C6	100pF, 50V Disc	200-0003	Q1,2,3,7,10	2N5486	305-6004
C8	22uF, 16V Electrolytic	203-0013	Q4,5	2N3906	305-0002
C9,10	120pF, 50V Multilayer	205-0120	Q6	2N3904	305-0001
C11	4.7pF, 50V Disc	200-0012	Q8	2N5109	305-0017
C12,39	56pF, 500V Disc	200-1056	Q9	MRF-476	305-5476
C13,74	100pF, 50V Multilayer	205-0100	R1,10,13,15,24,27,33	100 ohm, 1/4 Watt	100-0003
C15,18,22,29	0.001 uF, 1Kv Disc	200-2024	R2,4,14,16	100K ohm, 1/4 Watt	100-0029
C20,53,75	10uF, 35V Electrolytic	203-0012	R3,17,21,25,28,29	10K ohm, 1/4 Watt	100-0017
C24,25,26,64	150pF, 500V SM	208-0150	R5	27uH, Inductor	401-0078
C30	10pF, 50V Multilayer	205-0010	R6	270 ohm, 1/4 Watt	100-0007
C32	270pF, 50V Multilayer	205-0270	R7,23,35	4.7K ohm, 1/4 Watt	100-0014
C33	330 pF, 50V Multilayer	205-0330	R8	470 ohm, 1/4 Watt	100-0009
C34	.1UF, 50V Multilayer	205-2210	R9	10 ohm, 1/4 Watt	100-0111
C35	180pF, 50V Multilayer	205-0180	R11,12	220 ohm, 1/4 Watt	100-0005
C36	56pF, 50V Multilayer	205-0056	R18,19	47K ohm, 1/4 Watt	100-0023
C38	270pF, 50V Multilayer	205-0270	R20,30,34	1K ohm, 1/4 Watt	100-0010
C40	3.3pF, 500V Disc	200-1003	R22	330 ohm, 1/4 Watt	100-0074
C43,47	330pF, 500V Disc	200-1006	R31	1M ohm, 1/4 Watt	100-0040
C44	560pF, 500V Disc	200-1560	R32	3.3K ohm 1/4 Watt	100-0013
C45,48	470pF, 50V Multilayer	205-0470	R36,39,40	2.2K ohm, 1/4 Watt	100-0012
C50	2.2uF, 16V Tan.	203-8022	R37	15 ohm, 1/4 Watt	100-0075
C51,61	100uF, 16V Electrolytic	203-0003	R38	22 ohm, 1/4 Watt	100-0112
C54,59	.047uF, 50V Disc	200-0031	R41,42,43	1K ohm, Trimpot	104-4001
C57	0.001uF, 50V Multilayer	205-1010	R44	100K ohm, Trimpot	104-4004
C62	2.2uF, 35V Electrolytic	203-0002	R45	250 ohm, Pot	105-0007
C65,71,72	18pF, 50 Multilayer	205-0018	R46	10K ohm, Pot	105-0002
C66,67	12-100pF, Trimmer Cap	204-0010	RFC2	4.7uH Inductor	401-0099
C70	5-50pF, 750V Tuning Cap	204-5050	SW1	Switch	504-0022
CR1	MV5753 Red LED	320-0001	T1,2	25K:1K Inductor	402-3123
CR2	Green LED	320-0002	T3	3:1 Transformer	10-10090
D1	1N5235	301-5235	T4	7T Toroid	10-10047
D2,3,4,5	1N4148	300-0003	U1,3,5	NE602	311-1602
D6	MV2104	315-2104	U2	MC1350P	311-1045
D7	1N4001	300-1004	U4	LM386	311-0386
J1,2	3.5mm Stereo	601-5003	U6	LM317T	307-1021
J3	2.1mm Coaxial	601-6021	U7,8	78L05AC	307-0010
JP1,2	4-Pin Header	612-0014	Y1,2,3,4,5,6	16MHz Crystal	405-0067



(14)

SCHEMATIC DIAGRAM, MFJ-9015

FULL 12 MONTH WARRANTY

MFJ Enterprises, Inc. warrants to the original owner of this product, if manufactured by MFJ Enterprises, Inc. and purchased from an authorized dealer or directly from MFJ Enterprises, Inc. to be free from defects in material and workmanship for a period of 12 months from date of purchase provided the following terms of this warranty are satisfied.

1. The purchaser must retain the dated proof-of-purchase (bill of sale, canceled check, credit card or money order receipt, etc.) describing the product to establish the validity of the warranty claim and submit the original of machine reproduction or such proof of purchase to MFJ Enterprises, Inc. at the time of warranty service. MFJ Enterprises, Inc. shall have the discretion to deny warranty without dated proof-of-purchase. Any evidence of alteration, erasure, of forgery shall be cause to void any and all warranty terms immediately.
2. MFJ Enterprises, Inc. agrees to repair or replace at MFJ's option without charge to the original owner any defective product provided the product is returned postage prepaid to MFJ Enterprises, Inc. with a personal check, cashiers check, or money order for \$7.00 covering postage and handling.
3. MFJ Enterprises, Inc. will supply replacement parts free of charge for any MFJ product under warranty upon request. A dated proof of purchase and a \$5.00 personal check, cashiers check, or money order must be provided to cover postage and handling.
4. This warranty is **NOT** void for owners who attempt to repair defective units. Technical consultation is available by calling (601) 323-5869.
5. This warranty does not apply to kits sold by or manufactured by MFJ Enterprises, Inc.
6. Wired and tested PC board products are covered by this warranty provided **only the wired and tested PC board product is returned**. Wired and tested PC boards installed in the owner's cabinet or connected to switches, jacks, or cables, etc. sent to MFJ Enterprises, Inc. will be returned at the owner's expense unrepai red.
7. Under no circumstances is MFJ Enterprises, Inc. liable for consequential damages to person or property by the use of any MFJ products.
8. **Out-of-Warranty Service:** MFJ Enterprises, Inc. will repair any out-of-warranty product provided the unit is shipped prepaid. All repaired units will be shipped COD to the owner. Repair charges will be added to the COD fee unless other arrangements are made.
9. This warranty is given in lieu of any other warranty expressed or implied.
10. MFJ Enterprises, Inc. reserves the right to make changes or improvements in design or manufacture without incurring any obligation to install such changes upon any of the products previously manufactured.
11. All MFJ products to be serviced in-warranty or out-of-warranty should be addressed to MFJ Enterprises, Inc., 921A Louisville Road, Starkville, Mississippi 39759, USA and must be accompanied by a letter describing the problem in detail along with a copy of your dated proof-of-purchase.
12. This warranty gives you specific rights, and you may also have other rights which vary from state to state.