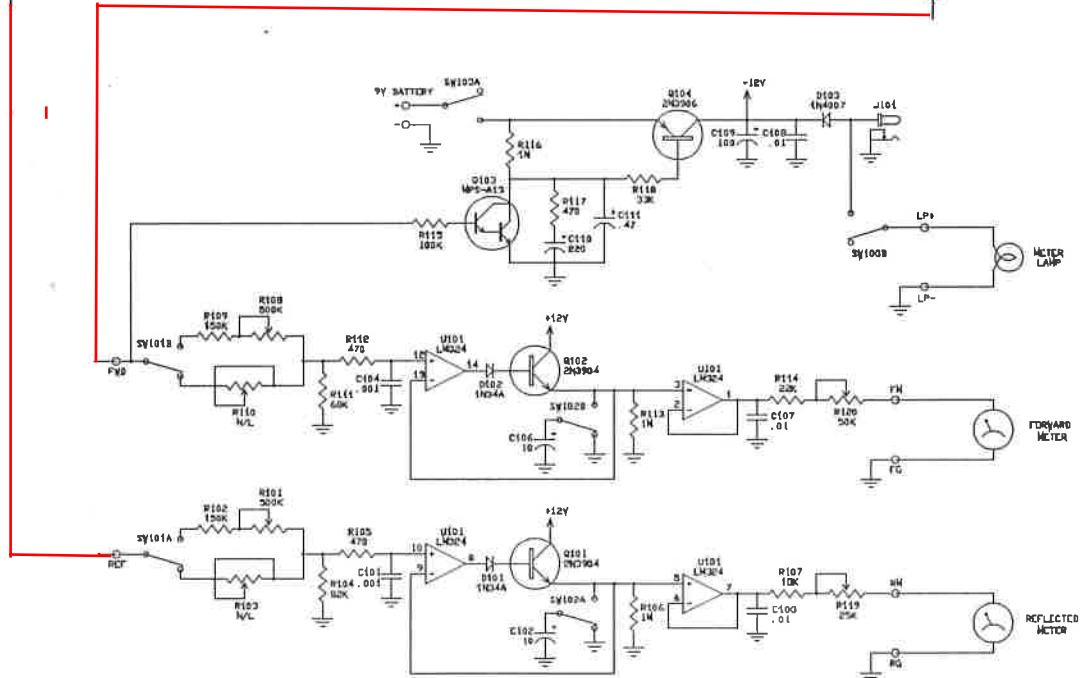
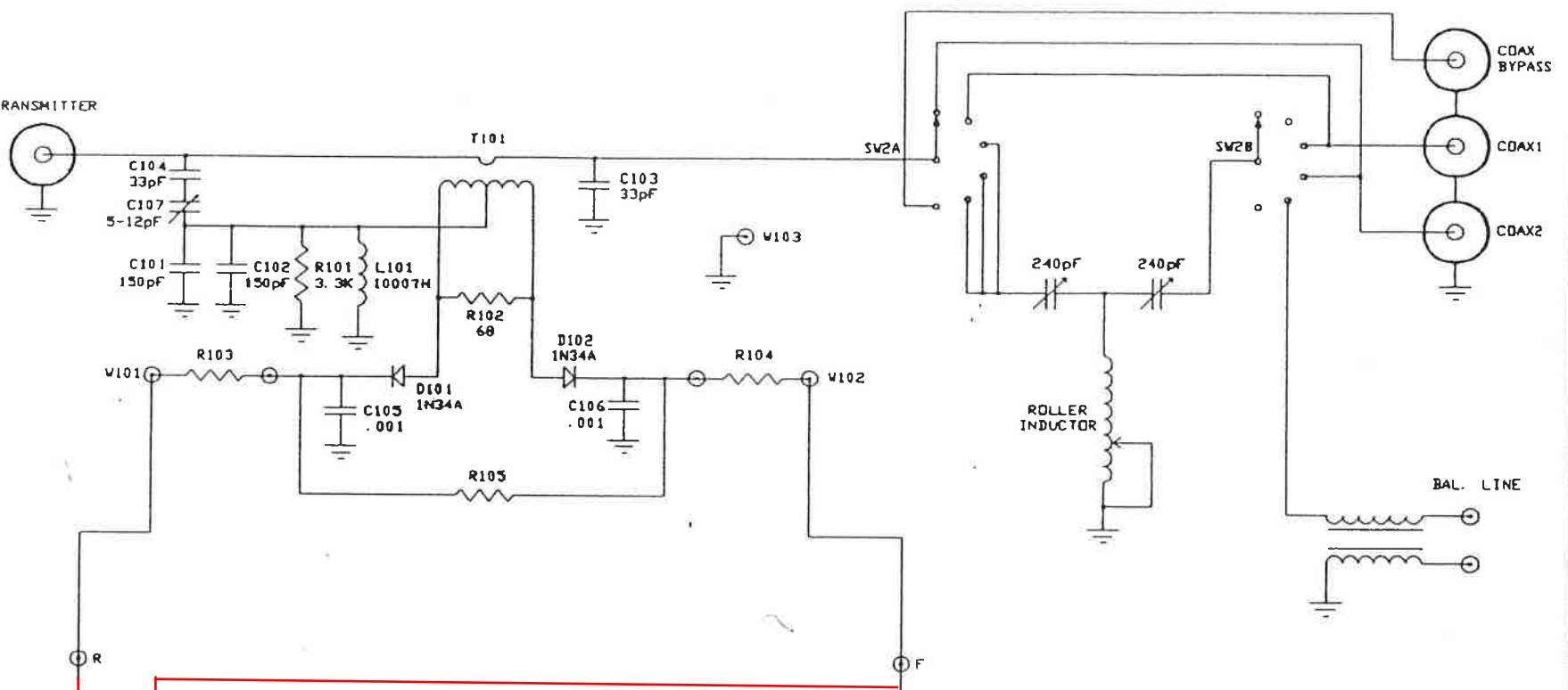


TRANSMITTER



NOT LOADED: R105, R202, C205, D201, D202, Q201
 RESISTANCE VALUES ARE IN OHMS
 CAPACITANCE VALUES ARE IN MICROFARADS
 UNLESS OTHERWISE SPECIFIED

MODEL NO.	REVISION	PCB SIZE	
MFJ-962D	5	862-0989C	SHEET 1 of 1
VERSA TUNER III			
DATE	PC BOARD	MFJ ENTERPRISES, INC.	
04/04/97	M989C_4	300 INDUSTRIAL PARK RD	
DESIGNED	DESIGN BY	STARKVILLE, MS 39759	
	C. PERRY		