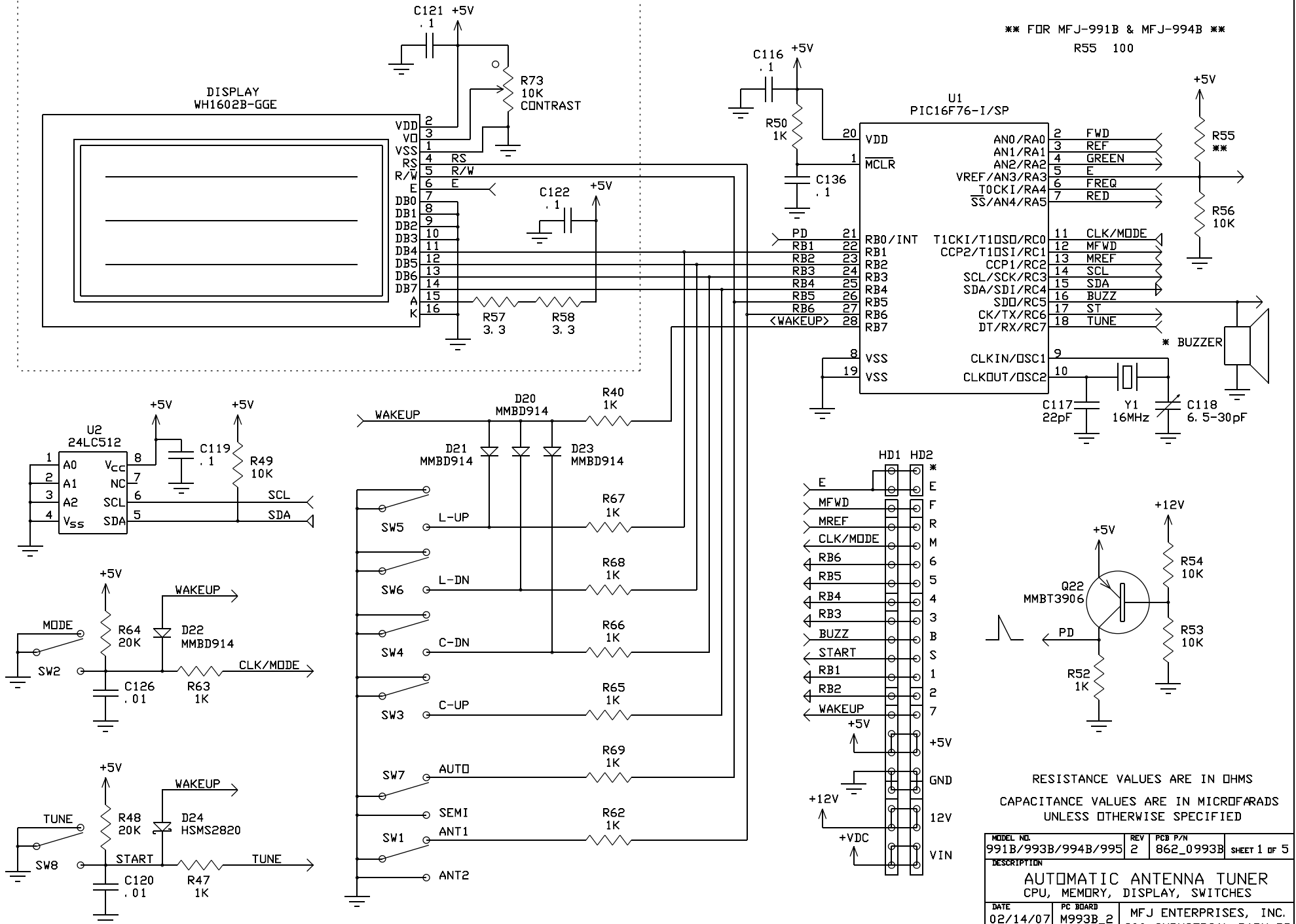


MFJ-993B & MFJ-995 ONLY

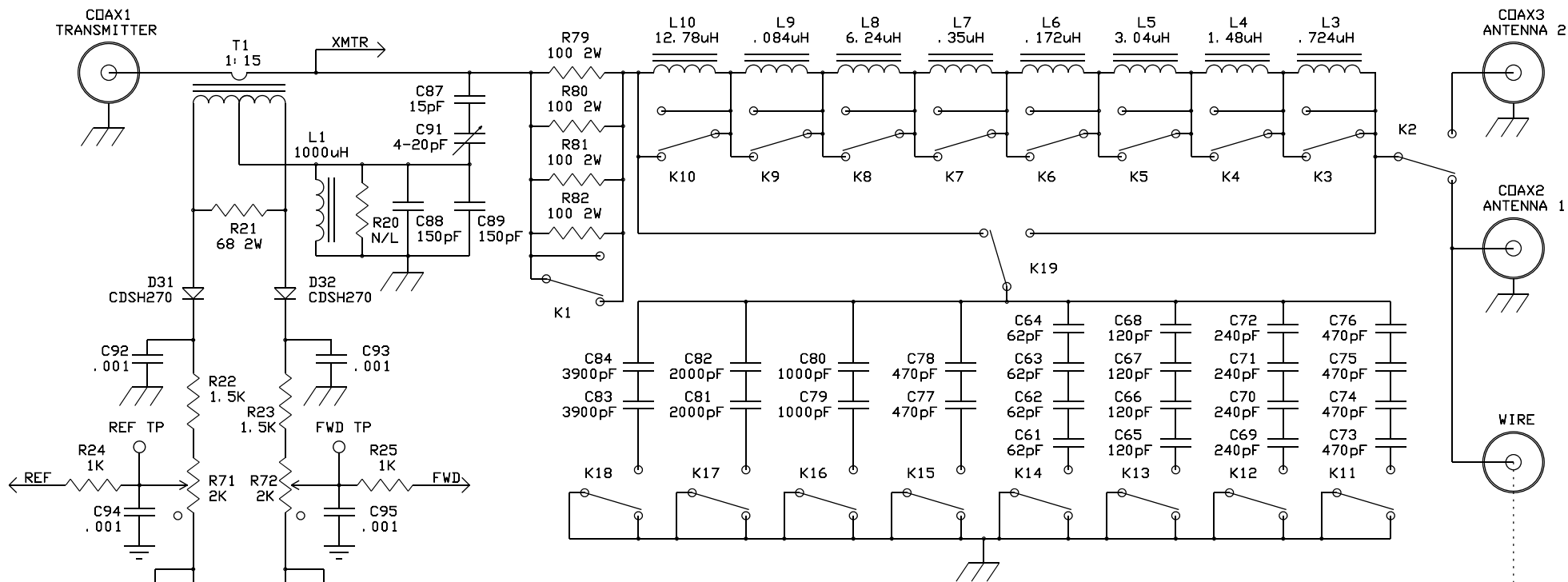
** FOR MFJ-991B & MFJ-994B **
R55 100



RESISTANCE VALUES ARE IN OHMS
CAPACITANCE VALUES ARE IN MICROFARADS
UNLESS OTHERWISE SPECIFIED

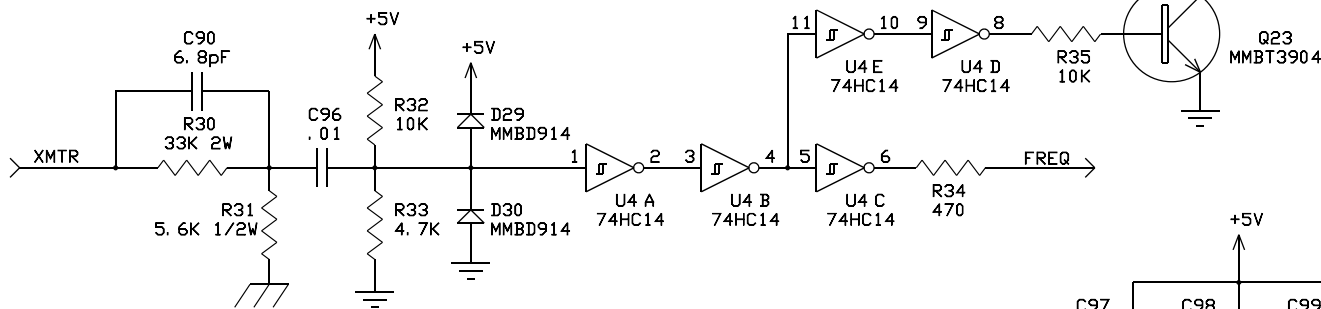
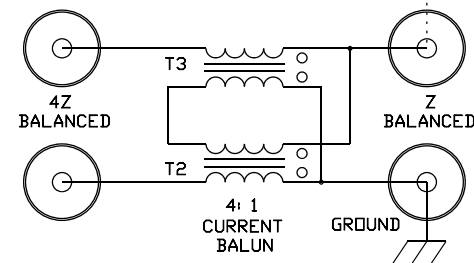
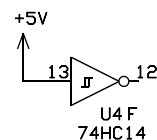
MODEL NO. 991B/993B/994B/995	REV 2	PCB P/N 862_0993B	SHEET 1 OF 5
DESCRIPTION AUTOMATIC ANTENNA TUNER CPU, MEMORY, DISPLAY, SWITCHES			
DATE 02/14/07	PC BOARD M993B_2	MFJ ENTERPRISES, INC. 300 INDUSTRIAL PARK RD STARKVILLE, MS 39759	
ENGINEER H. WONG	DRAWN BY H. WONG		

* USE BUZZER OR SPEAKER (SEE SHEET #5).



*** FOR MFJ-994B & MFJ-995 ***

- R28 2.2K
- R29 2.2K
- C83 2000pF
- C84 2000pF
- L3 .35uH (T106-2, 18AWG)
- L4 .724uH (T106-2, 18AWG)
- L5 5.68uH (T157-2, 14AWG)
- L7 5.68uH (T157-2, 14AWG)
- L8 1.48uH (T106-2, 18AWG)
- L10 3.04uH (T106-2, 18AWG)

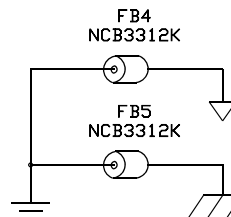
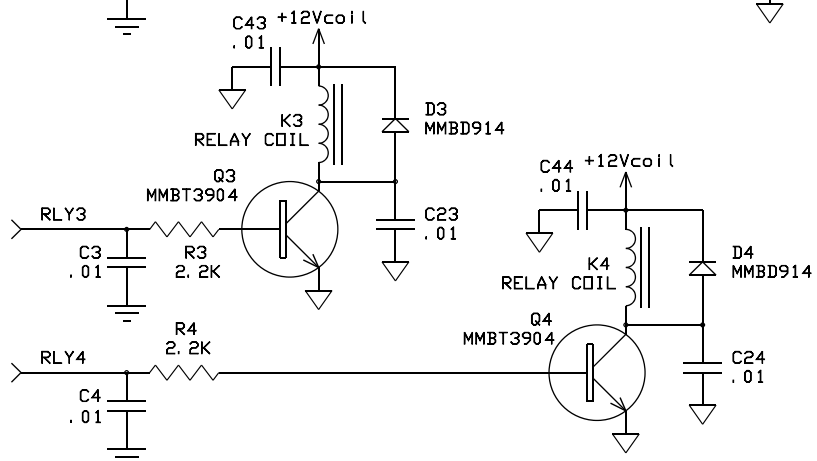
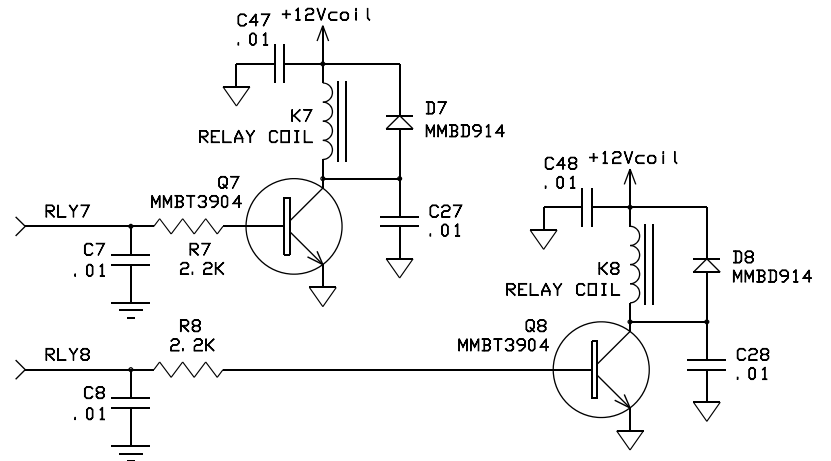
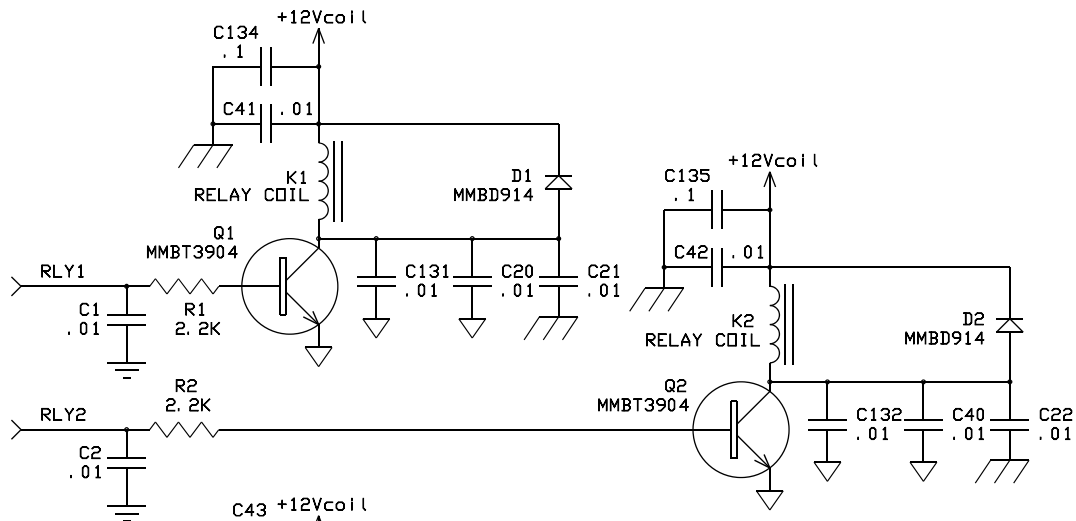
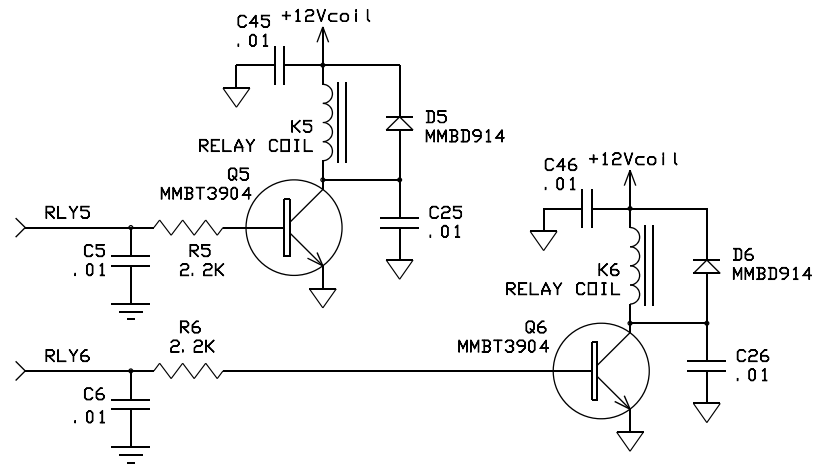
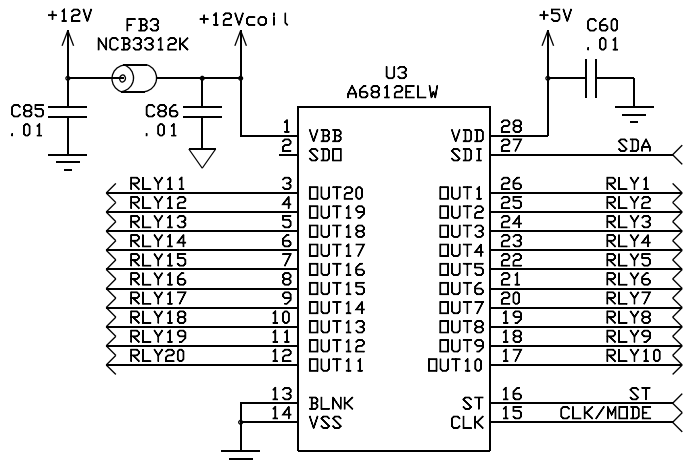


RESISTANCE VALUES ARE IN OHMS

CAPACITANCE VALUES ARE IN MICROFARADS UNLESS OTHERWISE SPECIFIED

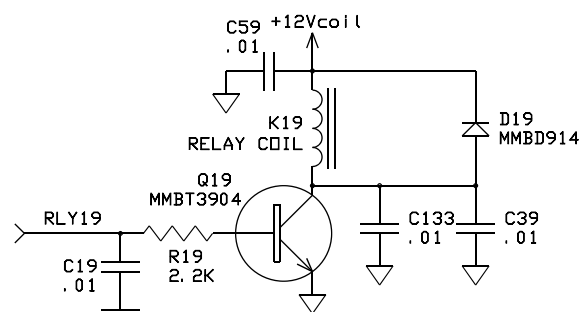
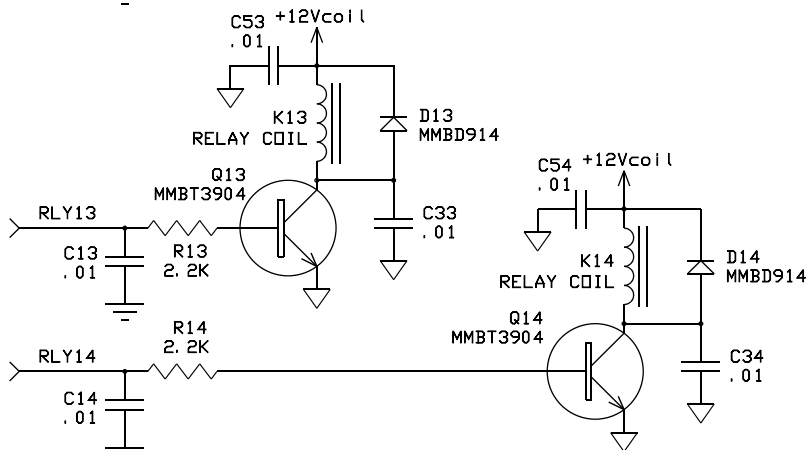
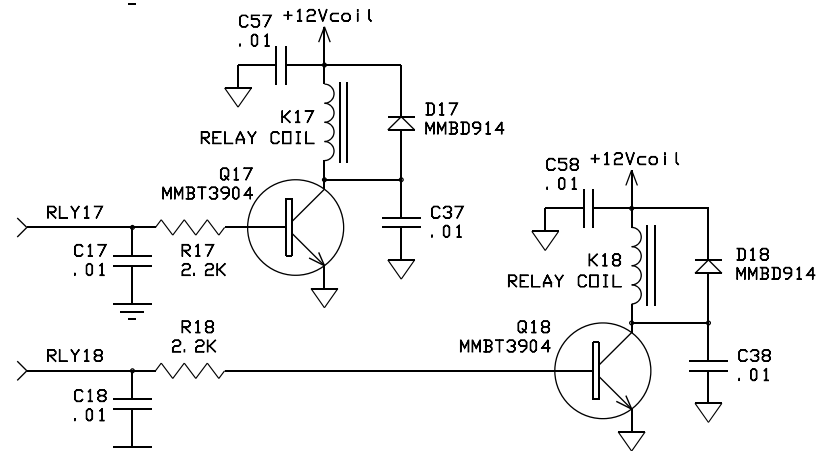
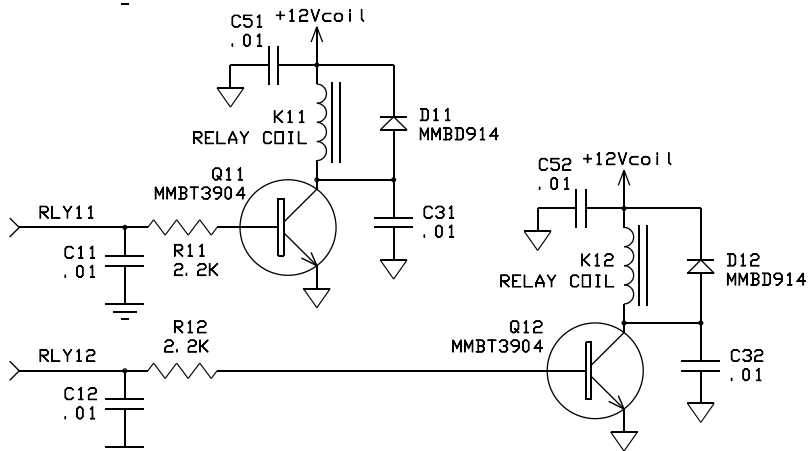
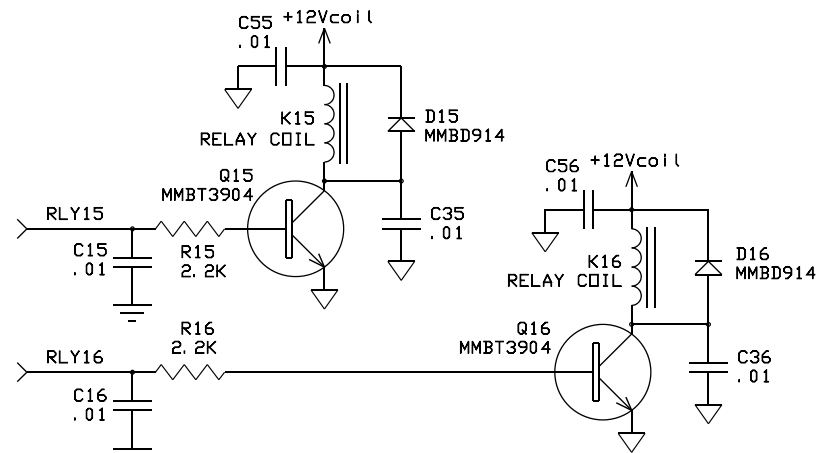
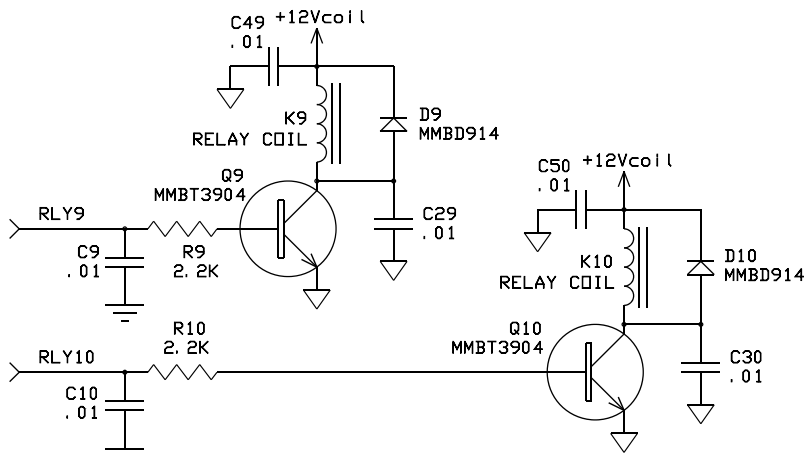
* ALL RELAYS ARE SONGLE SM1H-12VDC-SL-C.
 * L6 & L9 ARE 14AWG AIR COILS; TOROIDS L3, L4, L5, L7, L8 & L10 ARE T106-2, 18AWG.
 * ALL L-NETWORK CAPACITORS ARE RATED 500V.

MODEL NO. 991B/993B/994B/995	REV 2	PCB P/N 862-0993B	SHEET 2 OF 5
DESCRIPTION AUTOMATIC ANTENNA TUNER BRIDGE, L-NETWORK, FREQ CNTR, BALUN			
DATE 02/14/07	PC BOARD M993B_2	MFJ ENTERPRISES, INC. 300 INDUSTRIAL PARK RD STARKVILLE, MS 39759	
ENGINEER H. WONG	DRAWN BY H. WONG		



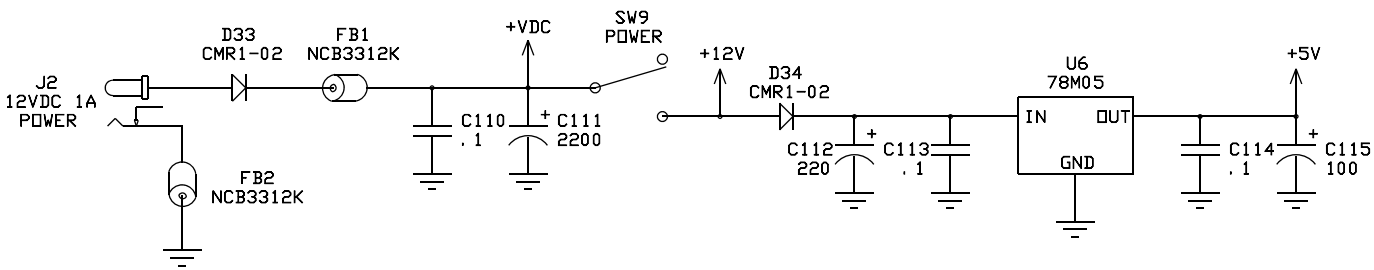
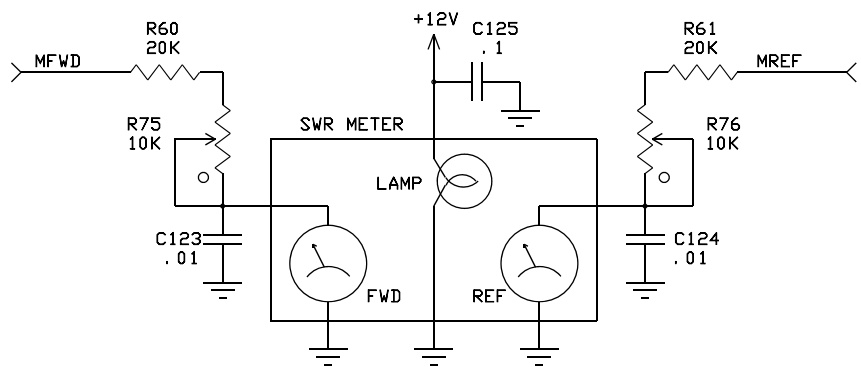
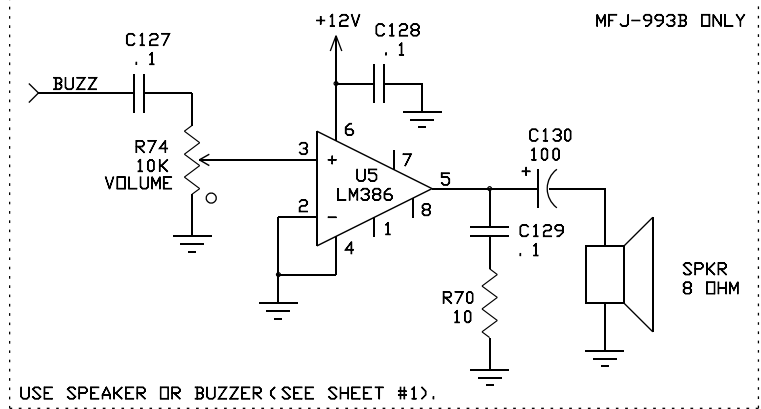
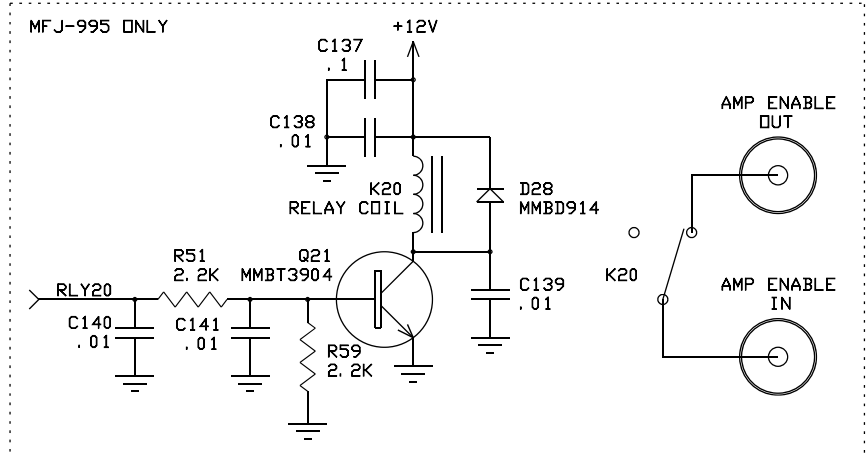
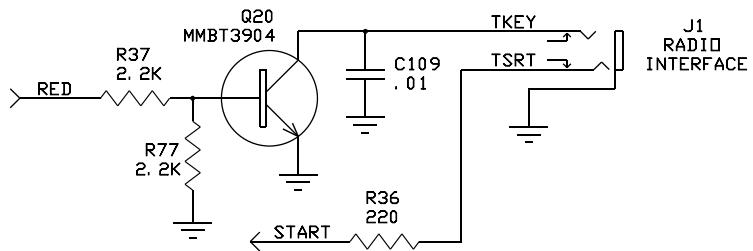
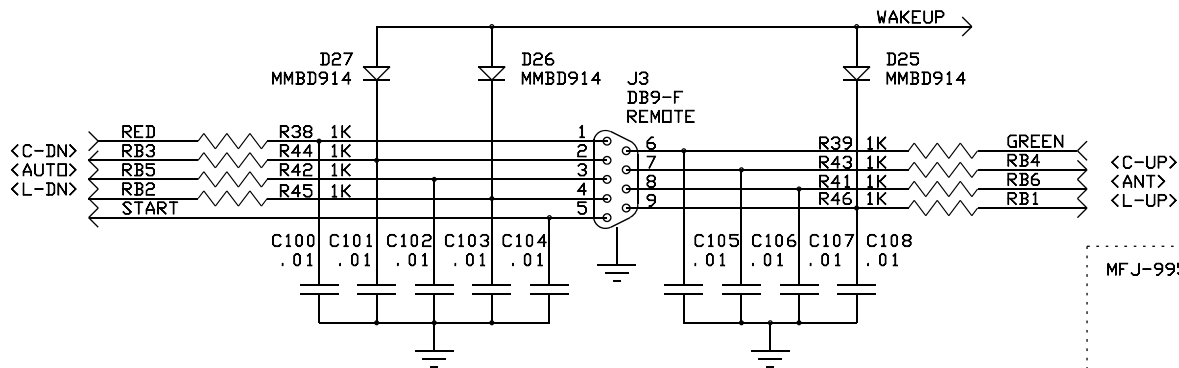
RESISTANCE VALUES ARE IN OHMS
CAPACITANCE VALUES ARE IN MICROFARADS
UNLESS OTHERWISE SPECIFIED

MODEL NO. 991B/993B/994B/995	REV 2	PCB P/N 862-0993B	SHEET 3 OF 5
DESCRIPTION AUTOMATIC ANTENNA TUNER LATCH, RELAY COILS & DRIVERS			
DATE 02/14/07	PC BOARD M993B_2	MFJ ENTERPRISES, INC. 300 INDUSTRIAL PARK RD STARKVILLE, MS 39759	
ENGINEER H. WONG	DRAWN BY H. WONG		



RESISTANCE VALUES ARE IN OHMS
CAPACITANCE VALUES ARE IN MICROFARADS
UNLESS OTHERWISE SPECIFIED

MODEL NO. 991B/993B/994B/995	REV 2	PCB P/N 862-0993B	SHEET 4 OF 5
DESCRIPTION AUTOMATIC ANTENNA TUNER RELAY COILS & DRIVERS			
DATE 02/14/07	PC BOARD M993B_2	MFJ ENTERPRISES, INC. 300 INDUSTRIAL PARK RD STARKVILLE, MS 39759	
ENGINEER H. WONG	DRAWN BY H. WONG		



RESISTANCE VALUES ARE IN OHMS
 CAPACITANCE VALUES ARE IN MICROFARADS
 UNLESS OTHERWISE SPECIFIED

MODEL NO. 991B/993B/994B/995	REV 2	PCB P/N 862-0993B	SHEET 5 OF 5
DESCRIPTION AUTOMATIC ANTENNA TUNER METER, REMOTE, RADIO, SPKR, POWER			
DATE 02/14/07	PC BOARD M993B_2	MFJ ENTERPRISES, INC. 300 INDUSTRIAL PARK RD STARKVILLE, MS 39759	
ENGINEER H. WONG	DRAWN BY H. WONG		

* REMOTE DB9 CONNECTOR SHOWN IS OUTSIDE VIEW.