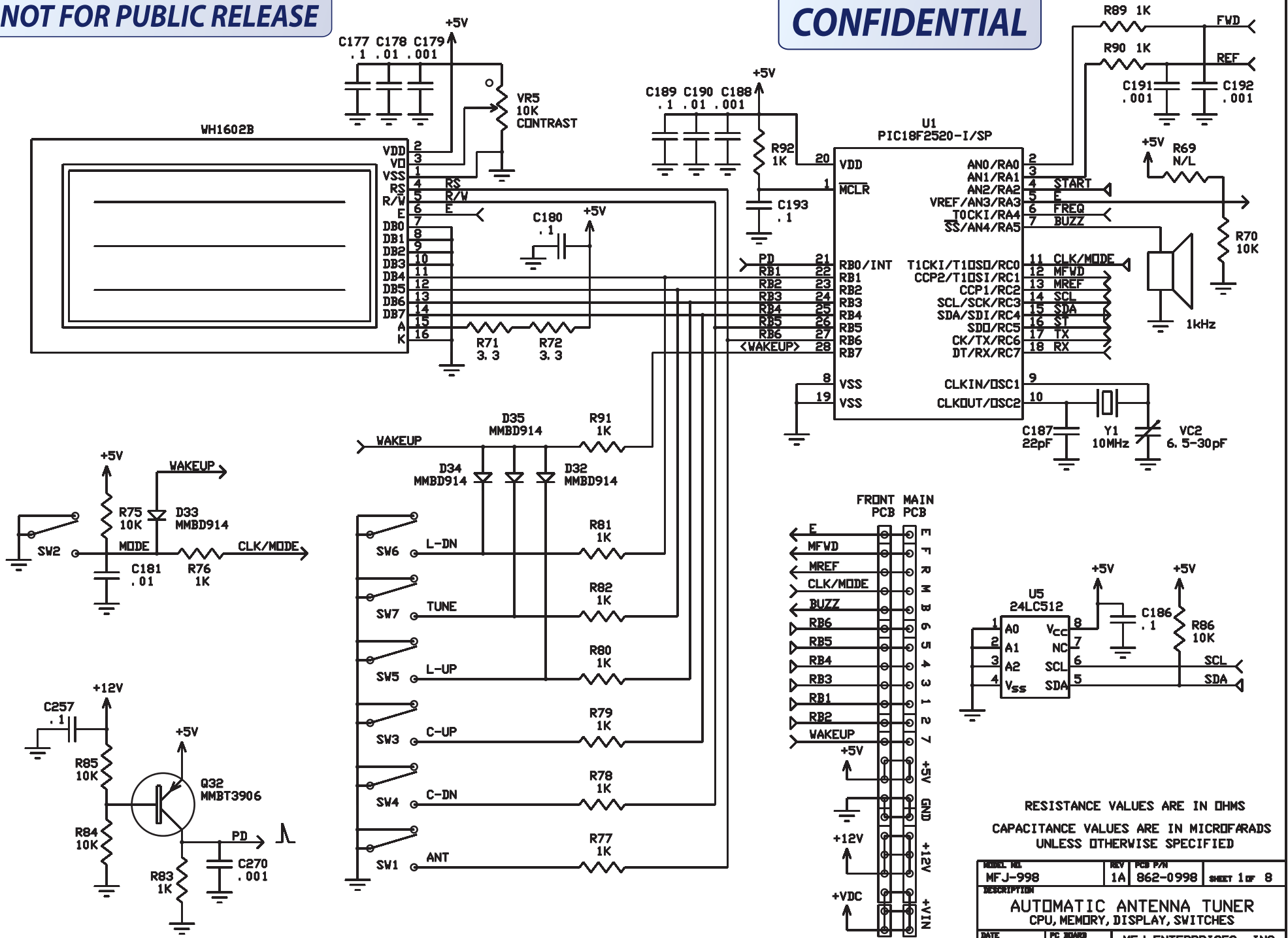


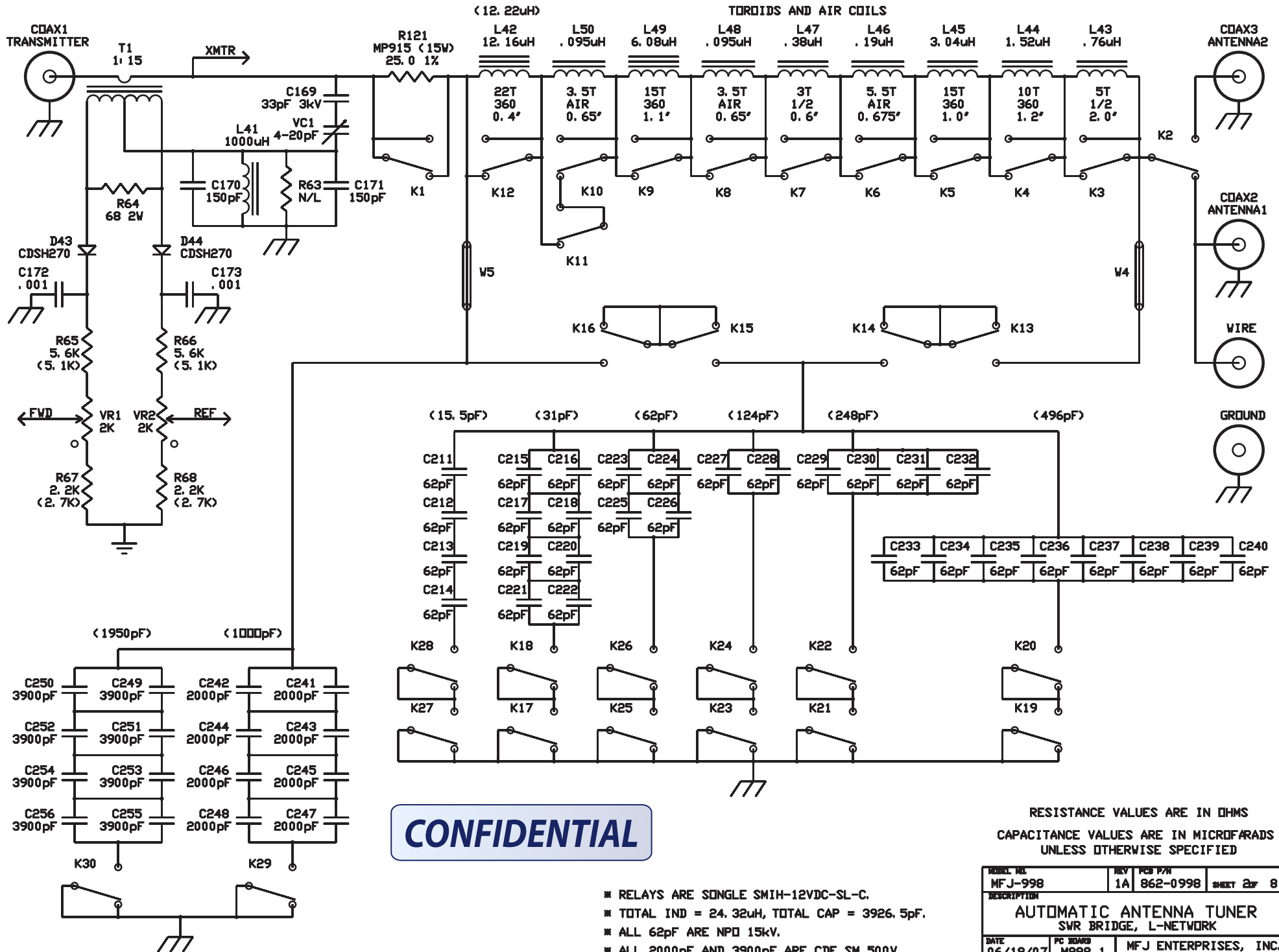
NOT FOR PUBLIC RELEASE

CONFIDENTIAL



RESISTANCE VALUES ARE IN OHMS
 CAPACITANCE VALUES ARE IN MICROFARADS
 UNLESS OTHERWISE SPECIFIED

MODEL NO. MFJ-998	REV 1A	PCB P/N 862-0998	SHEET 1 OF 8
DESCRIPTION AUTOMATIC ANTENNA TUNER CPU, MEMORY, DISPLAY, SWITCHES			
DATE 06/18/07	PC BOARD M998_1	MFJ ENTERPRISES, INC. 300 INDUSTRIAL PARK RD STARKVILLE, MS 39759	
ENGINEER H. WONG	DRAWN BY H. WONG		



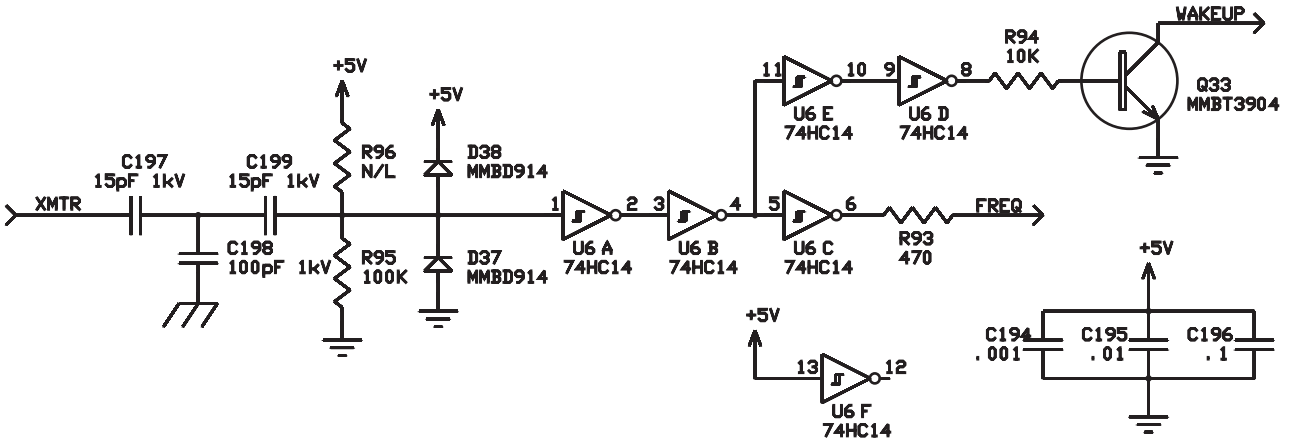
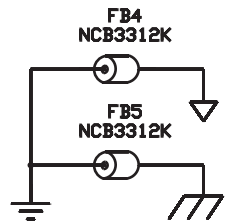
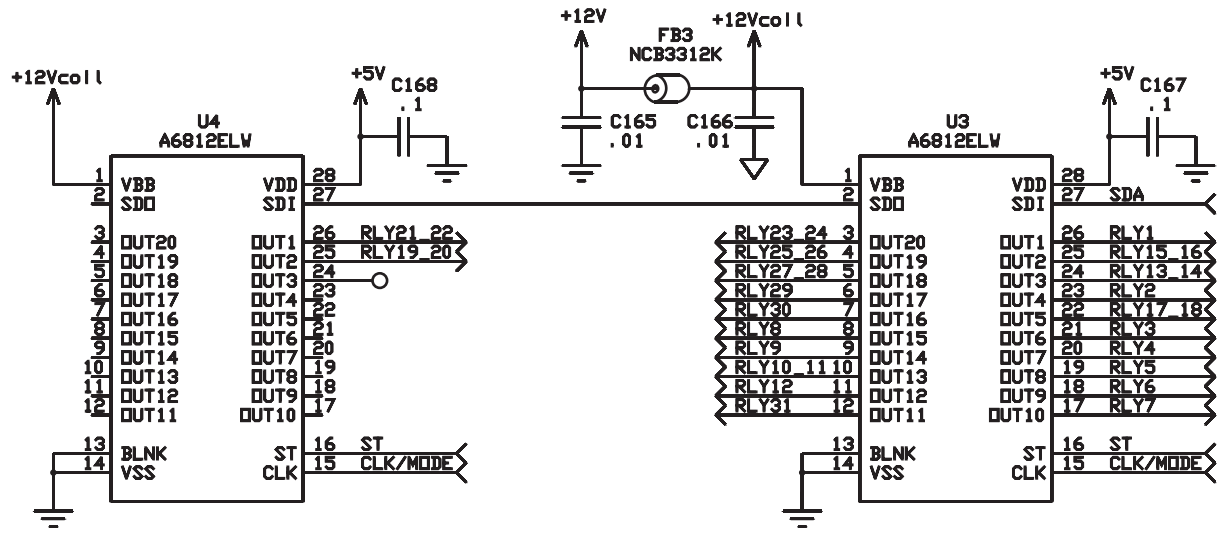
CONFIDENTIAL

RESISTANCE VALUES ARE IN OHMS
CAPACITANCE VALUES ARE IN MICROFARADS
UNLESS OTHERWISE SPECIFIED

- * RELAYS ARE SINGLE SM1H-12VDC-SL-C.
- * TOTAL IND = 24.32uH, TOTAL CAP = 3926.5pF.
- * ALL 62pF ARE NP0 15kV.
- * ALL 2000pF AND 3900pF ARE CDE SM 500V.
- * ALL TOROIDS ARE T200-2 WITH 14 AWG ENAMEL WIRE.

MODEL NO. MFJ-998	REV 1A	PCB P/N 862-0998	SHEET 2 OF 8
AUTOMATIC ANTENNA TUNER SWR BRIDGE, L-NETWORK			
DATE 06/18/07	PC BOARD M998_1	MFJ ENTERPRISES, INC. 300 INDUSTRIAL PARK RD STARKVILLE, MS 39759	
ENGINEER H. WONG	DRAWN BY H. WONG		

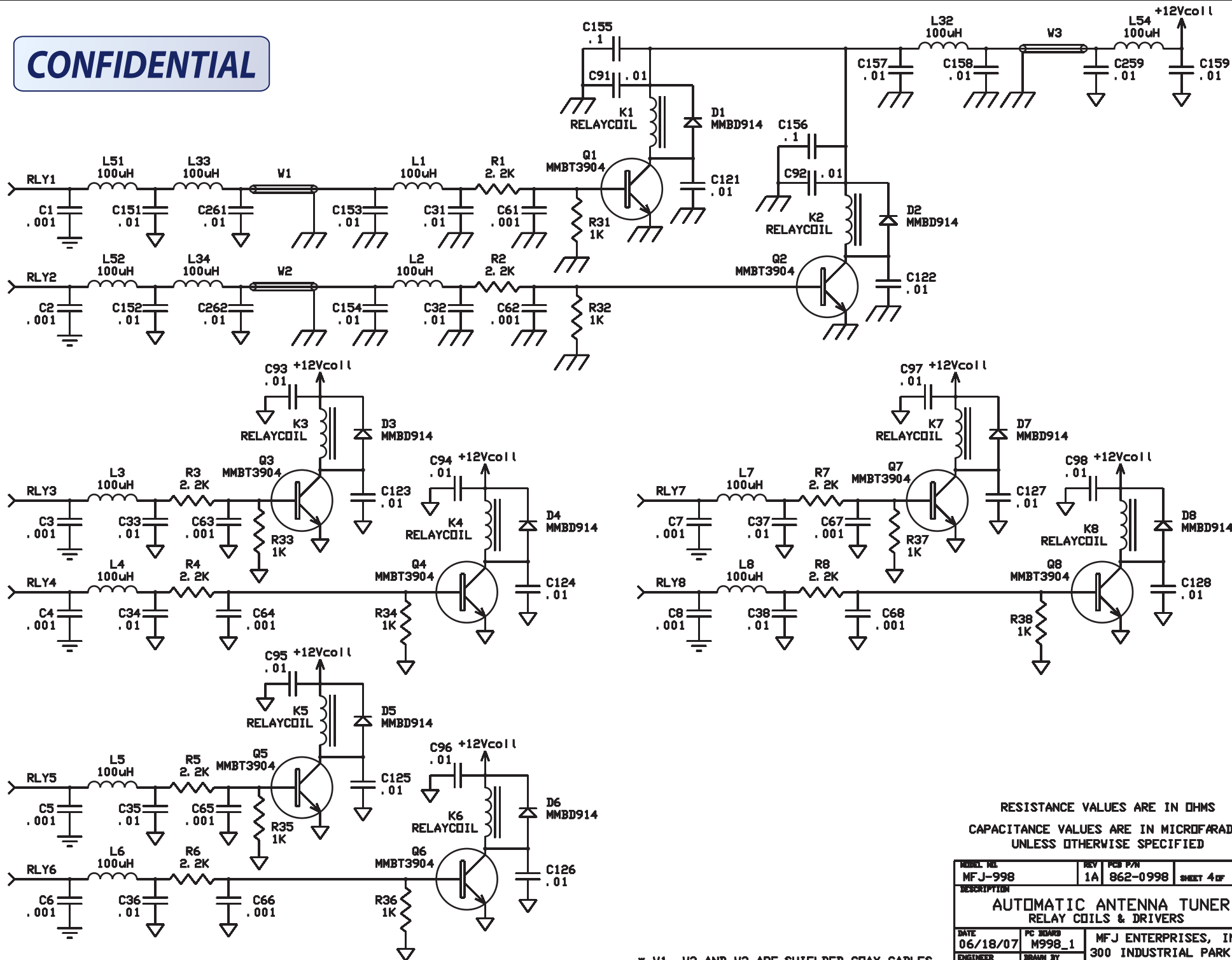
CONFIDENTIAL



RESISTANCE VALUES ARE IN OHMS
CAPACITANCE VALUES ARE IN MICROFARADS
UNLESS OTHERWISE SPECIFIED

MODEL NO. MFJ-998	REV 1A	PCB P/N 862-0998	SHEET OF 8
DESCRIPTION AUTOMATIC ANTENNA TUNER RELAY CONTROLLER & FREQUENCY COUNTER			
DATE 06/18/07	PC BOARD M998_1	MFJ ENTERPRISES, INC. 300 INDUSTRIAL PARK RD STARKVILLE, MS 39759	
ENGINEER H. WONG	DRAWN BY H. WONG		

CONFIDENTIAL

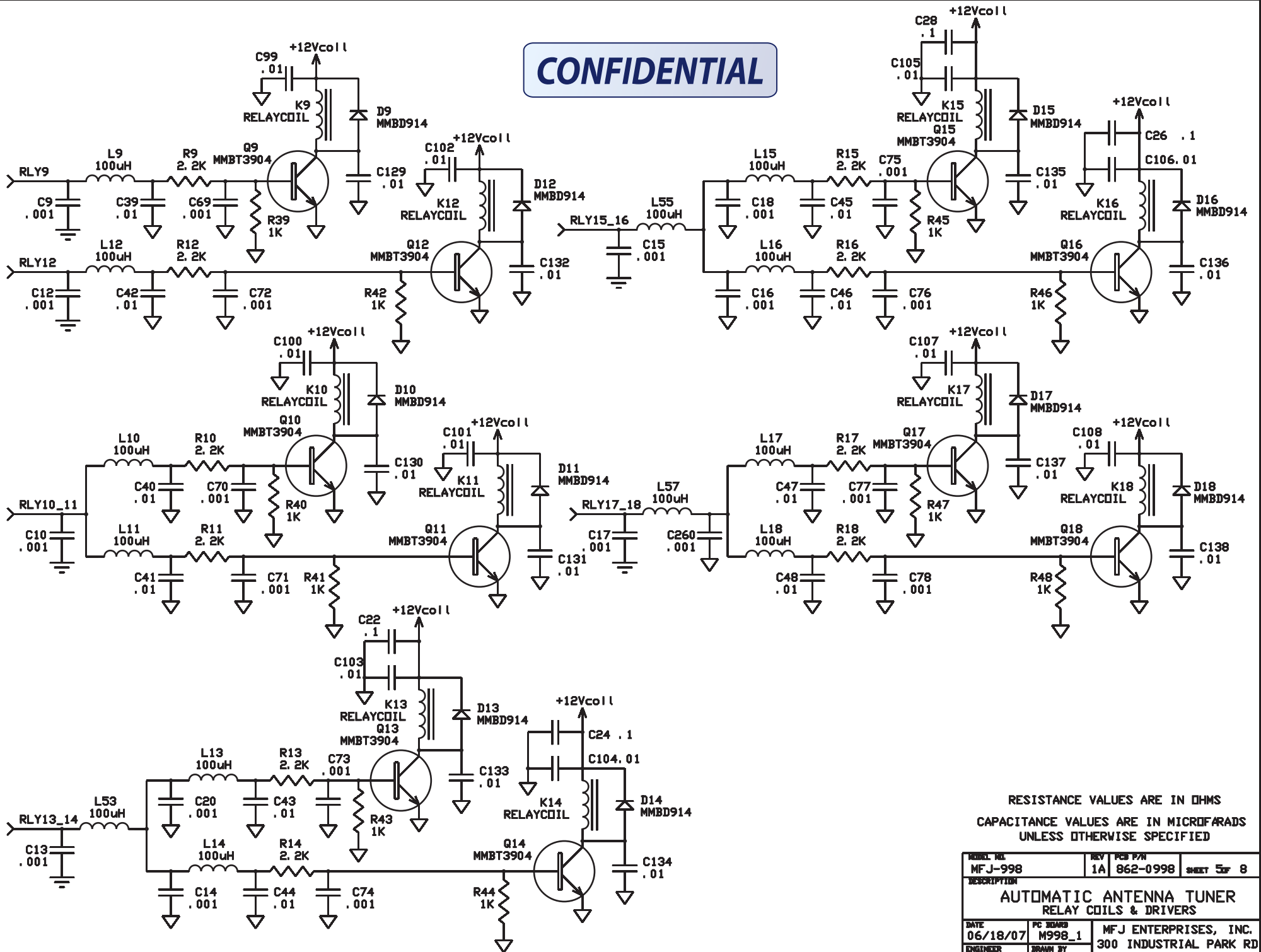


RESISTANCE VALUES ARE IN OHMS
 CAPACITANCE VALUES ARE IN MICROFARADS
 UNLESS OTHERWISE SPECIFIED

MODEL NO. MFJ-998	REV 1A	PCB P/N 862-0998	SHEET 4 OF 8
DESCRIPTION AUTOMATIC ANTENNA TUNER RELAY COILS & DRIVERS			
DATE 06/18/07	PC BOARD M998_1	MFJ ENTERPRISES, INC. 300 INDUSTRIAL PARK RD STARKVILLE, MS 39759	
ENGINEER H. WONG	DRAWN BY H. WONG		

* W1, W2 AND W3 ARE SHIELDED COAX CABLES.

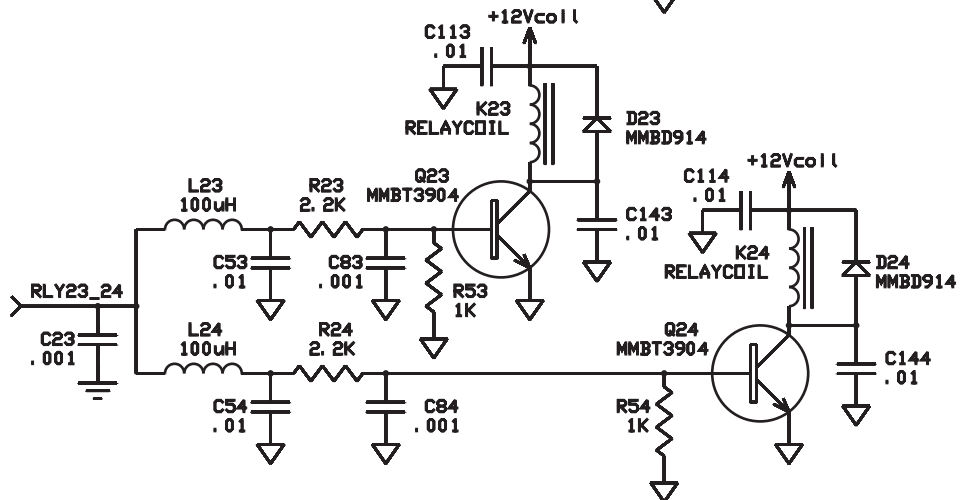
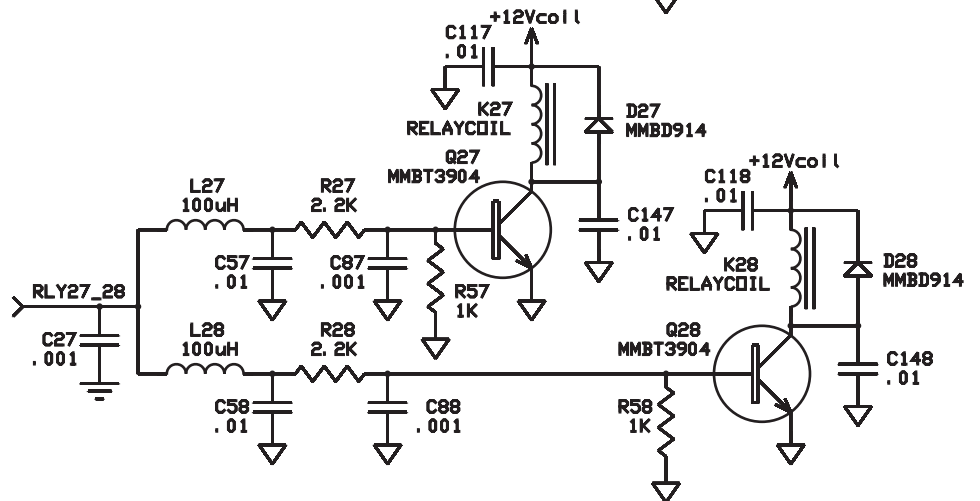
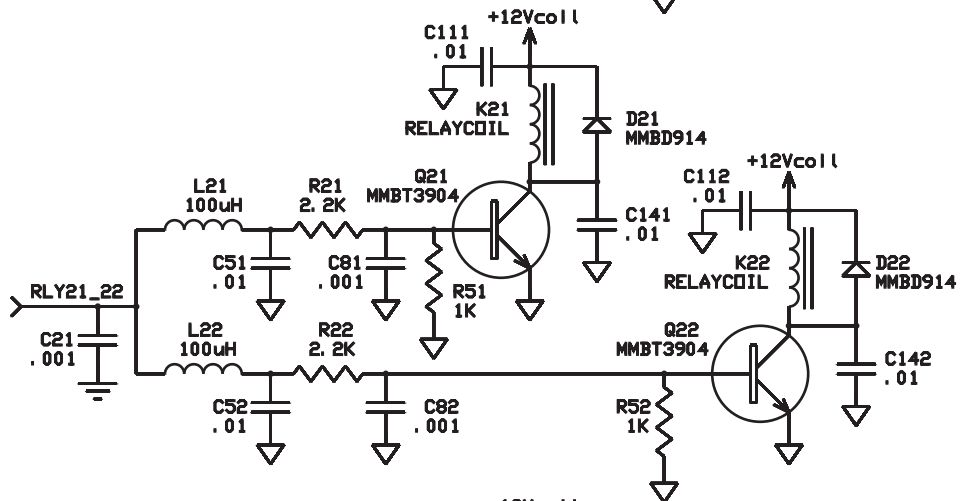
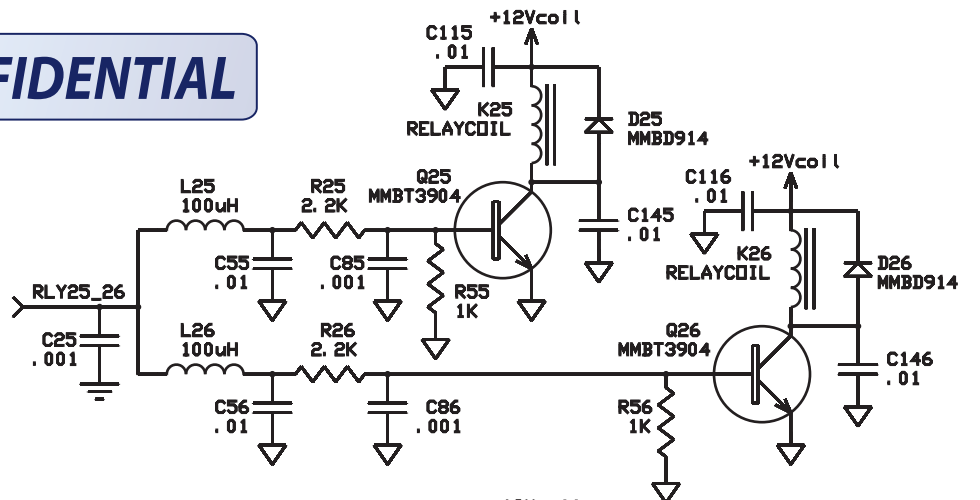
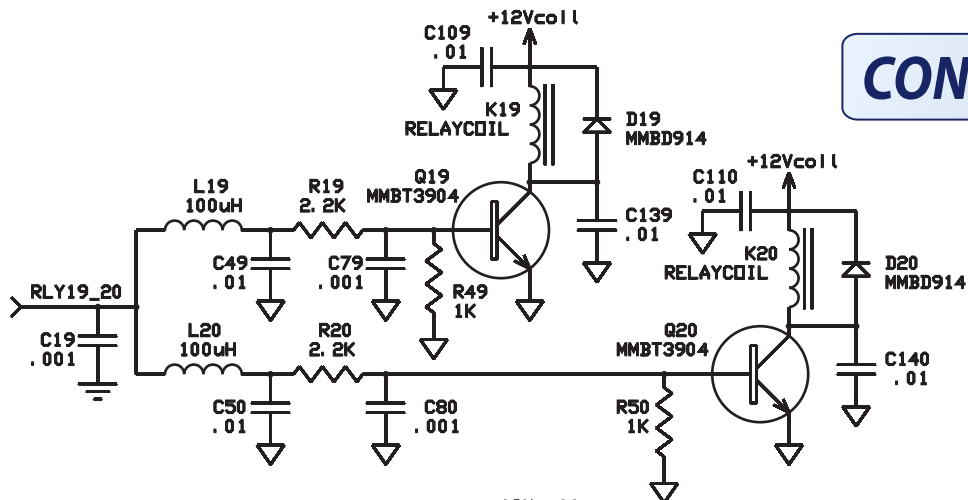
CONFIDENTIAL



RESISTANCE VALUES ARE IN OHMS
CAPACITANCE VALUES ARE IN MICROFARADS
UNLESS OTHERWISE SPECIFIED

MODEL NO. MFJ-998	REV 1A	PCB P/N 862-0998	SHEET 5 OF 8
DESCRIPTION AUTOMATIC ANTENNA TUNER RELAY COILS & DRIVERS			
DATE 06/18/07	PC BOARD M998_1	MFJ ENTERPRISES, INC. 300 INDUSTRIAL PARK RD STARKVILLE, MS 39759	
ENGINEER H. WONG	DRWN BY H. WONG		

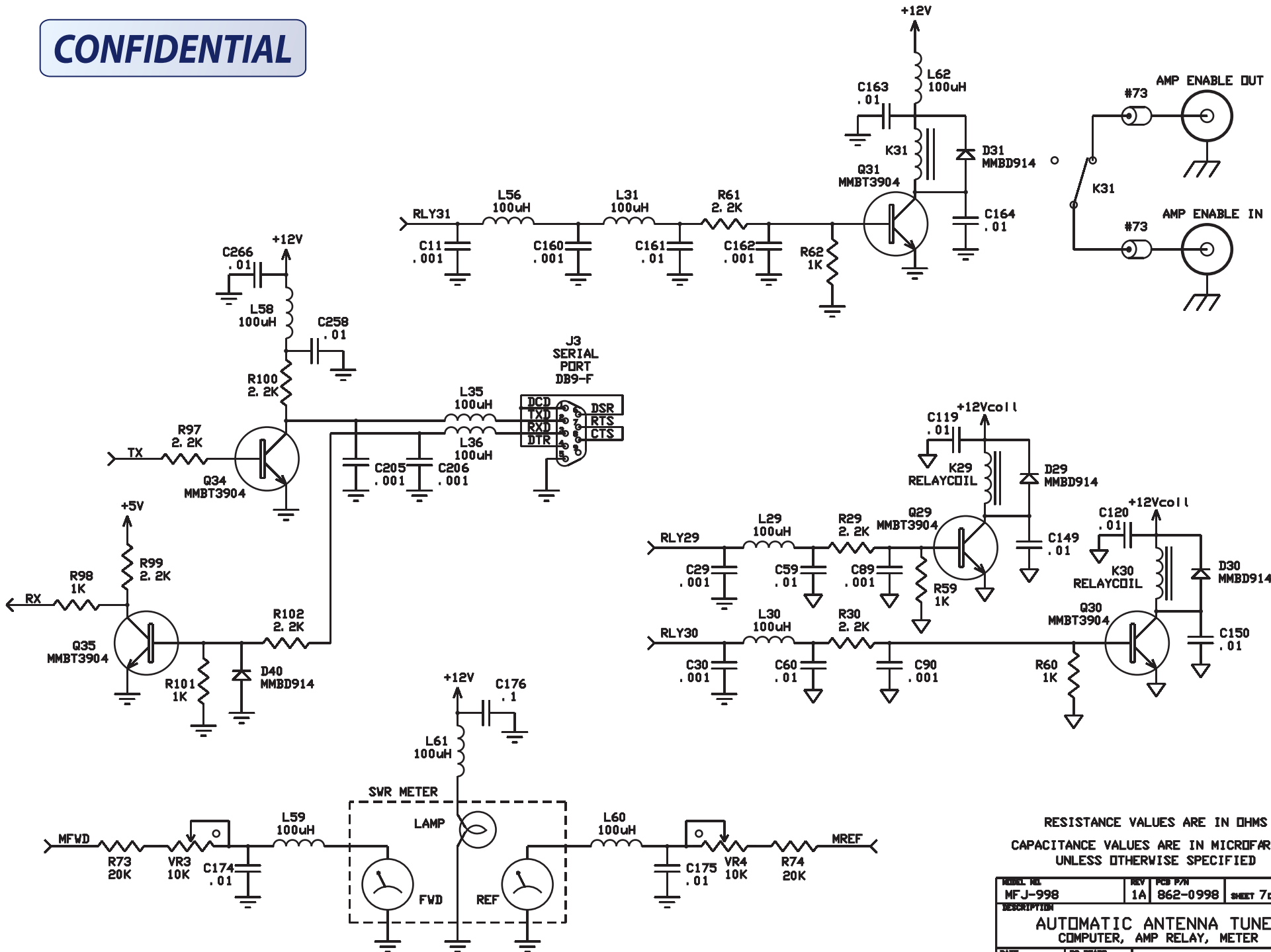
CONFIDENTIAL



RESISTANCE VALUES ARE IN OHMS
CAPACITANCE VALUES ARE IN MICROFARADS
UNLESS OTHERWISE SPECIFIED

MODEL NO. MFJ-998	REV 1A	PCB P/N 862-0998	SHEET 6 OF 8
DESCRIPTION AUTOMATIC ANTENNA TUNER RELAY COILS & DRIVERS			
DATE 06/18/07	PC BOARD M998_1	MFJ ENTERPRISES, INC. 300 INDUSTRIAL PARK RD STARKVILLE, MS 39759	
ENGINEER H. WONG	DRAWN BY H. WONG		

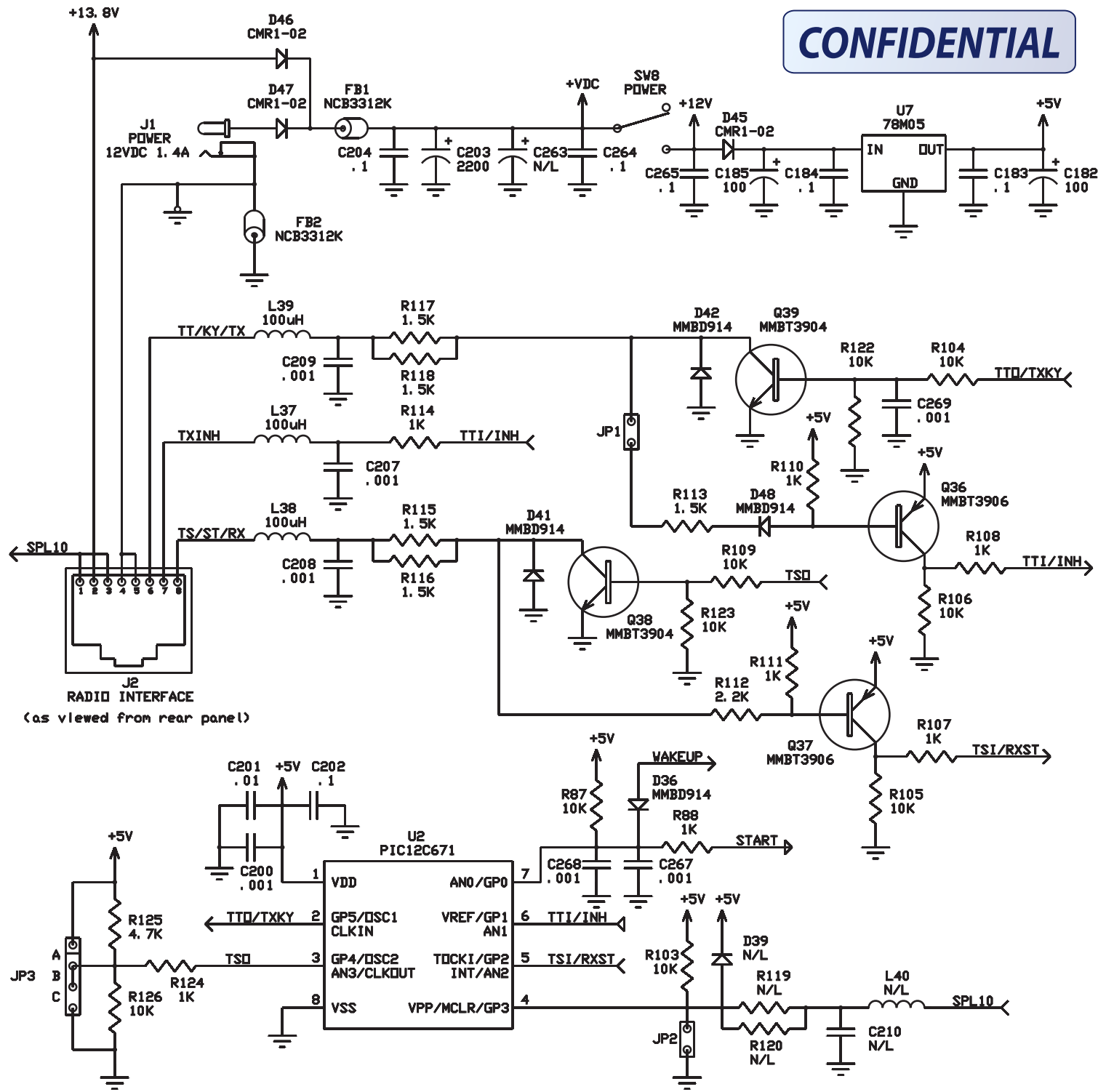
CONFIDENTIAL



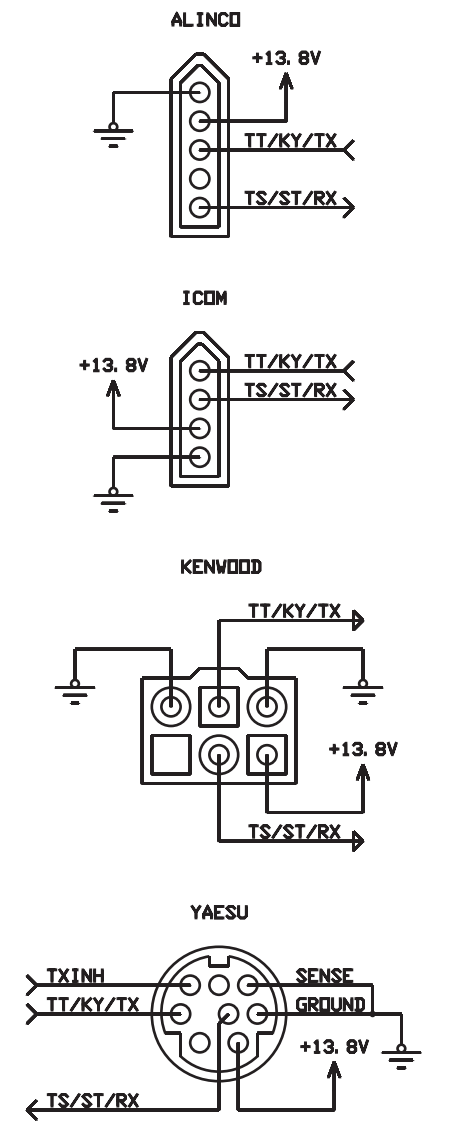
RESISTANCE VALUES ARE IN OHMS
CAPACITANCE VALUES ARE IN MICROFARADS
UNLESS OTHERWISE SPECIFIED

MODEL NO. MFJ-998	REV 1A	PCB P/N 862-0998	SHEET 7 OF 8
DESCRIPTION AUTOMATIC ANTENNA TUNER COMPUTER, AMP RELAY, METER			
DATE 06/18/07	PC BOARD M998_1	MFJ ENTERPRISES, INC. 300 INDUSTRIAL PARK RD STARKVILLE, MS 39759	
ENGINEER H. WONG	DRAWN BY H. WONG		

CONFIDENTIAL



(as viewed from rear panel of radio)



RESISTANCE VALUES ARE IN OHMS
CAPACITANCE VALUES ARE IN MICROFARADS
UNLESS OTHERWISE SPECIFIED

FORM NO. MFJ-998	REV 1A	PCB P/N 862-0998	SHEET 8 OF 8
DESCRIPTION AUTOMATIC ANTENNA TUNER RADIO INTERFACE, POWER			
DATE 06/18/07	PC BOARD M998_1	MFJ ENTERPRISES, INC. 300 INDUSTRIAL PARK RD STARKVILLE, MS 39759	
ENGINEER H. WONG	DRAWN BY H. WONG		