

MIDLAND®

PORTABLE POWER STATION



PPG100

midlandusa.com

Table of Contents

WELCOME TO THE WORLD OF MIDLAND.....	3
FEATURES.....	3
FCC NOTIFICATION.....	3
CONTROLS AND INDICATORS.....	4
LCD DISPLAY.....	5
CHARGING YOUR PPG100.....	5
AC Charging.....	6
12V DC Car Charging.....	6
Solar Charging.....	6
CHARGING A DEVICE THROUGH THE DC OUTPUT.....	6
CHARGING A DEVICE THROUGH THE AC OUTPUT.....	7
PPG100 HELPFUL TIPS AND TRICKS.....	7
LIMITED WARRANTY.....	8
ACCESSORIES.....	9

WELCOME TO THE WORLD OF MIDLAND RADIO

Congratulations on your purchase of a high quality MIDLAND product. Your PPG100 Portable Power Generator represents state-of-the-art high tech engineering. It is a quality piece of electronic equipment, skillfully constructed with the finest components. Your Portable Power Generator is designed for reliable and trouble-free performance for years to come.

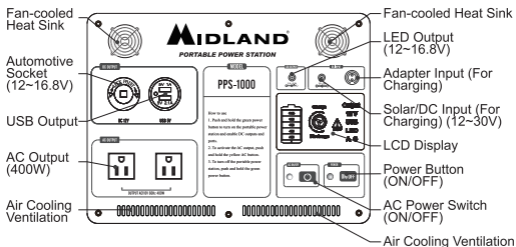
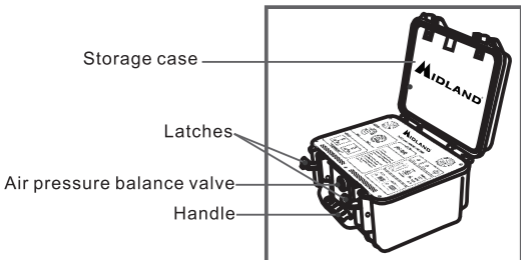
FEATURES

- Lithium Ion Battery: 950Wh
- Solar/DC Input
- AC Input
- AC Output x 2
- USB Output x 2
- 12V DC Output x 1
- Water Resistant Case
- Lightweight: only weighs 25 pounds

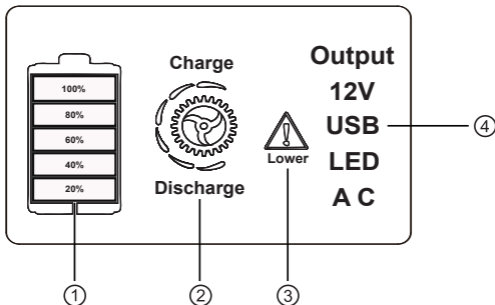
FCC Notification

This device complies with Part 15 of the FCC rules. Operation is subject to the following two conditions: (1) This device may not cause harmful interference, and (2) this device must accept any interference received, including interference that may cause undesired operation.

CONTROLS AND INDICATORS



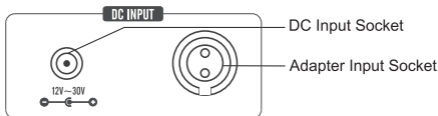
LCD Display



1. Indicates the charge level of the battery
2. Indicates whether the unit is charging or discharging the power
3. A Low Battery Warning will appear when the battery capacity is less than 10%
4. Indicates which output is being used

Charging your PPG100

The PPG100 can be charged by an AC adaptor (Included), 12V DC Car Charger, or by a solar charge.



AC Charging

1. Plug the AC Adaptor into the Adaptor INPUT socket
2. Plug the AC Adaptor into an AC outlet.

NOTE: It takes approximately 17 hours to fully charge your PPG100 with the AC Adaptor.

12V DC Car Charging

1. Plug the 12V barrel plug into the DC Input 12V~30V socket.
2. Plug the the other end of the DC Car Charging Cable into the vehicle's cigarette lighter socket.

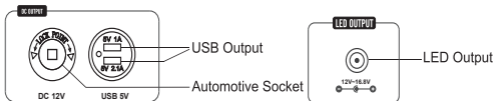
NOTE: It is not recommended to charge the PPG100 through the vehicle, it will take too much time to fully charge the PPG100. The vehicle can be used as a top off charge for the PPG100.

Solar Charging

1. Plug the solar connector cable (not included) into the DC INPUT (12~30V) socket.
2. Plug the other end of the cable into the Solar Panel. (not included)

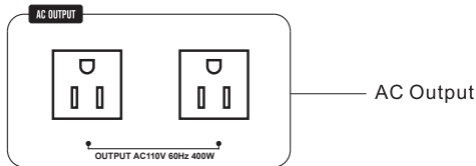
Charging a Device through the DC Output

1. Press and hold the green power button to turn on the generator. This will activate the DC outputs and ports.
2. To turn off the generator, press and hold the green power button.



Charging a Device through the AC Output

1. Press and hold the green power button to turn on the generator.
2. Press and hold the yellow ON/OFF button on the generator. This will activate the AC Outputs
3. To turn off the generator, press and hold the green power button.



PPG100 Helpful Tips and Tricks

- The PPG100 case is a hermetically sealed waterproof case. You may find it difficult to open the case in the winter time when you charge the generator in your home then take it out in the cold temperature. If this is the case, please unscrew the pressure release valve, once you have done this, you will be able to easily open the case.
- When the PPG100 is being charged, the AC ports are disabled. You will still be able to use the USB output, DC output, and the LED output while the generator is charging.
- When the PPG100 battery level is less than 5%, the generator will shut off to protect the battery.
- When not in use, it is best to charge your PPG100 every 3 months to maintain the quality of the battery
- It is best to use the USB outputs when charging your smartphone or tablet.

LIMITED WARRANTY (United States and Canada)

Subject to the exclusions set forth below, Midland Radio Corporation will repair or replace, at its option without charge, any Midland PPG100 which fails due to a defect in material or workmanship within One Year following the initial consumer purchase.

This warranty does not apply to water damage, battery leak, abuse or misuse of unauthorized accessories, unauthorized service or modification or altered products. Accessories have a 90 day warranty from date of purchase including the power cable, that is included with the unit.

ANY IMPLIED WARRANTIES, INCLUDING, WITHOUT LIMITATION THE IMPLIED WARRANTIES OF MERCHANTABILITY AND FITNESS FOR A PARTICULAR PURPOSE, SHALL BE LIMITED AS SET FORTH HEREIN AND TO THE DURATION OF THE LIMITED WARRANTY, OTHERWISE THE REPAIR OR REPLACEMENT AS PROVIDED UNDER THIS EXPRESS LIMITED WARRANTY IS THE EXCLUSIVE REMEDY OF THE CONSUMER AND IS PROVIDED IN LIEU OF ALL OTHER WARRANTIES, EXPRESS OR IMPLIED. IN NO EVENT SHALL MIDLAND BE LIABLE, WHETHER IN CONTRACT OR TORT (INCLUDING BUT NOT LIMITED TO NEGLIGENCE, GROSS NEGLIGENCE, BODILY INJURY, PROPERTY DAMAGE AND DEATH) FOR DAMAGES IN EXCESS OF THE PURCHASE PRICE OF THE PRODUCT OR ACCESSORY, OR FOR ANY INDIRECT, INCIDENTAL, SPECIAL OR CONSEQUENTIAL DAMAGES OF ANY KIND, OR LOSS OF REVENUE OR PROFITS, LOSS OF BUSINESS, LOSS OF INFORMATION OR DATA OR OTHER FINANCIAL LOSS ARISING OUT OF OR IN CONNECTION WITH THE ABILITY OR INABILITY TO USE THE PRODUCTS OR ACCESSORIES TO THE FULL EXTENT THESE DAMAGES MAY BE DISCLAIMED BY LAW.

For Product Purchased in the USA:

Performance of any obligation under this warranty may be obtained by returning the warranted product, prepaid freight, along with proof of purchase to:

**Midland Radio Corporation
Warranty Service Department
5900 Parretta Drive
Kansas City, MO 64120**

This warranty gives you specific legal rights, and you may also have other rights, which vary from state to state.

***NOTE:** The above warranty applies only to merchandise purchased in the United States of America or any of the territories or possessions thereof, or from a U.S. Military exchange.*

For Product Purchased in Canada:

Performance of any obligation under this warranty may be obtained by returning the warranted product, along with proof of purchase, to your place of purchase in Canada.

This warranty gives you specified legal rights. Additional warranty rights may be provided by law in some areas within Canada.

ACCESSORIES

Accessories can be purchased at midlandusa.com

MIDLAND®**X-TALKER***2-Way Radios**Weather Radios**Business 2-Way Radios***LXT / GXT***2-Way Radios**Emergency Crank Radios**CB Radios*

**THIS PAGE IS
INTENTIONALLY
LEFT BLANK**



MIDLAND RADIO CORPORATION

**5900 Parretta Drive
Kansas City, MO 64120
Call 816.241.8500**

**We'd love to hear from you! Let us know what
you think of your new Midland product at:**



or by visiting us at:

midlandusa.com

**Note: Features and Specifications are subject to change without
notice. MIDLAND RADIO CORPORATION is not responsible for
unintentional errors or omissions on its packaging.**