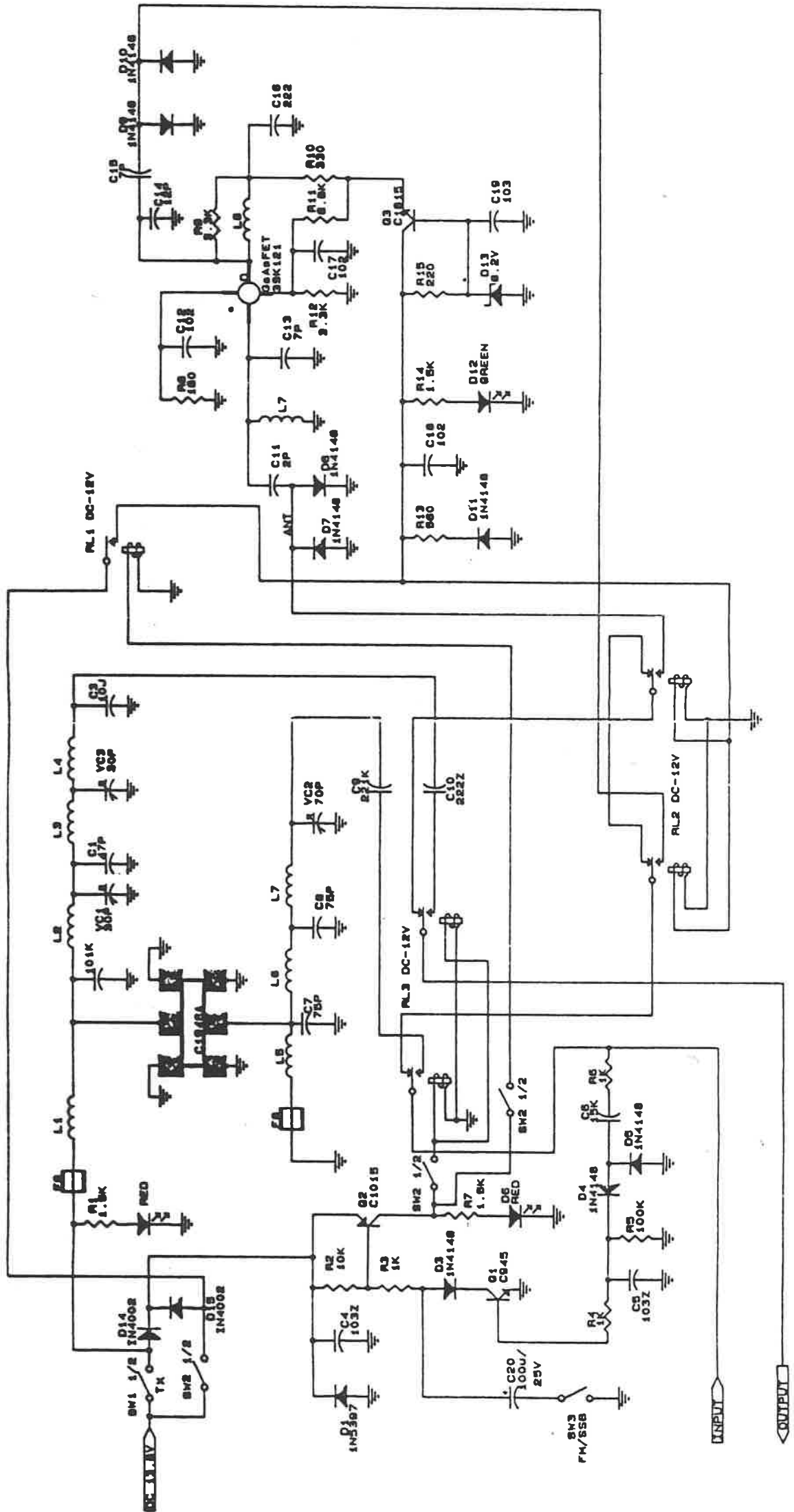


SCHEMATIC



L1: 6T . 80 . 1mm
 L2: PCB . 2mm . 13mm
 L3: PCB . 2mm . 36mm