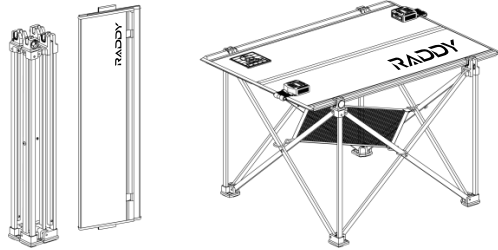


Improper use can damage the product and even cause injury. Please read this manual carefully and use it correctly. Save the manual.



# Portable Solar Outdoor Hiking Table USE MANUAL

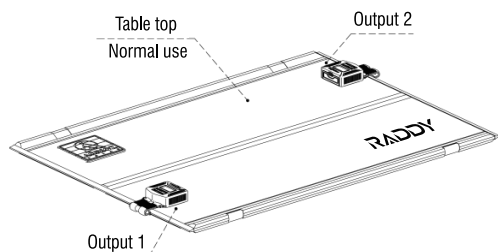


## Specifications

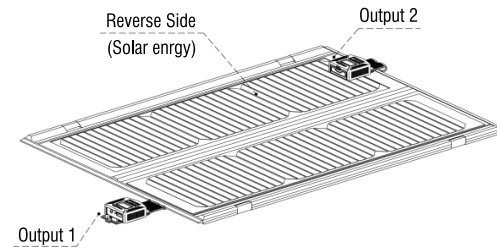
Model NO.	ST30
Size (LxWxH-mm)	640×450×400 (Expand Size)
	650×200×120 (Folded Size)
product Weight	2.7 KG
Package Weight	3.4 KG
PV Power	30 W
Conversion efficiency	≥20%
D C	18V 1.6A (MAX)
USB	USB 5V / 2.1A ×2
Type-C	×
QC3.0	5V/3A 9V/2A 12V/2A
Operating Temperature	-20 C ~70 C

## Main Function Description

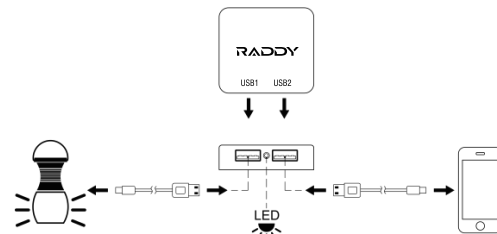
1. When using the table, face up.



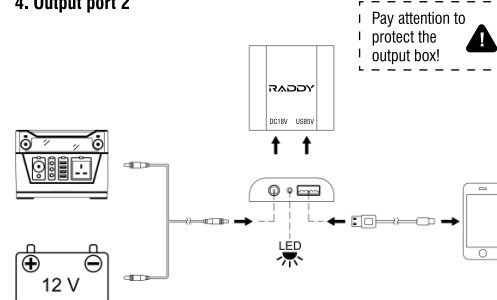
2. The solar desktop is placed in the sun.



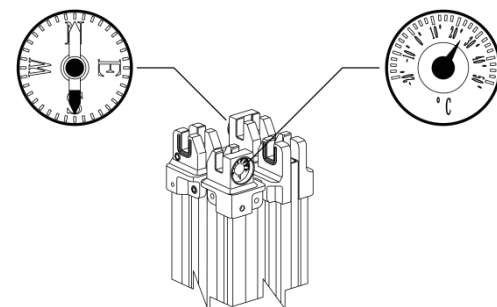
3. Output port 1



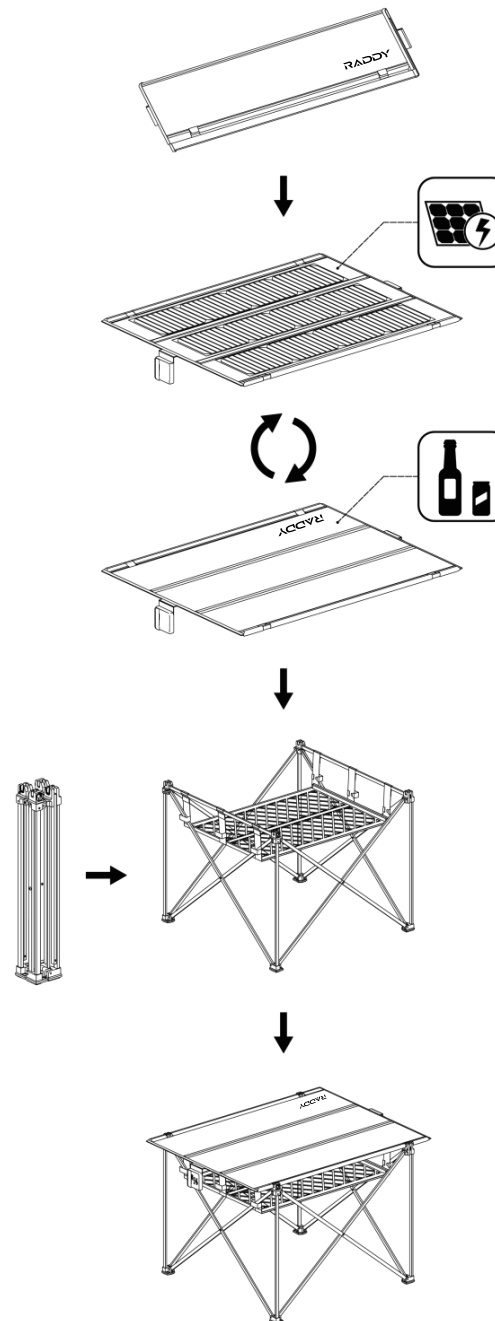
4. Output port 2



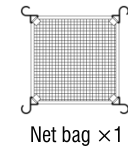
5. Compass & Thermometer



## Instructions For Use



## Product Accessories



## Attention

- ① The table can bear as weight as max 15KG, uniform load.
- ② When placing high temperature objects on the table (>80 C), insulation pad should be used.
- ③ Cannot be left in the rain for a long time, Protect table from scratching and violent collision
- ④ Protect the desktop from scratching, violently knocking or impact.
- ⑤ Forbid to unauthorized disassemble or modify the parts from the table. Avoid injury and dangerous.
- ⑥ When need to increase power generation efficiency, let sunshine irradiate vertically on the table as much as possible.
- ⑦ Children should be used under adult guidance.
- ⑧ Forbid to short-circuit each output port.
- ⑨ The signs ⚠ in the manual are warning signs.
- ⑩ If you have any questions, please contact your dealer.

## After-sales service and warranty

1. Quality guarantee period product: 1 year.

2. Free warranty rules:

- ① Free warranty if use product properly and something is wrong during warranty period.
- ② Once non-human factor accident occur during free warranty period, please contact the dealer or the company's after-sales department, mail the product and warranty card to them.
- ③ Free gift has not warranty, the warranty of the lithium battery is 1 year.
- ④ Customer is responsible for full cost of the repair, if the following conditions occur during warranty period:
  - Damage caused by actions which does not follow the instruction, unauthorized disassemble or modification.
  - Artificial damage including there is no purchase date and no dealer's record in the warranty card.
  - Damage caused by irresistible natural disasters such as floods, fires, earthquakes, lightning strokes, and wars.
  - Other circumstances not covered by the warranty, except home use (for long-term rental or long-term use on ships).

## Product recommendations

It is recommended to buy RADDY series of outdoor energy products, product versatility is more guaranteed.

If you have any questions, please feel free to contact us by email via [support@raddy.com](mailto:support@raddy.com)