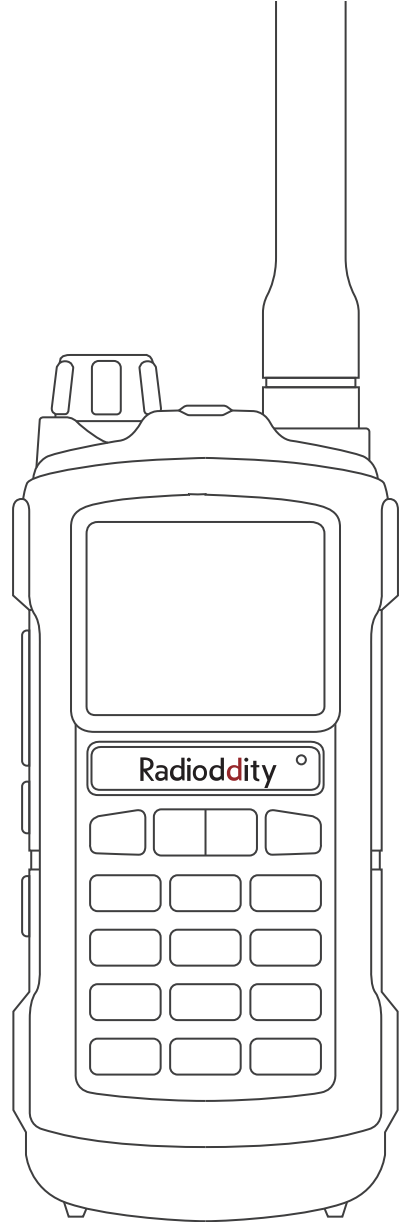




Radiodity



Two Way Radio
GS-5B

User Manual
Benutzerhandbuch



Thank you for shopping at Radioddity!
FIND TUTORIALS, SUPPORT AND MORE

Vielen Dank für Ihren Einkauf bei Radioddity!
TUTORIALS, SUPPORT UND MEHR FINDEN SIE UNTER

FC CE 06780  ROHS



<https://www.radioddity.com/>



<https://www.facebook.com/radioddity>



<https://www.youtube.com/c/Radioddityradio>



Visit [Radioddity.com](https://radioddity.com) For Downloads And Help

About Radioddity

“You, our friend and customer, are at the forefront of what we do.”

Nothing is more important than your time, and your money. When buying radios online, you face a dilemma: Save time and purchase from a reputable website at a high price, or try to save money by purchasing from an un reputable dealer at the cost of your time spent dealing with quality and service issues. At Radioddity.com, you don't have to choose between low prices and a safe shopping experience. Whether you're a first time buyer or a seasoned HAM, we hope you'll find our products, prices, content and resources to be just what you need.

In the past several years, Radioddity has been better serving the needs of two-way radio buyers by creating a safe shopping experience. We do this by providing the highest quality products, at an affordable price, and backing that up with superior quality service. It sounds simple to us.

That is our promise: to improve your buying experience.

Through strong partnerships which allow us to bring you the latest technology from our own brand Radioddity and on behalf of our caring and responsive Customer Support team, we strive to fulfill that promise and better meet your needs every day.

Along with this promise, we hope to give you more value. Be that by offering you the latest and greatest in DMR and analog radios, accessories and related products, by providing superior technical support, or by working with thought leaders in the Amateur Radio Industry to develop enriching content to entertain and assist you in your buying process including our Blog, FAQ, and Newsletter. Your concerns are our concerns.

We do all of this to help you find the highest quality of radios, for low prices, with as little headache to the consumer as possible. If we are failing you in this promise in any way, let us know via email:

support@radioddity.com



Visit Radioddity.com For Downloads And Help

Über Radioddity

“Sie, unser Freund und Kunde, stehen im Mittelpunkt unseres Handelns.”

Nichts ist wichtiger als Ihre Zeit und Ihr Geld. Wenn Sie Funkgeräte online kaufen, stehen Sie vor einem Dilemma: Sparen Sie Zeit und kaufen Sie von einer seriösen Website zu einem hohen Preis, oder versuchen Sie, Geld zu sparen, indem Sie von einem unberechenbaren Händler auf Kosten Ihrer Zeit, die Sie mit Qualitäts- und Servicefragen verbringen, kaufen. Bei Radioddity.com müssen Sie sich nicht zwischen niedrigen Preisen und einem sicheren Einkaufserlebnis entscheiden. Ob Sie nun das erste Mal bei uns etwas kaufen oder ein erfahrener Funkamateurliebhaber sind, wir hoffen stets, dass Sie mit unseren Produkten, Preisen, Inhalten und Quellen genau das finden, was Sie brauchen.

In den letzten Jahren hat Radioddity die Bedürfnisse der Käufer von Funkgeräten besser erfüllt, indem es ein sicheres Einkaufserlebnis geschaffen hat. Wir tun dies, indem wir die hochwertigsten Produkte zu einem erschwinglichen Preis anbieten und diese mit einem erstklassigen Service unterstützen. Das klingt für uns einfach.

Unser Versprechen: Ihr Einkaufserlebnis zu verbessern

Durch starke Partnerschaften sind wir in der Lage, Ihnen unter unserem Markennamen neueste Technologie anzubieten. Unsere kundenorientierten und reaktionsschnellen Serviceteams unterstützen uns dabei, dieses Versprechen einzuhalten und Ihre Bedürfnisse jeden Tag noch besser zu erfüllen.

Zusammen mit diesem Versprechen hoffen wir, Ihnen den entsprechenden Mehrwert zu geben. Sei es, indem wir Ihnen die neuesten und besten DMR- und Analogfunkgeräte, Zubehör und verwandte Produkte anbieten, indem wir einen hervorragenden technischen Support bieten, oder indem wir mit führenden Köpfen der Amateurfunkbranche zusammenarbeiten, um hilfreiche Inhalte zu entwickeln, die Sie in Ihrem Kaufprozess unterstützen. Dazu gehören auch unsere Blogs, unsere FAQ und unser Newsletter. Wir machen Ihre Anliegen sind unsere Anliegen.

All dies machen wir um Sie dabei zu unterstützen, qualitativ hochwertige Funkgeräte zu niedrigen Preisen, mit so wenig Kopfschmerzen für den Verbraucher wie möglich zu erwerben. Wenn wir Ihrer Meinung nach dieses Versprechen in irgendeiner Weise nicht einhalten, lassen Sie es uns bitte per E-Mail wissen:

support@radioddity.com



Contents

Chapter 1. Initial Setup	01
Safety Information	01
What's in the box	02
Belt clip.....	03
Installing & Removing Battery.....	03
Installing & Removing Antenna	04
Charging Battery.....	04
Chapter 2. Getting to know your radio	06
Chapter 3. Basic Use	13
Powering On/Off	13
Adjusting the Volume.....	13
Making a call	13
Channel selection.....	13
Enter/Exit Menu	13
Chapter 4. Function Use	14
Chapter 5. Bluetooth program	19
Chapter 6. Trouble shooting	19
Appendix A. - Menu definitions.....	22
Appendix B. -Technical specifications.....	23



Inhalt

1. Erstmalige Einrichtung	27
Informationen zur Sicherheit	27
Was ist im Karton	28
Gürtelclip	29
Installieren & Entfernen des Akkupacks	30
Installieren & Entfernen der Antenne	30
Akku laden	31
2. Lernen Sie Ihr Funkgerät kennen	33
3. Grundsätzliche Bedienung	40
Ein-/Ausschalten	40
Lautstärke einstellen	41
Einen Anruf starten	41
Kanalwahl	41
Aufruf / Beenden des Menüs	41
4. Verwendung der Funktionen	42
5. Bluetooth-Programmierung	49
6. Fehlersuche	49
Anhang A. - Mögliche Menüeinstellungen	53
Anhang B. - Technische Spezifikationen	55



Chapter 1. Initial Setup

Safety Information

The following safety precautions should always be observed during operation, service and repair of this equipment.

- This equipment shall be serviced by qualified technicians only.
- Do not modify or taper with the radio for any reason.
- Use only Radioddity brand batteries and chargers intended for this model.
- Do not use any portable radio with a damaged antenna. If a damaged antenna comes into contact with your skin, a minor burn can result.
- Turn off your radio prior to entering any area with explosive and/or flammable materials.
- Do not charge your battery in an area with explosive or flammable materials.
- To avoid electromagnetic interference turn off the radio in any area where posted notices instruct to do so.
- Turn off the radio before boarding an aircraft; Any use of the radio must be in accordance with airline regulations or crew instructions.
- Turn off the radio before entering a blasting area.
- Do not place the radio over an air bag area or in the air bag deployment area for vehicles equipped with an air bag.
- Do not expose the radio to direct sunlight over a long period of time, nor place it close to any heat source.
- When transmitting with a portable radio, hold the radio in a vertical position with the microphone 3 to 4 centimeters away from your mouth; also make sure the antenna stays at least 2.5 centimeters away from your body when transmitting.



What's in the box

This transceiver comes shipped with the items below and is subject to change

Item	Quantity
Radio Body	1
Antenna	1
Li-ion Battery	1
Charger	1
Adaptor	1
Belt Clip	1
Hand Strap	1
User Manual	1

The radio is compatible with other accessories which are available on: <https://www.radioddity.com/>

Notice

Please make sure to install the antenna and fully charge the battery when using the radio.

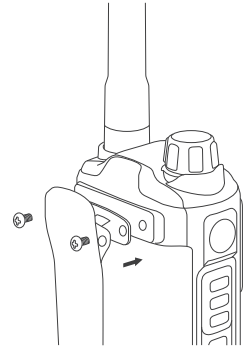
- *Do not over-tighten the antenna to avoid damage to the antenna or radio. When installing the antenna, grip it by the base and screw into the radio antenna connector.*
- *If you use another antenna, make sure its SWR is 1.5:1 or lower to avoid damage to the radio transceiver.*
- *Do not hold the antenna with your hand or wrap the antenna with any materials to avoid interference.*
- *Never transmit without an antenna. Doing so will damage the transmitter and void the warranty.*



Belt clip

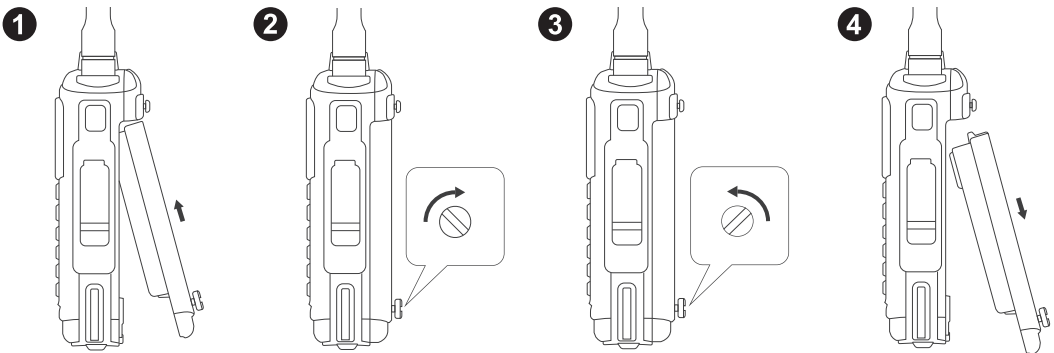
There are two screws mounted on the rear of the radio body where the belt clip attaches. Remove the two screws and align the belt clip with the holes where you removed the screws. Place the screws you removed into the belt clip and tighten them into the radio body.

- Do not add any form of glue or thread lock to the screws on the battery clip.
- The solvents in the glue may cause damage to the radio or battery casing.



Installing & Removing Battery

1. Match the two top grooves of the battery pack on the back of the radio and then push it.
2. Screw it clockwise to install the battery.
3. Unscrew counter-clock-wise to remove the battery.

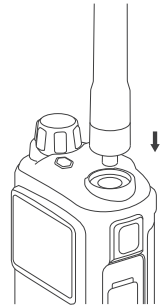




Installing & Removing Antenna

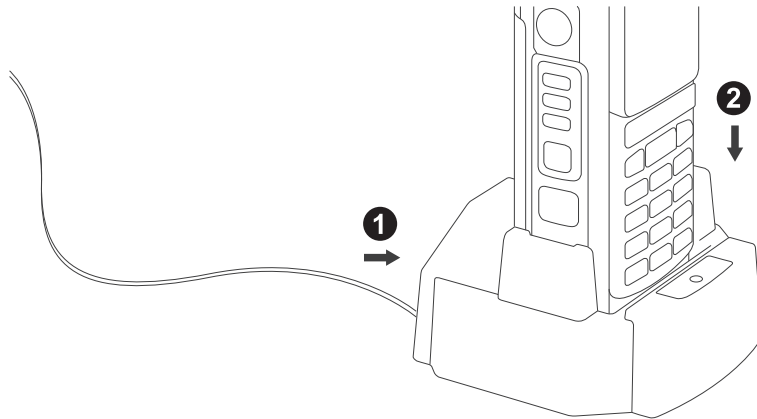
Screw the antenna into the connector on the top of the transceiver by holding the antenna at its base and turning it clockwise until secure.

Note: Turn the antenna counter-clockwise until you can remove it.



Charging Battery

Use only the charger and battery specified by the manufacturer. The charger LED indicates the charging progress.



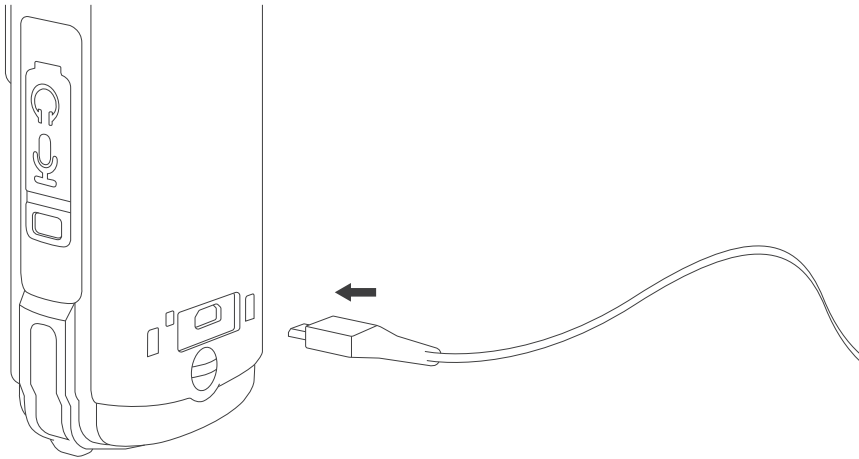
1. As ❶ shown, Plug the AC adaptor into the AC outlet, and then plug the cable of the AC adaptor into the DC jack located on the back of the charger.
2. As ❷ shown, Plug the radio into the charger. Make sure the battery terminals are good in contact with charging terminals.
3. The indicator light turns to red, the charging begins.
4. The indicator light turns to green, the charging is completed.



Charger LED indicator and charging status

LED indication	Charging status
Constant Green	Standby(no-load)
Constant Red	Charging
Constant Green	Fully Charged

USB Charging



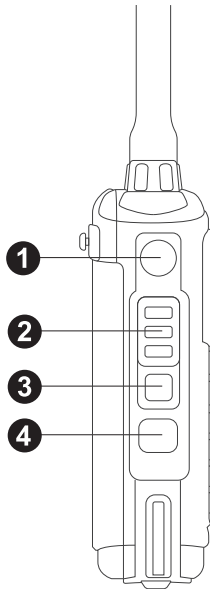
1. Plug the USB charging cable into the charging port on the back of the battery.
2. The indicator light turns to red, the charging begins.
3. The indicator light turns to green, the charging is completed.



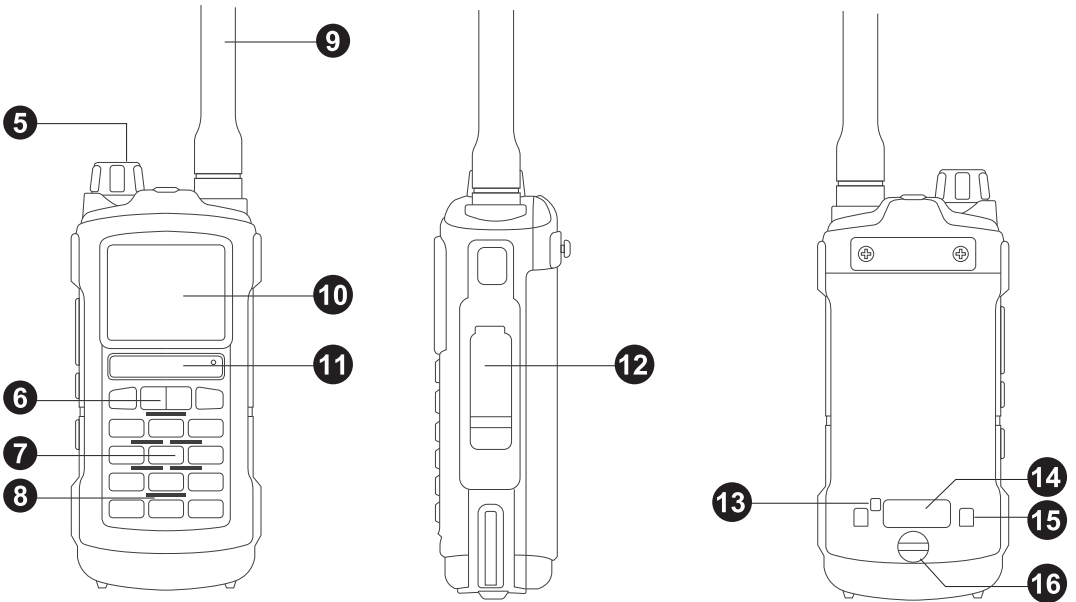
Battery LED Indicator and battery status

LED indication	Charging status
Constant Red	Charging
Constant Green	Fully Charged

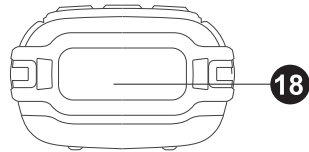
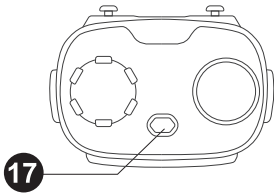
Chapter 2. Getting to know your radio



NO.	Part Name	NO.	Part Name
1	PF1 Key(LAMP Key)	3	PTT-2
2	PTT-1	4	PF2 Key(Programmed Key)



NO.	Part Name	NO.	Part Name
5	Power On/Off Volume Knob	11	Microphone
6	Function Keypad	12	Accessories Jack
7	Numeric Keypad	13	Charging Indicator
8	Speaker	14	USB Charging Port
9	Antenna	15	Battery Contacts
10	LCD Display	16	Battery Screw



NO.	Part Name	NO.	Part Name
17	LED Indicator	18	Flashlight

LCD Icon indicators

Icon	Radio Status
	Signal Strength level
	Low Power
	High Power
	DTMF activated
	CTCSS activated
	DCS activated
	Position: TX frequency= RX frequency+Offset frequency
	Negative: TX frequency= RX frequency-Offset frequency
	Dual watch/ dual reception functions activated
	Keypad lock function activated. Press [*] Key for 2 Seconds to unlock the keypad
	VOX function enabled
	Narrow Band selected



Icon	Radio Status
	Battery Level indicator
	A/B Band Direction, Operation frequency
	Bluetooth programming function activated

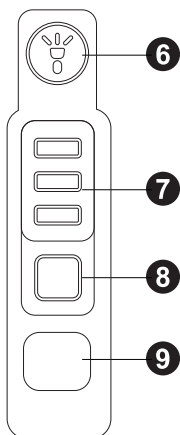
Function Keypad



NO.	Key	Function
①	[MENU]	Menu/Enter Key
②	[UP]	Press for 2 Seconds to up rapidly Change the Scan direction in scan status
③	[DOWN]	Press for 2 Seconds to down rapidly Change the Scan direction in scan status



NO.	Key	Function
4	[EXIT]	Exit/Delete Key Switch A/B Band in standby mode
5	[Numeric Keypad]	In Standby status: Input frequency in VFO mode Input channel number in Channel mode In Transmitting status: Input DTMF Code in transmitting status



NO.	Key	Function
6	[PF1]	LAMP Key, Short press to turn on/off flashlight Long press for emergency alarm
7	[PTT-1]	Press PTT-1 key to transmitting A Band
8	[PTT-2]	Press PTT-2 key to transmitting B Band



NO.	Key	Function
9	[PF2]	Short Press: FM/TX Power/Monitor/Scan Default: FM Long Press: FM/TX Power/Monitor/Scan Default: TX Power Note: PF2 Key can be setup in PC software.

Status LED

The status LED has a very simple and traditional design. When you receive a signal it shows green, when you transmit it shows red, and it's off in standby.

PF1 [Lamp Key]

To program the side key function via APP.

Short press [Lamp] to turn on the LED flashlight. Another short press will flash the LED. Another short press turns the flashlight off.

Long press this button to turn on the alarm function, long press again to close.

PTT-1 & PTT-2

Press PTT-1 key to transmit A Band; Press PTT-2 key to transmit B Band.

PF2 KEY

Short Press: FM/TX Power/Monitor/Scan Default: FM

Long Press: FM/TX Power/Monitor/Scan Default: TX Power

Note: PF2 Key can be setup in APP or PC software; side key functions include: FM Radio/ Power Switch/Monitor/Scan/Search Frequency.

Numeric keypad

The Radioddity GS-5B hand-held transceiver comes standard with a full numeric keypad.

In Standby status: Input frequency in VFO mode; input channel number in channel mode.



In Transmitting status: Input DTMF Code in transmitting signal.

*** Key**

The Radioddity GS-5B features a keypad lock that locks out all keys except for the four side keys.

To enable or disable the keypad lock, press and hold [*] key for about two seconds.

Key

To enable the scanner, press and hold [#] key for about two seconds.

0 Key

In standby, long press [0] Key to check the current battery voltage.

A/B Band switch [EXIT]

In standby, press [EXIT] Key to switch A/B Band. Main Band marked with ▶.

VFO/Channel switch

In standby, long Press [MENU] Key to switch between VFO and channel mode. If the channel list does not have a valid channel number, you cannot switch to channel mode.

Menu and function keys

The [MENU] key used to enter the menu and confirm menu options.

The [UP] and [Down] keys are used to navigate through the menu as well as select channels and step up or down in frequency (depending on operating mode).

The [EXIT] key is used to exit menus and cancel menu options.



Chapter 3. Basic Use

Powering On/Off

Turn the [Power/Volume knob] clockwise to switch the transceiver power ON till a click is heard.

Adjusting the Volume

Rotate the [Power/Volume knob] to adjust the volume. Turn clockwise to increase the volume and counter-clockwise to decrease the volume.

Making a call

Press and hold the [PTT] key on the side of the radio body to transmit. While transmitting, speak approximately 3-5cm from the microphone. When you release the [PTT] key, your transceiver will go back to receive mode.

Channel selection

There are two modes of operation: Frequency (VFO) mode, and Channel or Memory (MR) mode.

Enter/Exit Menu

Short press [MENU] key to enter menu. And press [UP/DOWN] key to select the function. Press [MENU] key to confirm. Press [EXIT] to exit.



Chapter 4. Function Use

Squelch

Squelch is used to mute the speaker when no signals are present (Squelch OFF). With the squelch level correctly set, you can hear the sound only while receiving signals (Squelch ON).

Operation: Menu---Radio Set---SQL---Select OFF/Level 1-5---MENU---EXIT

Transmit power

Select between HIGH and LOW transmitter power when in VFO/Frequency mode. Use the minimum transmitter power necessary to carry out the desired communications.

Operation: Menu---Radio Set---Trans Power ---Select High /Low--MENU---EXIT

Busy Lockout

Disable the [PTT] button on a channel that is already in use. The transceiver will sound a beep tone and will not transmit if the [PTT] button is pressed when a channel is already in use.

Operation: Menu---Radio Set---Busy Lockout---Select OFF/ON--MENU---EXIT

TOT

This feature provides a safety switch that limits transmission time to a programmed value. This will promote battery conservation by not allowing you to make excessively long transmission, and in the event of a stuck PTT switch it can prevent interference to other users as well as battery depletion.

Operation: Menu----Radio Set----Trans over time----Select OFF/30-240---MENU----EXIT



VOX

This function is not necessary to push the PTT on the transceiver for a transmission. Transmission is activated automatically by detecting the radio voice. When finish speaking, the transmission automatically terminated and the transceiver will automatically receive signal. Be sure to adjust the VOX Gain level to an appropriate sensitivity to allow smooth transmission.

Operation: Menu---- VOX Level---Select OFF/1/2/3---MENU----EXIT

VOX Delay

When the VOX is enabled, set up the VOX delay to help to extend the transmission time to avoid stopping a transmission too early.

Operation: Menu---Setting--- VOX Delay---Select 0.5~2S--MENU----EXIT

FM Radio

In standby, short press side key to turn on FM Radio.

FM range: 87.5-108MHz.

Note: In FM Radio mode, press [MENU] key to switch a FM frequency, and program the FM frequency through the numeric keys.

Scan

In standby, long press [#] key to turn on scan function, it supports channel list scan and frequency steps scan.

Operation: Menu--- Setting --- Scan Mode --- Select Time / Carrier / Search --- MENU --- EXIT.

Time Operation (TO): Scanning will stop when it detects an active signal, and after 5s, it resumes scanning.

Carrier Operation (CO): Scanning will stop when it detects an active signal, until the active signal disappears, and after 5s, It resumes scanning.

Search Operation (SE): Scanning will stop after it detects an active signal.

Note: In channel mode, scanning the channel numbers in the channel list. In frequency mode, scanning in frequency steps.



Dual Standby

After turn on dual standby function, you can wait two channels signals from Band A and Band B at the same time.

Operation: Menu----Advanced Setting----Dual Standby----Select OFF/ON---
Menu----EXIT

SOS

SOS function supports three modes: On site/Send sound/Send code.

On Site: The radio emits an alarm tone and does not send out signals to others.

Send Sound: Transmit the alarm sound through the signal.

Send Code: Transmit the alarm code through the signal.

Long press PF1(flashlight key) to turn on SOS mode.

Operation: Menu-- Advanced Setting --SOS mode----Select on site / send
sound / send code--Menu----EXIT.

CTCSS & DCS

CTCSS/DCS (Continuous Tone Coded Squelch System) / (Digital Coded Squelch)

Some times when you're working with larger groups of people using the same channel, things can get very crowded. To minimize this problem, CTCSS/DCS code will help you block out unwanted transmissions on your frequency have developed.

Operation: Menu --- CTCSS /DCS Setting --- Receive CTCSS / Receive DCS
/ Transmit CTCSS / Transmit CTCSS / Transmit DCS / encryption--- (OFF/67.0
-254.1) / (OFF/023-754) (OFF/67.0-254.1) / (OFF/023-754) / (OFF/ON) ---
Menu ---- EXIT.

Note: The encryption function only works between GS-5Bs. If you want to use the GS-5B to talk with other radios of different models in private mode, you can set the CTCSS/DCS codes but keep the encryption off.



Encryption

The encryption can be turned on/off in the programming software, or in the menu via keypad.

Operation: Menu --- CTCSS DCS --- #5 Encryption --- ON/OFF

This function will automatically configure non-standard digital subtones for the channel. When the encryption is enabled, your GS-5B can only talk to other GS-5Bs who also enables this function on the same channel.

Channel Storage

CH-Memory

This menu is used to store the frequency set in frequency mode and related parameter information.

CH-Delete

This menu is used to delete the programmed information from the specified channel (0 through 127) so that it can either be programmed again or be left empty. Delete channel parameters for the specified channel. If no "CH-" indicates that the channel has no parameters, the operation is invalid.

CH-Edit Name

This menu is used to edit the channel name only valid in channel mode

Operation: Menu --- Channel Storage --- CH-Memory/CH-Delete/CH-Edit Name --- Select 000-CH-127/000-CH-127/Edit Name--Menu----EXIT.

Search Frequency Mode

Operation: In VFO Mode --- Menu --- Search Frequency

In VFO mode, open this function and the radio will detect the frequency and CTCSS/DCS tones of nearby transmitters when they are transmitting. After obtain the channel frequency and subtones information in your GS-5B,



you can save it as a new channel by pressing menu --- channel storage --- CH-Memory --- select an empty channel to save the memory.

DTMF (Dual Tone Multiple-Frequency)

Transmit ANI code or DTMF code through DTMF. This radio supports 15 groups of DTMF code groups, each channel can be configured with the "Signal" parameters in the CPS-Channel Information to independently configure the corresponding DTMF code group. When the code is triggered to be sent, the radio will send out the corresponding DTMF code group automatically.

Note: Since the ANI code operation is independent of the DTMF code, if the ANI code conflicts with the DTMF code setting, the ANI code is sent.

In the PC software - Edit(E) --- DTMF --- setting each signal or A/B band can independently select the call code group to be sent.

In the PC software - Edit(E) --- DTMF --- ANI Code --- Set ANI code.

Press to Send: Transmit the code while push the PTT button.

Release to Send: Transmit the code while release the PTT button.

Note: If you've selected one of the above options, it will take effect to your radio despite of the different PTT-ID settings for each channel.

DTMF Speed (On Time): The duration of each symbol

DTMF Speed(Off Time): The interval time between two symbols

PTT-ID: Select when to send DTMF code

OFF: Do not send DTMF code

BOT: Automatically send DTMF code when press PTT

EOT: Automatically send DTMF code when release PTT

BOTH: Automatically send DTMF code when press and release PTT



Manual Send Code

This machine supports manual sending DTMF codes. Press the PTT button and enter the corresponding button to send the corresponding code. The corresponding table is as follows:

DTMF A	DTMF B	DTMF C	DTMF D
DTMF 1	DTMF 2	DTMF 3	
DTMF 4	DTMF 5	DTMF 6	
DTMF 7	DTMF 8	DTMF 9	
DTMF *	DTMF 0	DTMF #	

Send 1750Hz Tone

Press and hold the PTT + LED Flashlight buttons to send 1750Hz Tone.

Chapter 5. Bluetooth program

Press [MENU] Key to select Bluetooth to turn on this function.

After connecting the walkie talkie through the mobile phone Bluetooth, you can modify the frequency, channel information, function setting on the dedicated APP. The Bluetooth function will turn off automatically after finished the programming on the APP.

Note: When Bluetooth programming function is on, the radio cannot program via programming cable.

Chapter 6. Trouble shooting

If the solutions below cannot fix the problems for you, or you may have some other queries, please contact us o for more technical support.



Phenomena	Analysis	Solution
Power-on Failure	The battery may be improperly installed.	Remove the battery and reassemble it.
	The battery power may be used up.	Recharge or replace the battery.
	The battery is poorly connected due to dirtied or damaged battery contacts.	Clean the battery contacts. If the problem cannot be solved, contact your dealer or authorized service center for inspection and repair.
During receiving, the voice is weak, discontinuous or totally inactive.	Low battery voltage.	Recharge or replace the battery.
	Low volume level.	Increase the volume by rotating the Volume Control knob.
	The antenna may be loosened or improperly installed.	Reassemble the antenna after turning off the radio.
	The speaker may be blocked or damaged.	Clean the surface of the speaker. If the problem cannot be solved, contact your dealer or authorized service center for inspection and repair.
Unable to communicate with other members.	The frequency or signaling may be inconsistent with that of other members.	Set your TX/RX frequency and signaling to the same as that of other members.
	The channel type (digital/analog) may be set inconsistently.	Make sure all members are on the same digital/analog channel.
	You may be too far away from the group members.	Move towards other members.



Phenomena	Analysis	Solution
Irrelevant communication or noise is heard on the channel.	You may be interrupted by radios using the same frequency.	Change the frequency, or adjust the squelch level.
Irrelevant communication or noise is heard on the channel.	The radio may be set with no signaling.	Set signaling for all member radios to avoid interference at the same frequency. And change the signaling settings for all portable radios at the same time.
The noise is too loud.	You may be too far away from other members.	Move towards other members.
	You may locate in an unfavorable position. For example, your communication may be blocked by high buildings or frustrated in the underground areas.	Move to an open and flat area, and restart the radio to try again.
	You may suffer from external disturbance (such as electromagnetic interference).	Stay away from equipment that may cause interference.



Appendix A. - Menu definitions

Menu	Function/Description	Available settings
Radio Set	SQL(Squelch Level)	Level 0/1/2/3/4/5
	Transmit Power	High/Low
	Bandwidth	Wide 25K/Narrow 12.5K
	Busy Channel Lockout	ON/OFF
	TOT(Trans over time)	OFF/30/60/90/120/150/180/210/240s
VOX Level	Voice Operated Transmission	OFF/Level1/2/3
Setting	Battery Save	ON/OFF
	Dual Standby	ON/OFF
	SOS Mode	On Site/ Send Sound/Send Code
	Scan Mode	Time/Carrier/Search
	Back Light Time	Bright/5s/10s/15s/20s/30s/1min/ 2min/3min
	Beep Prompt	ON/OFF
	VOX Delay	0.5S/0.6S/....2.0S
	Menu Exit Time	5S/10S/15S...60S
	Keypad Auto Lock	ON/OFF
CTCSS/ DCS	Receive CTCSS	OFF/67.0HZ...241.HZ
	Receive DCS	OFF/D023N...D754I
	Transmit CTCSS	OFF/67.0HZ...241.HZ
	Transmit DCS	OFF/D023N...D754I
	Encryption	ON/OFF
Frequency Mode	Step	2.50/5.00/6.25/10.00/12.50/25.00/ 50KHz
	Direction	None/Plus/Minus



Menu	Function/Description	Available settings
Frequency Mode	Offset	00.000....69.990MHz
Channel Storage	CH-Memory	000,CH-001....CH-127
	CH-Delete	000,CH-001....CH-127
	CH-Edit Name	Name display can be set by PC software
Search Frequency	Search the other radio's TX frequency and CTCSS/DCS Code when it is in transmitting	
Bluetooth	Program on the dedicated APP	ON/OFF
About Radio	Hardware Version, Software Version	
Reset	VFO Mode	Delete all the setting in VFO mode
	Reset All	Delete all settings

Appendix B. -Technical specifications

General

General specifications

Specification	Value
Frequency Range (MHz)	VHF/UHF
Memory channels	128
Frequency stability	±2. 5ppm
Frequency step (kHz)	2.5K/5.0K/6.25K/10.0K/12.5K/20.0K/25.0K/50.0K
Antenna impedance	50 Ohm
Operating temperature	-20°C to +60°C



Specification	Value
Supply voltage	7.4V
Consumption	≤75mA (standby) 380mA (reception) ≤1.4A(transmission)
Mode of operation	Simplex or semi-duplex
Dimensions(mm)	135*60*40mm
Weight (g)	270g

Transmitter

Transmitter specifications

Specification	Value
RF power (W)	1/5W
Type of modulation	FM
Spurious emissions (dB)	<-60dB

Receiver

Receiver specifications

Specification	Value
Receiver sensitivity	0.25μV (a t 12dB SINAD)
Intermodulation	65/60dB
Audio Output	1000mW
Adjacent channel selectivity	65/60dB



DCS table

Table C.1. DCS Codes

OFF	D023N	D025N	D026N	D031N	D032N	D036N	D043N
D047N	D051N	D053N	D054N	D065N	D071N	D072N	D073N
D074N	D114N	D115N	D116N	D122N	D125N	D131N	D132N
D134N	D143N	D145N	D152N	D155N	D156N	D162N	D165N
D172N	D174N	D205N	D212N	D223N	D225N	D226N	D243N
D244N	D245N	D246N	D251N	D252N	D255N	D261N	D263N
D265N	D266N	D271N	D274N	D306N	D311N	D315N	D325N
D331N	D332N	D343N	D346N	D351N	D356N	D364N	D365N
D371N	D411N	D412N	D413N	D423N	D431N	D432N	D445N
D446N	D452N	D454N	D455N	D462N	D464N	D465N	D466N
D503N	D506N	D516N	D523N	D526N	D532N	D546N	D565N
D606N	D612N	D624N	D627N	D631N	D632N	D645N	D654N
D662N	D664N	D704N	D714N	D723N	D731N	D732N	D734N
D743N	D754N	D023I	D025I	D026I	D031I	D032I	D036I
D043I	D047I	D051I	D053I	D054I	D065I	D071I	D072I
D073I	D074I	D114I	D115I	D116I	D122I	D125I	D131I
D132I	D134I	D143I	D145I	D152I	D155I	D156I	D162I
D165I	D172I	D174I	D205I	D212I	D223I	D225I	D226I
D243I	D244I	D245I	D246I	D251I	D252I	D255I	D261I
D263I	D265I	D266I	D271I	D274I	D306I	D311I	D315I
D325I	D331I	D332I	D343I	D346I	D351I	D356I	D364I
D365I	D371I	D411I	D412I	D413I	D423I	D431I	D432I



D445I	D446I	D452I	D454I	D455I	D462I	D464I	D465I
D466I	D503I	D506I	D516I	D523I	D526I	D532I	D546I
D565I	D606I	D612I	D624I	D627I	D631I	D632I	D645I
D654I	D662I	D664I	D704I	D714I	D723I	D731I	D732I
D734I	D743I	D754I					

CTCSS table

Table C.2. CTCSS Frequencies

OFF	67.0	69.3	71.9	74.4	77.0	79.7	82.5
85.4	88.5	91.5	94.8	97.4	100.0	103.5	107.2
110.9	114.8	118.8	123.0	127.3	131.8	136.5	141.3
146.2	151.4	156.7	159.8	162.2	165.5	167.9	171.3
173.8	177.3	179.9	183.5	186.2	189.9	192.8	196.6
199.5	203.5	206.5	210.7	218.1	225.7	229.1	233.6
241.8	250.3	254.1					



1. Erstmalige Einrichtung

Informationen zur Sicherheit

Die folgenden Sicherheitsvorkehrungen sollten während des Betriebs, der Wartung und Reparatur des Gerätes beachtet werden.

- Das Funkgerät darf nur von qualifizierten Technikern gewartet werden.
- Das Funkgerät darf aus keinem Grund verändert oder modifiziert werden.
- Verwenden Sie nur für dieses Modell vorgesehene Akkus und Ladegeräte der Marke Radioddity.
- Verwenden Sie kein tragbares Funkgerät mit einer beschädigten Antenne. Wenn eine beschädigte Antenne mit Ihrer Haut in Berührung kommt, kann es zu leichten Verbrennungen kommen.
- Schalten Sie Ihr Funkgerät vollständig aus, bevor Sie einen Bereich mit explosiven und/oder entflammaren Materialien betreten.
- Laden Sie den Akku des Funkgerätes nicht in einem Bereich mit explosiven oder entflammaren Materialien.
- Um elektromagnetische Störungen zu vermeiden, schalten Sie das Funkgerät in allen Bereichen aus, in denen Sie durch Aushänge dazu aufgefordert werden. Dazu gehören beispielsweise Krankenhäuser, Arztpraxen und Tankstellen.
- Schalten Sie das Funkgerät vor dem Einsteigen in ein Flugzeug aus; jede Benutzung des Funkgerätes muss den Vorschriften der Fluggesellschaft oder den Anweisungen der Besatzung entsprechen.
- Schalten Sie das Funkgerät aus, bevor Sie einen Sprengplatz betreten.
- Platzieren Sie das Funkgerät nicht über einem Airbag-Bereich oder im Airbag-Einsatzbereich von Fahrzeugen, die mit einem Airbag ausgestattet sind.
- Setzen Sie das Funkgerät nicht über einen längeren Zeitraum direktem Sonnenlicht aus und stellen Sie es nicht in die Nähe von Wärmequellen.



- Wenn Sie mit einem tragbaren Funkgerät senden, halten Sie das Funkgerät in einer vertikalen Position, wobei das Mikrofon 3 bis 4 Zentimeter von Ihrem Mund entfernt sein muss. Achten Sie auch darauf, dass die Antenne beim Senden mindestens 2,5 Zentimeter von Ihrem Körper entfernt bleibt.

Was ist im Karton

Der Lieferumfang des Funkgeräts besteht aus den nachfolgend aufgeführten Teilen (Änderungen vorbehalten):

Artikel	Quantity
Funkgerät	1
Antenne	1
Li-Ion Akkupack	1
Ladeschale	1
Steckernetzteil	1
Gürtelclip	1
Handschlaufe	1
Benutzerhandbuch	1

Das Funkgerät ist mit anderem Zubehör kompatibel, welches Sie bei Radioddity (<https://www.radioddity.com/>) erhalten.

Hinweis:

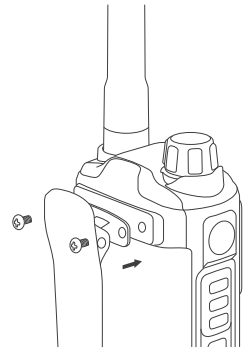
Bitte stellen Sie sicher, dass die Antenne installiert und der Akkupack vollständig aufgeladen ist, bevor Sie das Funkgerät benutzen.



- Um Schäden an der Antenne oder am Funkgerät zu vermeiden ziehen Sie die Antenne nicht zu fest an, Wenn Sie die Antenne installieren, fassen Sie sie am Fuß an und schrauben Sie sie in den Antennenanschluss des Funkgeräts.
- Wenn Sie eine andere Antenne verwenden, stellen Sie sicher, dass ihr SWR maximal 1,5:1 beträgt um Schäden am Funkgerät zu vermeiden.
- Um Störungen zu vermeiden, halten Sie die Antenne nicht mit der Hand fest und wickeln Sie die Antenne nicht mit irgendwelchen Materialien ein,
- Senden Sie niemals ohne Antenne. Andernfalls wird der Sender beschädigt und die Garantie erlischt.

Gürtelclip

An der Rückseite des Funkgerätes sind zwei Schrauben angebracht, an denen der Gürtelclip befestigt werden kann. Entfernen Sie die beiden Schrauben und richten Sie den Gürtelclip auf die Löcher aus, an denen Sie die Schrauben entfernt haben. Befestigen Sie nun mit den zuvor entfernten Schrauben den Gürtelclip am Gehäuse des Funkgerätes.



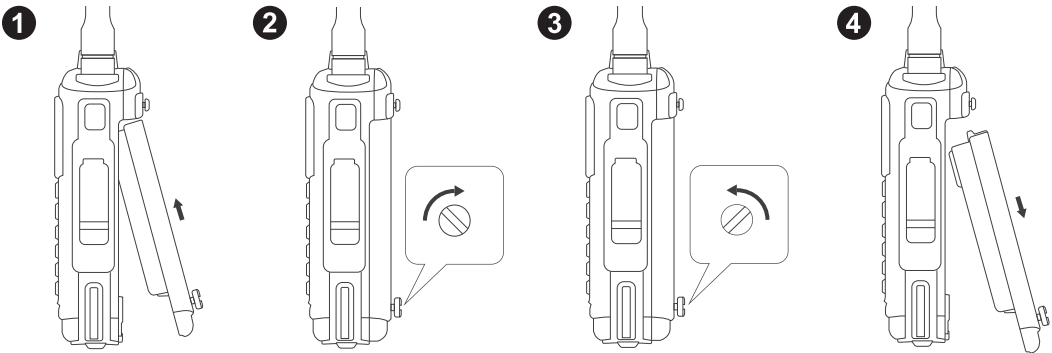
Hinweis:

Die beiden Schrauben niemals mit Schraubensicherungslack oder vergleichbarem Klebstoff sichern. Die im Klebstoff enthaltenen Lösungsmittel können Schäden am Funkgerät oder am Akkupack verursachen.



Installieren & Entfernen des Akkupacks

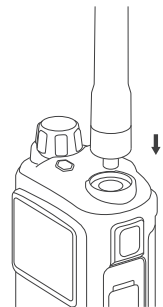
1. Setzen Sie die beiden oberen Nasen des Akkupacks in die entsprechenden Nuten des Funkgerätegehäuses ein.
2. Drehen Sie die Sicherungsschraube des Akkupacks im Uhrzeigersinn, um den Akkupack zu arretieren.
3. Um den Akkupack zu entfernen, drehen Sie die Sicherungsschraube entgegen dem Uhrzeigersinn.
4. Entnehmen Sie den Akkupack.



Installieren & Entfernen der Antenne

Schrauben Sie die Antenne in den Anschluss auf der Oberseite des Funkgeräts, indem Sie die Antenne an ihrem Fuß festhalten und im Uhrzeigersinn drehen, bis diese fest sitzt.

Um die Antenne zu entfernen, drehen Sie sie entgegen dem Uhrzeigersinn.

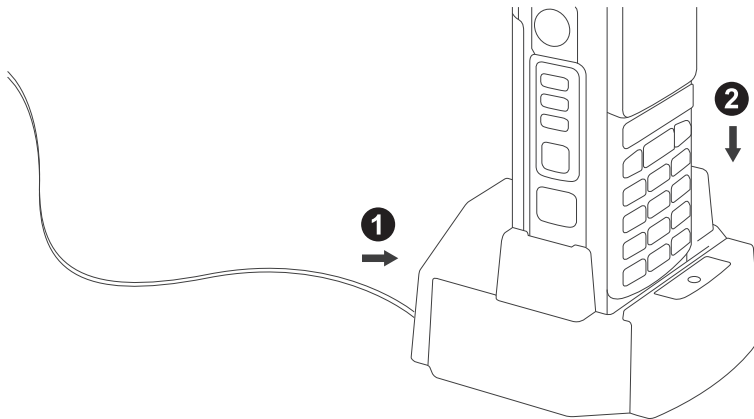




Akku laden

Laden des Akkupacks in der Ladeschale

Verwenden Sie nur das vom Hersteller angegebene Ladegerät und den original Akkupack. Die LED des Ladegeräts zeigt den Ladevorgang an.



1. Stecken Sie das Steckernetzteil in die Netzsteckdose. Stecken Sie das Kabel des Steckernetzteils in die Gleichstrombuchse auf der Rückseite der Ladeschale.
2. Stellen Sie das Funkgerät in die Ladeschale. Stellen Sie sicher, dass dabei die Akkukontakte die Ladkontakte berühren.
3. Sobald der Ladevorgang beginnt, leuchtet die Ladekontroll-LED der Ladeschale rot auf.
4. Sobald der Ladevorgang abgeschlossen ist, leuchtet die Ladekontroll-LED der Ladeschale grün auf.

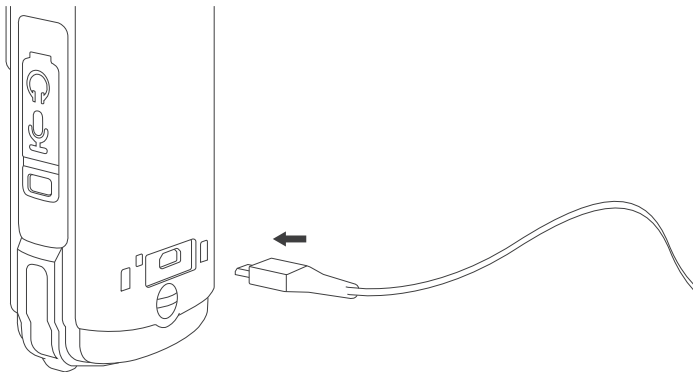


Status des Ladeschale

Ladekontroll-LED	Status des Ladegeräts
dauerhaft grün	Betriebsbereit (kein Akkupack eingesetzt)
dauerhaft rot	Aktiver Ladevorgang
dauerhaft grün	Ladevorgang abgeschlossen

Laden des Akkupacks über den USB-Anschluss

Verwenden Sie nur das vom Hersteller angegebene USB-Ladekabel. Die LED des Ladegeräts kann den Ladestatus anzeigen.



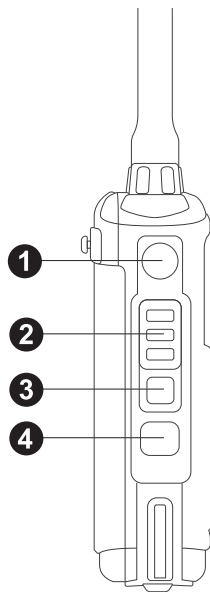
1. Stecken Sie das micro-USB-Ladekabel in den Ladeanschluss auf der Rückseite des Akkupacks. Öffnen Sie hierzu zunächst die entsprechende Abdeckung des micro-USB-Anschlusses.
2. Sobald nun der Ladevorgang beginnt, leuchtet die Ladekontroll-LED des Akkupacks rot auf.
3. Sobald der Ladevorgang abgeschlossen ist, leuchtet die Ladekontroll-LED des Akkupacks grün auf.



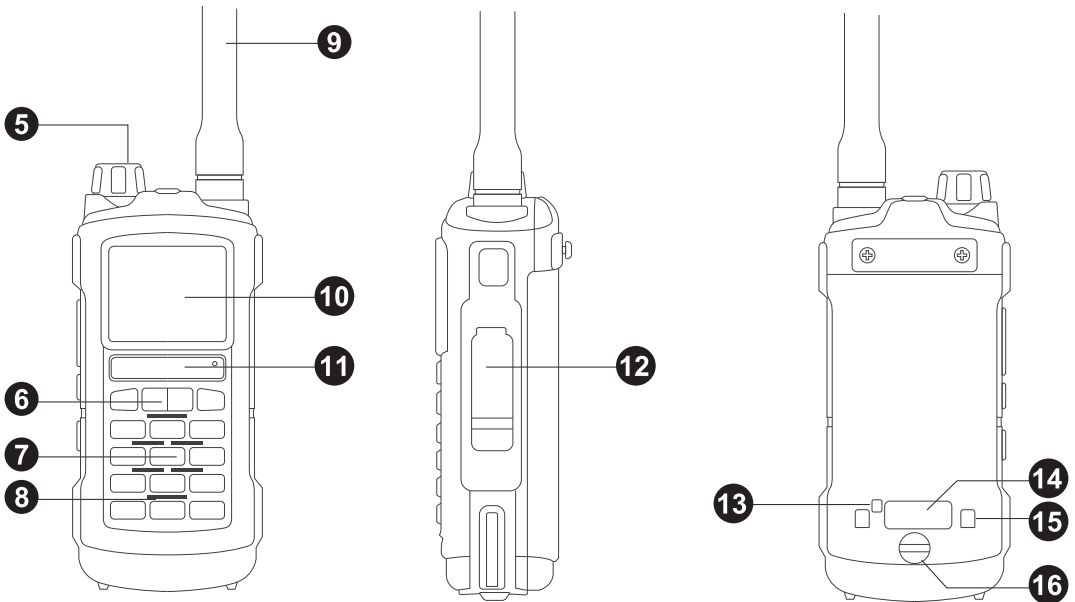
Akkupack Ladekontroll-LED

Ladekontroll-LED	Status des Ladevorgangs
dauerhaft rot	Aktiver Ladevorgang
dauerhaft grün	Ladevorgang abgeschlossen

2. Lernen Sie Ihr Funkgerät kennen



#	Bezeichnung	#	Bezeichnung
1	PF1 Taste (für Taschenlampe)	3	PTT-2
2	PTT-1	4	PF2-Taste (programmierbare Funktionstaste)



#	Bezeichnung	#	Bezeichnung
5	Ein/Aus-Lautstärkereger	11	Mikrofon
6	Funktionstasten	12	Anschluss für Zubehör
7	Numerische Tastatur	13	Ladekontroll-LED des Akkupacks
8	Lautsprecher	14	Micro-USB-Anschluss zum Laden
9	Antenne	15	Akku-Kontakte (für normales Ladegerät)
10	LCD-Anzeige	16	Sicherungsschraube für Akkupack



#	Bezeichnung	#	Bezeichnung
17	Status-LED	18	Taschenlampe

Piktogramme der LCD-Anzeige

Piktogramm	Bedeutung
	Signalstärke
	Niedrige Ausgangsleistung (LOW)
	Hohe Ausgangsleistung (HIGH)
	DTMF aktiviert
	CTCSS aktiviert
	DCS aktiviert
	Sendefrequenz = Empfangsfrequenz + Offset
	Sendefrequenz = Empfangsfrequenz - Offset
	Überwachung beider Frequenzbänder
	Tastatursperre aktiviert. Drücken Sie die Taste [*] für 2 Sekunden, um die Tastatur wieder zu entsperren.
	VOX aktiviert
	Schmalband (Narrow.-Band) ausgewählt.



Piktogramm	Bedeutung
	Ladezustand des Akkupacks
	A/B-Band-Richtung, Betriebsfrequenz
	Bluetooth-Programmierung aktiviert

Fronttastatur

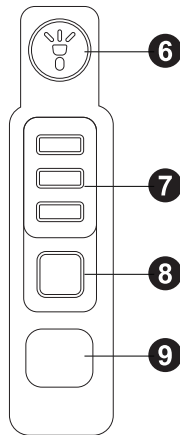


#	Taste	Funktion
1	[MENU]	Menü / Eingabetaste
2	[AUF]	Für schnelles Erhöhen 2 Sekunden betätigen. Änderung der Scan-Richtung (im Scan-Betrieb)
3	[AB]	Für schnelles Verringern 2 Sekunden betätigen. Änderung der Scan-Richtung (im Scan-Betrieb)



#	Key	Function
4	[EXIT]	Taste zum Verlassen / Löschen
5	[Numerische Tastatur]	Im Standby-Modus: Eingabe der Frequenz, sofern im VFO-Betrieb. Ansonsten Eingabe der Kanalnummer Während des Sendevorgangs: Aussenden der entsprechenden DTMF-Codes

Seitliche Funktionstasten



#	Taste	Funktion
6	[PF1]	Taste für Taschenlampe: Kurze Betätigung: Ein-/Ausschalten Lange Betätigung: Notfallalarm
7	[PTT-1]	Zum Senden auf Band A
8	[PTT-2]	Zum Senden auf Band B





#	Taste	Funktion
9	[PF2]	Kurze Betätigung: FM-Radio Lange Betätigung: Sendeleistung Hinweis: Die Funktion der Taste kann mit der PC-Software geändert werden. Mögliche Funktionen: FM-Radio / Sendeleistung / Monitor / Scan / Suchlauf

Status LED

Die Status-LED hat die klassische Funktion. Wenn Sie ein Signal empfangen, leuchtet sie grün, wenn Sie senden, leuchtet sie hingegen rot. Im Standby ist sie ausgeschaltet.

PF1 []

Drücken Sie kurz auf , um die LED-Taschenlampe einzuschalten. Ein weiterer kurzer Druck auf  lässt die Taschenlampe blinken. Ein weiterer kurzer Druck schaltet die Taschenlampe aus.

Ein langer Druck auf diese Taste schaltet die Alarmfunktion ein, ein weiterer langer Druck beendet diese wieder.

PTT-1 & PTT-2

Drücken Sie die PTT-1-Taste, um im A-Band zu senden. Drücken Sie die PTT-2-Taste, um hingegen im B-Band zu senden.

PF2-Taste

Kurze Betätigung: FM-Radio

Lange Betätigung: Sendeleistung

Hinweis: Die PF2-Taste kann mit der APP programmiert werden. Folgende Funktionen sind möglich: FM-Radio / Sendeleistung / Monitor / Scan / Suchfrequenz
In der Software wird die Taste mit „Skey“ bezeichnet.



Numerische Tastatur

Das Radioddity GS-5B Handfunkgerät verfügt von Hause aus über eine numerische Tastatur.

Im Standby-Modus: Eingabe der Frequenz, sofern im VFO-Betrieb. Ansonsten Eingabe der Kanalnummer

Wird hingegen eine der numerischen Tasten während des Sendevorgangs betätigt, so wird der entsprechende DTMF-Code ausgesendet.

*-Taste

Das Radioddity GS-5B verfügt über eine Tastatursperre. Dabei sind, bis auf die vier seitlichen Tasten, alle übrigen Tasten gesperrt.

Um die Tastensperre zu aktivieren oder zu deaktivieren, halten Sie die Taste [*] etwa zwei Sekunden lang gedrückt.

#-Taste

Um den Scanner zu aktivieren, halten Sie die Taste [#] etwa zwei Sekunden lang gedrückt.

0-Taste

Drücken Sie im Standby lange auf die Taste [0] um die aktuelle Batteriespannung zu überprüfen.

A/B Band Schalter [EXIT]

Drücken Sie im Standby auf die Taste [EXIT], um das Hauptband zwischen A- und B-Band umzuschalten. Das Hauptband ist mit ► gekennzeichnet.



VFO/Kanal Schalter

Drücken Sie im Standby lange auf [MENU], um zwischen VFO- und Kanalmodus zu wechseln.

Wenn die Kanalliste keine gültige Kanalnummer hat, können Sie nicht in den Kanalmodus wechseln.

Menü und Funktionstasten

Durch Betätigen der Taste [MENU] rufen Sie das Menü auf und bestätigen Ihre gewählten Optionen und Eingaben.

Die Tasten für AUF und AB dienen zur Navigation durch das Menü sowie zur Auswahl von Kanälen und zur Frequenzerhöhung bzw. -senkung (je nach Betriebsart).

Die Taste [EXIT] dient zum Verlassen von Menüs und zum Abbrechen von Menüoptionen.

Programmierbare seitliche Funktionstaste PF2

Die seitliche Funktionstaste PF2 ist mit der APP programmierbar. Dabei sind folgende Funktionen möglich: FM-Radio / Sendeleistung / Monitor / Scan / Suchlauf

3. Grundsätzliche Bedienung

Ein-/Ausschalten

Um das Gerät einzuschalten, drehen Sie den Lautstärkereglern im Uhrzeigersinn, bis Sie ein Klickgeräusch hören.



Lautstärke einstellen

Um die Lautstärke des Sprachempfangs zu erhöhen, drehen Sie den Lautstärkeregler im Uhrzeigersinn, um die Lautstärke des Sprachempfangs zu verringern, drehen Sie ihn entgegen des Uhrzeigersinns.

Einen Anruf starten

Halten sie das Funkgerät senkrecht und etwa 3-5cm vor Ihren Mund. Drücken Sie nun eine der beiden Sprech Tasten (PTT-1 oder PTT-2) um den Ruf auf dem entsprechenden Band zu initiieren. Die Status-LED leuchtet rot.

Lassen Sie die Sprech Tasten (PTT) wieder los um wieder auf Empfang umzuschalten. Die Status-LED leuchtet grün sobald der Angerufene antwortet.

Hinweis:

PTT steht für das englische „Press To Talk“ = „Drücken um zu sprechen“.

Kanalwahl

Es gibt zwei Betriebsarten: Frequenzmodus (VFO) und Kanal- bzw. Speichermodus (MR).

Aufruf / Beenden des Menüs

Drücken Sie kurz die Taste [MENU], um das Menü aufzurufen. Und drücken Sie die Taste [AUF/AB], um eine Funktion auszuwählen. Drücken Sie die Taste [MENU] zur Bestätigung. Drücken Sie die Taste [EXIT], um das Menü zu verlassen.



4. Verwendung der Funktionen

Rauschsperr

Die Rauschsperr (engl. Squelch) dient zur Stummschaltung des Lautsprechers, wenn kein Signal empfangen wird (Squelch OFF). Wenn passender Einstellung des Rausch-Pegels wird das Signal nur dann über den Lautsprecher ausgegeben, wenn die Signalqualität ausreichend ist. (Squelch ON).

[MENU]-->Radio Setting-->squelch level-->Select OFF/1-5-->[MENU]-->[EXIT]

Sendeleistung

Wählt im VFO-/Frequenzmodus zwischen hoher (HIGH) und niedriger (LOW) Senderleistung aus. Verwenden Sie stets die niedrigste Senderleistung, die zur Durchführung der gewünschten Kommunikation erforderlich ist.

[MENU]-->Radio Setting-->Transmit power-->Select High /low-->[MENU]-->[EXIT]

Besetzt-Kanal-Sperre

Deaktiviert die Sendefunktion auf einem Kanal, der aktuell bereits verwendet wird. Der Transceiver gibt einen Piepton ab und sendet nicht, wenn die entsprechende [PTT]-Taste gedrückt wird und der gewählte Kanal bereits verwendet wird.

[MENU]-->Radio Setting-->Busy Channel Lock-out-->Select OFF/ON-->[MENU]-->[EXIT]



TOT

Mit aktivierter TOT-Funktion (engl. Time Out Timer) können Sie für das Senden eine Zeitbegrenzung zwischen 30 und 240 Sekunden festlegen. Diese Funktion bietet eine Art Sicherheitsschalter, der die Übertragungszeit auf den programmierten Wert begrenzt. Dies schont zudem den Akku, da Sie keine übermäßig langen Übertragungen durchführen können. Im Falle einer verklemmten Sprechaste werden dadurch Störungen anderer Benutzer sowie eine Entladung des Akkus verhindert. Der Sendevorgang wird spätestens nach der voreingestellten Zeitdauer (zwischen 30 und 240 Sekunden) beendet.

[MENU]-->Radio Setting-->TOT-->Select OFF/30-240-->[MENU]-->[EXIT]

VOX

VOX (engl. Voice Operated eXchange) bewirkt, dass das Funkgerät automatisch sendet, wenn Sie mindestens mit einem bestimmten Lautstärkepegel in das Mikrofon des Funkgeräts sprechen. Da diese "Freisprecheinrichtung" per Software aktiviert wird, ist es nicht notwendig, die Sprechaste für die Übertragung zu verwenden. Die Software erlaubt eine Einstellung des „VOX Levels“ zwischen „1“ und „3“ um die Empfindlichkeit einzustellen, bei der eine Übertragung ausgelöst werden soll. Dies kann zwischen dem internen Mikrofon und einem externen (Headset) durchaus variieren. Achten Sie darauf, den VOX-Verstärkungspegel auf eine angemessene Empfindlichkeit einzustellen, um eine reibungslose Übertragung zu ermöglichen.

[MENU]-->Setting-->VOX Level-->Select OFF/1/2/3-->[MENU]-->[EXIT]

VOX Delay

Wenn VOX aktiviert wurde, stellen Sie hiermit die VOX-Verzögerung ein, um die Übertragungszeit zu verlängern, damit eine Übertragung nicht zu früh abgebrochen wird.

[MENU]-->Setting-->VOX Delay-->Select 0.5~2S-->[MENU]-->[EXIT]



FM Radio

Drücken Sie im Standby-Modus kurz die seitliche Funktionstaste PF2, um das FM-Radio einzuschalten.

FM-Empfangsbereich: 87.5-108MHz.

Hinweis:

Drücken Sie im FM-Radiomodus die Taste [MENU], um eine FM-Frequenz umzuschalten, und programmieren Sie die FM-Frequenz über die Zifferntasten. Drücken Sie die Taste [#] lange, um einen Sendersuchlauf zu starten.

Scan

Drücken Sie im Standby-Modus lange auf die Taste [#], um die Scanfunktion zu aktivieren, sie unterstützt den Scan der Kanalliste und den Scan der Frequenzschritte.

[MENU]-->Setting-->Scan mode-->Select Time/Carrier/Search-->[MENU]
-->[EXIT]

Zeitbetrieb (TO, engl. Time Operation): Der Scanvorgang wird gestoppt, wenn ein aktives Signal erkannt wird, und nach 5 Sekunden wird der Scanvorgang wieder fortgesetzt.

Trägerbetrieb (CO, engl. Carrier Operation): Der Scanvorgang stoppt, wenn ein aktives Signal erkannt wird, bis das aktive Signal verschwindet, und nach 5 Sekunden wird der Scanvorgang wieder fortgesetzt.

Suchbetrieb (SE, engl. SEArch Operation): Der Scanvorgang stoppt, wenn ein aktives Signal erkannt wird.

Hinweis:

Im Kanalmodus werden die Kanalnummern in der Kanalliste gescannt. Im Frequenzmodus erfolgt der Scanvorgang in Frequenzschritten.



Dual Standby

Nach dem Einschalten der Dual-Standby-Funktion können Sie die beiden Kanalsignale von Band A und Band B gleichzeitig überwachen.

[MENU]-->Advanced Setting-->Dual Standby-->Select OFF/ON-->[MENU]
-->[EXIT]


SOS

Die SOS-Funktion unterstützt drei Modi: Vor Ort / Alarmton senden / Code senden.

Vor Ort (engl. On Site): Über den Lautsprecher ertönt ein Alarmton. Dieser wird nicht ausgesendet.

Alarmton senden (engl. Send Sound): Es wird ein Alarmton ausgesendet.

Code senden (engl. Send Code): Es wird ein Alarmcode ausgesendet.

Drücken Sie Taste  lange, um den SOS-Modus zu aktivieren.

[MENU]-->Advanced Setting-->SOS mode-->Select on site/send sound/send code-->[Menu]-->[EXIT]

CTCSS & DCS

CTCSS/DCS (Continuous Tone Coded Squelch System) / (Digital Coded Squelch)

Wenn viele Funkstationen den selben Funkkanal benutzen, wird es für den Einzelnen schnell sehr schwer eine Gelegenheit zu finden, seine Aussendung vorzunehmen.

Bei CTCSS sowie DCS handelt es sich um eine Signalisierungsart unter Verwendung von Tönen im nicht hörbaren Frequenzbereich (sogenannte Subaudio-Töne). Damit wird verhindert, dass das Funkgerät unerwünschte Signale auf der gleichen Frequenz hörbar macht. Wenn CTCSS/DCS eingestellt ist, können Sie innerhalb des Empfangsbereichs nur Signale von derselben Frequenz mit identischer CTCSS/DCS-Einstellung hören. Wenn CTCSS/DCS hingegen ausgeschaltet ist, empfangen Sie alle Signale der gewählten Empfangsfrequenz innerhalb des Empfangsbereichs.



[MENU]-->CTCSS/DCS Setting-->Receive CTCSS/Receive DCS/Transmit CTCSS/Transmit CTCSS /Transmit DCS/encryption-->(OFF/67.0-254.1)/(OFF/023-754)(OFF/67.0-254.1)/(OFF/023-754)/(OFF/ON)-->[MENU]-->[EXIT]

Mögliche DCS Codierung

OFF	D023N	D025N	D026N	D031N	D032N	D036N	D043N
D047N	D051N	D053N	D054N	D065N	D071N	D072N	D073N
D074N	D114N	D115N	D116N	D122N	D125N	D131N	D132N
D134N	D143N	D145N	D152N	D155N	D156N	D162N	D165N
D172N	D174N	D205N	D212N	D223N	D225N	D226N	D243N
D244N	D245N	D246N	D251N	D252N	D255N	D261N	D263N
D265N	D266N	D271N	D274N	D306N	D311N	D315N	D325N
D331N	D332N	D343N	D346N	D351N	D356N	D364N	D365N
D371N	D411N	D412N	D413N	D423N	D431N	D432N	D445N
D446N	D452N	D454N	D455N	D462N	D464N	D465N	D466N
D503N	D506N	D516N	D523N	D526N	D532N	D546N	D565N
D606N	D612N	D624N	D627N	D631N	D632N	D645N	D654N
D662N	D664N	D704N	D714N	D723N	D731N	D732N	D734N
D743N	D754N	D023I	D025I	D026I	D031I	D032I	D036I
D043I	D047I	D051I	D053I	D054I	D065I	D071I	D072I
D073I	D074I	D114I	D115I	D116I	D122I	D125I	D131I
D132I	D134I	D143I	D145I	D152I	D155I	D156I	D162I
D165I	D172I	D174I	D205I	D212I	D223I	D225I	D226I
D243I	D244I	D245I	D246I	D251I	D252I	D255I	D261I
D263I	D265I	D266I	D271I	D274I	D306I	D311I	D315I



D325I	D331I	D332I	D343I	D346I	D351I	D356I	D364I
D365I	D371I	D411I	D412I	D413I	D423I	D431I	D432I
D445I	D446I	D452I	D454I	D455I	D462I	D464I	D465I
D466I	D503I	D506I	D516I	D523I	D526I	D532I	D546I
D565I	D606I	D612I	D624I	D627I	D631I	D632I	D645I
D654I	D662I	D664I	D704I	D714I	D723I	D731I	D732I
D734I	D743I	D754I					

Mögliche CTCSS Codierung

OFF	67.0	69.3	71.9	74.4	77.0	79.7	82.5
85.4	88.5	91.5	94.8	97.4	100.0	103.5	107.2
110.9	114.8	118.8	123.0	127.3	131.8	136.5	141.3
146.2	151.4	156.7	159.8	162.2	165.5	167.9	171.3
173.8	177.3	179.9	183.5	186.2	189.9	192.8	196.6
199.5	203.5	206.5	210.7	218.1	225.7	229.1	233.6
241.8	250.3	254.1					

Kanalspeicher

CH-Memory: Dieses Menü dient zum Speichern der im Frequenzmodus eingestellten Frequenz und der damit verbundenen Parameter.

CH-Delete: Dieses Menü wird verwendet, um die programmierten Informationen aus dem angegebenen Kanal (0 bis 127) zu löschen, so dass sie entweder erneut programmiert oder leer gelassen werden können. Löscht Kanalparameter für den angegebenen Kanal. Wenn kein "CH-" angezeigt wird, bedeutet dies, dass der Kanal keine Parameter hat. Die Operation ist in einem solchen Fall nicht zulässig.



CH -edit Name-: Dieses Menü wird zur Bearbeitung des Kanalnamens verwendet.

[MENU]-->Channel Storage-->CH-Memory/CH-Delete/CH-Edit Name-->Select 000-CH-127/000-CH-127/Edit Name-->[MENU]-->[EXIT]

Frequenzsuchlauf

Suchen Sie die Sendefrequenz sowie den CTCSS/DCS-Code des anderen Funkgeräts, wenn es gerade sendet.

PTT-ID

Mit dieser Funktion können Sie wissen, wer Sie anruft. ANI-Code oder DTMF-Code werden per DTMF übertragen. Durch DTMF stehen bis zu 15 Gruppen zur Verfügung.

In der PC-Software: Kann über *Edit-->DTMF-setting* für jedes Signal oder A/B-Band unabhängig die zu sendende Rufcodegruppe ausgewählt werden. In der PC-Software wird über *Edit -->DTMF-->ANI Code* der ANI code eingestellt.

- **Press to Send:**

Übertragung des Codes, sobald Sie die PTT-Taste gedrückt wird.

- **Release to Send:**

Übertragung des Codes, sobald Sie die PTT-Taste losgelassen wird.

- **BOTH:**

Übertragung des Codes, sobald Sie die PTT-Taste gedrückt oder aber losgelassen wird.

Hinweis:

Die Aussendung des ANI-Codes ist unabhängig von der Aussendung eines DTMF-Codes. Wenn daher der ANI-Code mit der Einstellung eines DTMF-Codes kollidiert, so wird der ANI-Code gesendet.



1750Hz Ton

Der Benutzer benötigt für die Langstreckenkommunikation ein verstärktes Signal, welches durch einen 1750Hz Ton aktiviert wird. Drücken und halten Sie hierzu die Tasten [PTT] +[LED], um ein 1750Hz Signal auszusenden.

5. Bluetooth-Programmierung

Drücken Sie die Taste [MENU], um Bluetooth zum Einschalten dieser Funktion zu wählen.

Nachdem Sie das Funkgerät über Bluetooth mit dem Mobiltelefon verbunden haben, können Sie die Frequenz-, Kanal- und Funktionseinstellungen über die spezielle Smartphone-App ändern. Die Bluetooth-Funktion schaltet sich nach Abschluss der Programmierung über die Smartphone-App automatisch wieder aus.

Hinweis:

Bei eingeschalteter Bluetooth-Programmierungsfunktion ist eine Programmierung des Funkgeräts über das Programmierkabel nicht möglich.

6. Fehlersuche

Sofern Sie mit den nachfolgend aufgeführten Lösungshinweise ihr Problem nicht beseitigt bekommen oder Sie weitergehende Fragen haben, so wenden Sie sich bitte an uns für weitere, technische Unterstützung.

Verhalten	Ursache	Lösung
Gerät lässt sich nicht einschalten	Der Akkupack ist nicht korrekt installiert.	Entfernen Sie den Akkupack und setzen Sie ihn korrekt ein.
	Der Akkupack ist entladen.	Tauschen Sie den Akkupack oder laden Sie diesen auf.



Verhalten	Ursache	Lösung
Gerät lässt sich nicht einschalten	Die Kontakte zwischen Akkupack und Funkgerät sind verschmutzt.	Reinigen Sie die Kontakte. Falls das Problem damit nicht gelöst werden kann, kontaktieren Sie Ihren Händler oder ein autorisiertes Servicecenter.
Während des Empfangs ist das Signal nur schwach zu hören, hat Aussetzer oder ist völlig inaktiv.	Niedrige Akkuspannung	Laden Sie den Akkupack auf oder tauschen Sie ihn aus.
	Niedriger Lautstärkepegel	Erhöhen Sie die Lautstärke durch Drehen des Lautstärkereglers.
	Der feste Sitz der Antenne hat sich gelockert oder die Antenne ist nicht korrekt montiert.	Schalten Sie das Funkgerät aus und montieren Sie die Antenne korrekt.
	Der Lautsprecher ist mit Fremdkörpern verstopft oder wurde beschädigt.	Reinigen Sie die Oberfläche des Lautsprechers. Wenn das Problem nicht gelöst werden kann, wenden Sie sich an Ihren Händler oder ein autorisiertes Servicezentrum zum Zwecke einer Wartung oder Reparatur.



Verhalten	Ursache	Lösung
Es ist nicht möglich, mit anderen Stationen zu kommunizieren.	Die Frequenz oder die Signalisierungsart ist nicht identisch mit der der anderen Stationen.	Stellen Sie Ihre Send-/Empfangsfrequenz sowie Signalisierungsart (DCS/CTCSS) so ein, dass sie mit der der anderen Stationen identisch ist..
	Der Kanaltyp digital/ analog kann inkonsistent eingestellt sein.	Stellen Sie sicher, dass alle Stationen den gleichen analogen Kanal verwenden. Ein digitaler Betrieb (zB DMR) wird von diesem Funkgerät nicht unterstützt.
	Eventuell sind Sie zu weit von den anderen Stationen entfernt.	Bewegen Sie sich in Richtung der anderen Stationen.
Auf dem Funkkanal sind andere Funksignale oder Geräusche zu hören	Sie können von Funkgeräten, welche dieselbe Frequenz verwenden, unterbrochen werden.	Ändern Sie die Frequenz oder stellen Sie den Rauschpegel entsprechend ein.
	Beim Funkgerät wurde keine besondere Signalisierungsart (CTCSS/DCS) eingestellt.	Stellen Sie die Signalisierungsart für alle Funkgeräte identisch ein, um Interferenzen zu vermeiden. Ändern Sie die Signalisierungseinstellungen bei allen Funkgeräten zur gleichen Zeit.



Verhalten	Ursache	Lösung
Das zu hörende Rauschen überwiegt das eigentliche Sprachsignal.	Möglicherweise sind Sie zu weit von anderen Stationen entfernt.	Bewegen Sie sich in Richtung der anderen Stationen.
	Sie könnten sich in einer ungünstigen Lage befinden. So kann Ihre Kommunikation beispielsweise durch hohe Gebäude blockiert oder in den unterirdischen Bereichen unterdrückt sein.	Gehen Sie zu einem offenen und ebenen Bereich und versuchen Sie es erneut.
	Externe Quellen können Störungen verursachen [wie z.B. elektromagnetische Interferenzen].	Halten Sie sich von Geräten fern, die derartige Störungen verursachen können.



Anhang A. - Mögliche Menüeinstellungen

Menü	Funktion/Beschreibung	Mögliche Werte
Radio Set	SQL (Rauschsperr)	0 / 1 / 2 / 3 / 4 / 5
	Transmit Power (Sendeleistung)	High (hoch) / Low (niedrig)
	Bandwidth (Bandbreite)	Wide 25kHz (weit) / Narrow 12,5 kHz (schmal)
	TOT (Time Out Timer)	OFF (Aus) / 30 / 60 / 90 / 120 / 150 / 180 / 210 / 240 s
VOX Level	Voice Operated Transmission (Freisprechen)	OFF (Aus) / 1 / 2 / 3
Setting (Einstellungen)	Battery Save (Akkuschonung)	ON (Ein) / OFF (Aus)
	Dual Standby	ON (Ein) / OFF (Aus)
	SOS Mode	On Site (lokal) / Send Sound (Ton senden) / Send Code (Code senden)
	Scan Mode	Time (Zeit) / Carrier (Trägersignal) / Search (Suchlauf)
	Back Light Time	Bright / 5s / 10s / 15s / 20s / 30s / 1min / 2min / 3min



Menü	Funktion/Beschreibung	Mögliche Werte
Setting (Einstellungen)	Beep Prompt	ON (Ein) / OFF (Aus)
	VOX Delay	0.5s / 0.6s ... 1.9s / 2.0s
	Menu Exit Time	5s / 10s ... 45s / 50s / 60s
	Keypad Auto Lock	ON (Ein) / OFF (Aus)
CTCSS/ DCS	Receive CTCSS	Off (Aus) / 67.0Hz ... 250.3Hz
	Receive DCS	Off (Aus) / D023N ...D754I
	Transmit CTCSS	Off (Aus) / 67.0Hz ... 250.3Hz
	Transmit DCS	Off (Aus) / D023N ...D754I
	Encryption	ON (Ein) / OFF (Aus)
Frequency Mode	Step (Schrittweite, Kanalraster)	2.50 / 5.00 / 6.25 / 10.00 / 12.50 / 25.00 / 50 kHz
	Direction (Richtung der Ablage)	None (keine Ablage) Plus (positive Ablage) Minus (negative Ablage)
	Offset	00.000MHz ... 69.990MHz
Channel Storage	CH-Memory (Kanal speichern)	000, CH-001 ... CH-127
	CH-Delete (Kanal löschen)	CH-001 ... CH-127
	CH-Edit Name (Kanalname editieren)	Name kann durch die PC-Software geändert werden.



Menü	Funktion/Beschreibung	Mögliche Werte
Search Frequency	Suchen Sie die Sendefrequenz und den CTCSS/DCS-Code des anderen Funkgeräts, wenn es gerade sendet.	
Bluetooth	Programmieren Sie das Gerät mit der speziellen App.	ON (Ein) / OFF (Aus)
About Radio	Hardware Version, Software Version	
Reset	Reset All	Alle Einstellungen löschen

Anhang B. - Technische Spezifikationen

Allgemein

Frequency Range	UHF & VHF
	UHF 400-470MHZ
	VHF 136-174MHZ
Channel Capacity	128 Channels
Channel Step	25kHz(Wide Band), 12.5kHz(Narrow Band)
Frequency Stability	± 2.5 ppm
Operating Voltage	7.4V DC \pm 20%
Consumption	≤ 75 mA (standby)
	380mA (reception)
	≤ 1.4 A(transmission)
Operating Temperature	-20°C ~ +60°C

**Allgemein**

Antenna Impedance	50Ω
Mode of operation	Simplex or semi-duplex
Dimension	135mm x 60mm x 40mm (with battery pack)
Weight	270g (with battery pack, antenna)

Sender

	Wide Band	Narrow Band
Output Power	1w / 5W	1w / 5W
Modulation Mode	16KΦF3E	8KΦF3E
Adjacent Channel Power	≥65dB	≥60dB
Signal Noise Ratio	≤-40dB	≤-40dB
Parasitic Harmonic	≤65dB	≤60dB
Spurious Emission	≤-36dBm	≤-36dBm
Audio Response	300Hz-3KHz	300Hz-3KHz
Audio Distortion	≤5%	≤5%

Empfänger

	Wide Band	Narrow Band
Sensitivity	-120dBm(20db SINAD)	-120dBm(20db SINAD)
Intermodulation	≥60dB	≥55dB
Adjacent Channel Selectivity	≥60dB	≥55dB
Spurious Rejection	≥60dB	≥55dB
Audio Response	300Hz-3KHz	300Hz-3KHz
Signal to Noise Ratio	≥45dB	≥40dB
Audio Distortion	≥5%	≥5%
Audio Output Power	1W	1W