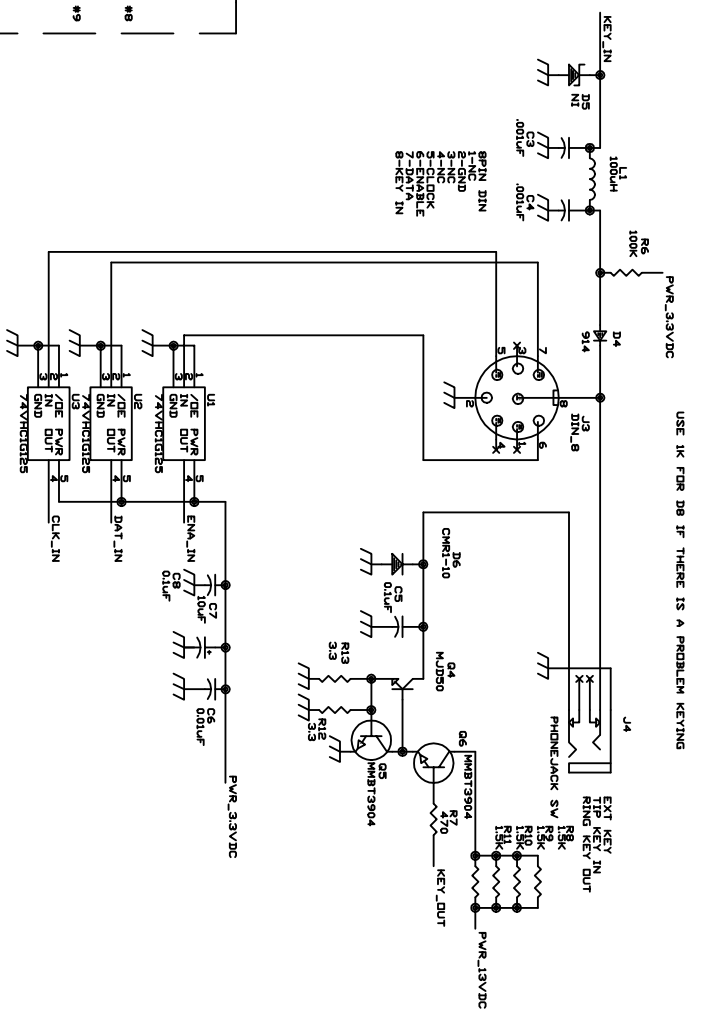
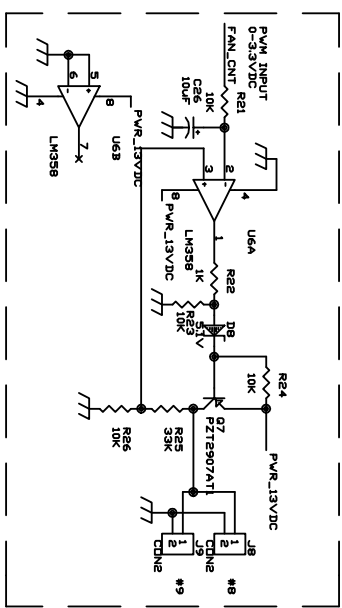
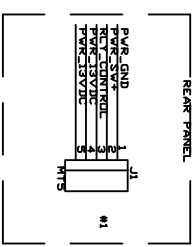
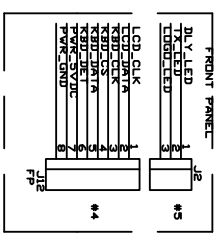
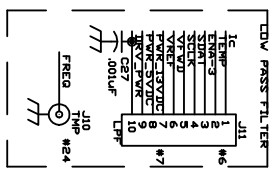
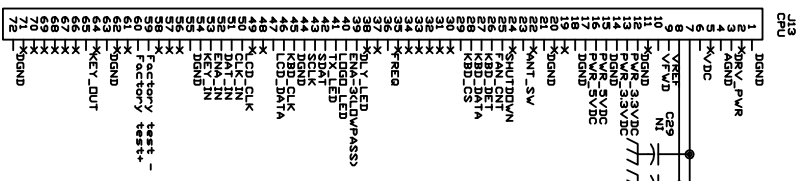
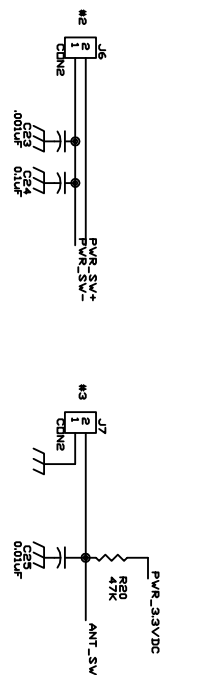
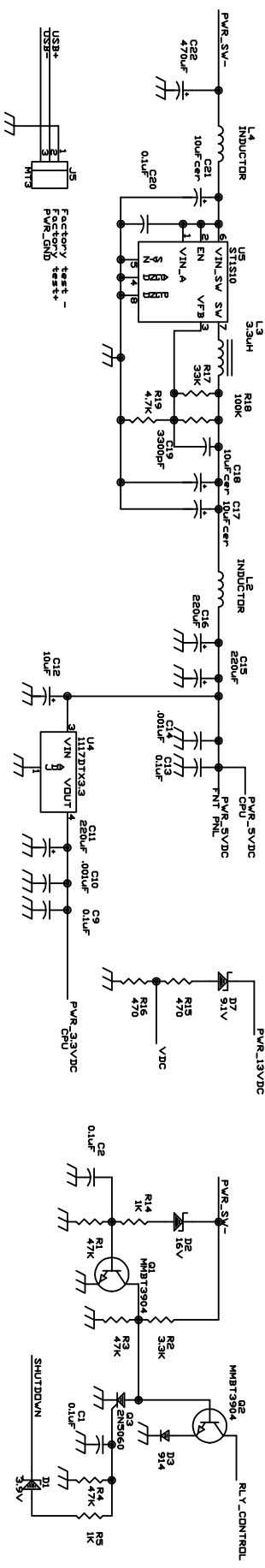


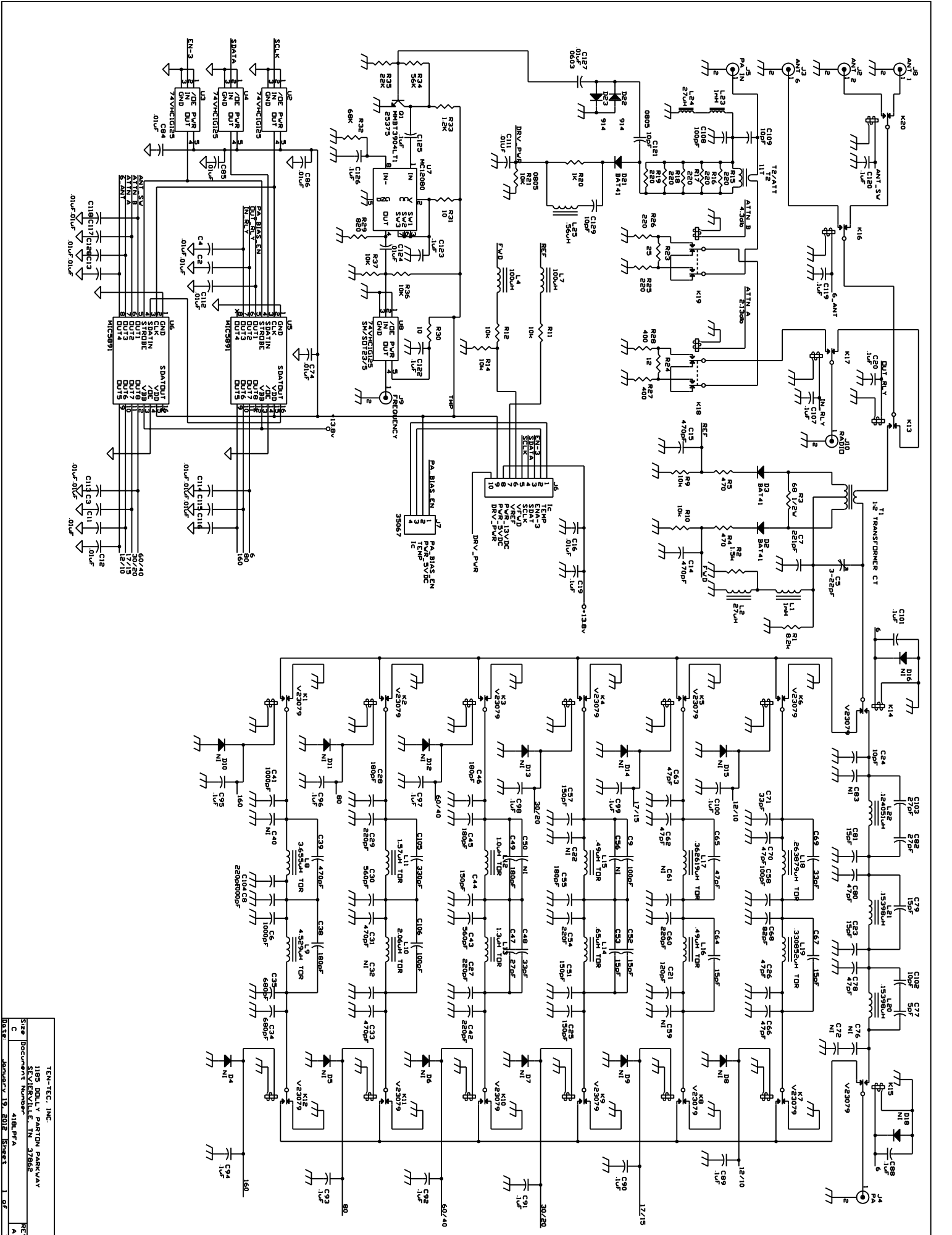
Title		REAR PANEL PCB	
Size	Document Number	78397	
A			
Date:	January 30, 2012	Sheet	1 of 1
REV		A	
		1	



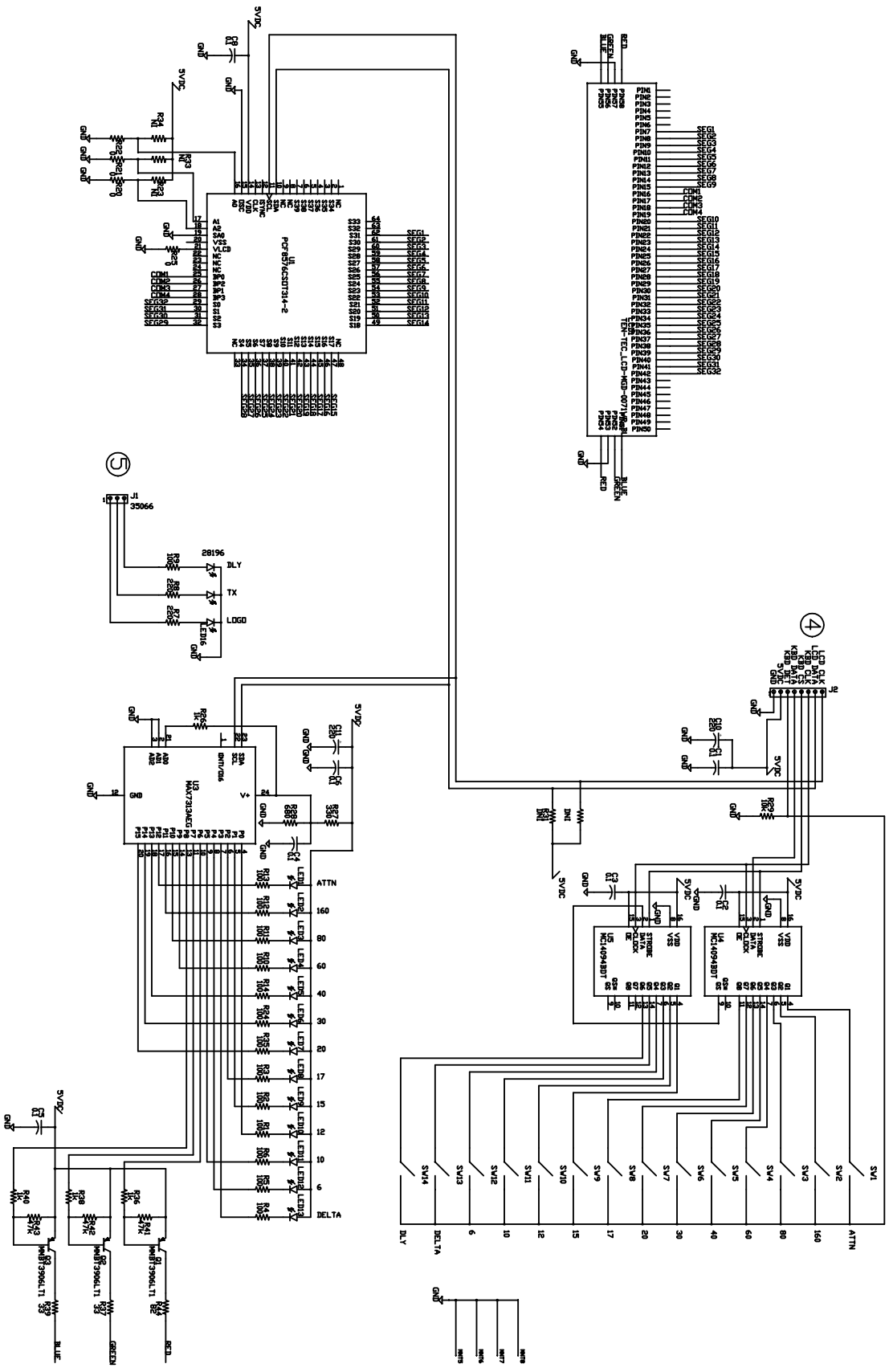
USE 1K FOR D8 IF THERE IS A PROBLEM KEYING



Title	TEW-TEC
Size	418 1/0
Document Number	
REV	A
Date	March 29, 2012 Sheet 1 of 1

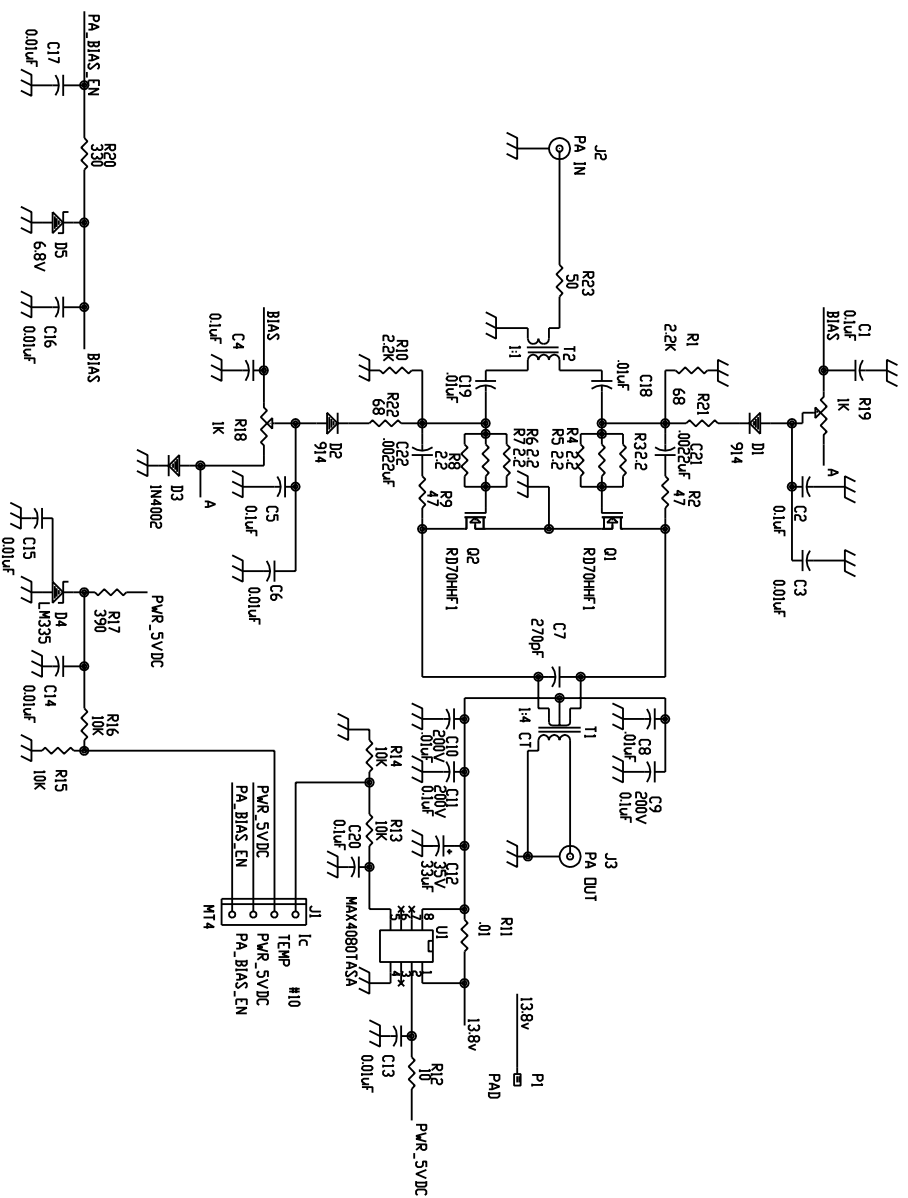


TEN-TEC, INC.  
 1183 DOLLY PARTON PARKWAY  
 COVINGTON, IN 47826  
 418/PFA  
 REV A  
 Doc: 418/PFA  
 19-8012  
 Sheet 1 of 1



Resistance in Ohms unless otherwise noted  
 Capacitance in uF unless otherwise noted

TITLE	448_DISPLAY
Document Number	82099
Date	1/18/2012 14:08:14 PM
Sheet	1/1
REV	A



TEN-TEC	
TITLE	418 POWER AMP
Size	Document Number 82100
REV	A
DATE	NOV 22, 2012 ISM:ex
of	A