

hy-gain®

AGK-8

Antenna Guy Kit

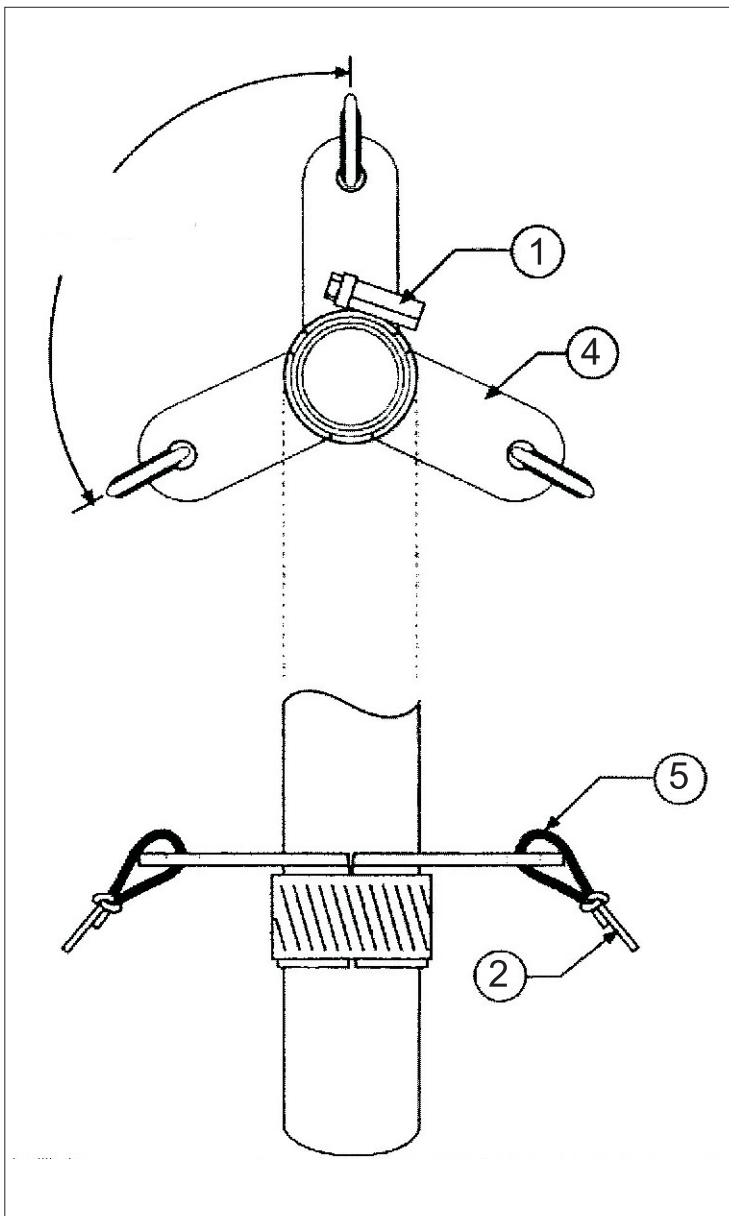
50ft typical



AGK-8

Install right angle bracket to the antenna at the desired location. Fasten the brackets with the worm clamp (1). Cut the guy cord (2) to the appropriate length for specific installations. (Use 50 ft lengths for flat mounting area). Attach the cords to the brackets and stake (3) as shown in details A and B.

Detail "A"



Parts List

Item	P/N	Description	QTY
1	030411	9/16 SS Worm Clamp	1
2	090287	Black Danscord #D30	150ft
3	195179	Galvanized Stake	3
4	193631	Aluminum Bracket	3
5	024259	Zinc Plated Thimble	3

Detail "B"

