

VC-300M

Antenna Tuner



Owner's Manual

CAUTION: Read All Instructions Before Operating Equipment !

VECTRONICS[®]
... the finest amateur radio products made

300 Industrial Park Road
Starkville, MS 39759
(662) 323-5800

Vectronics VC-300M Antenna Tuner

FEATURES

The Vectronics VC-300M Antenna Tuner optimizes the performance of your antenna and transmitter, receiver, or transceiver by providing adjustable impedance matching. The VC-300M also measures the Power and Standing Wave Ratio (SWR), allowing you to adjust for the lowest possible ratio for the selected transmit frequency. The VC-300M utilizes a precision frequency compensated lighted dual movement SWR/Power meter which can show either peak or average readings.

SPECIFICATIONS

FRONT PANEL INDICATORS

Meter Dual movement lighted cross needle Power and SWR meter.

FRONT PANEL CONTROLS

- TRANSMITTER Tuning Continuous rotation capacitor
- ANTENNA Tuning Continuous rotation capacitor
- INDUCTANCE 12 Position Switched Rotary Inductor
- RANGE 2 position switch: 30W/300W
- METER 2 position switch: PEAK/AVG
- LAMP 2 position switch: ON/OFF

REAR PANEL CONNECTORS

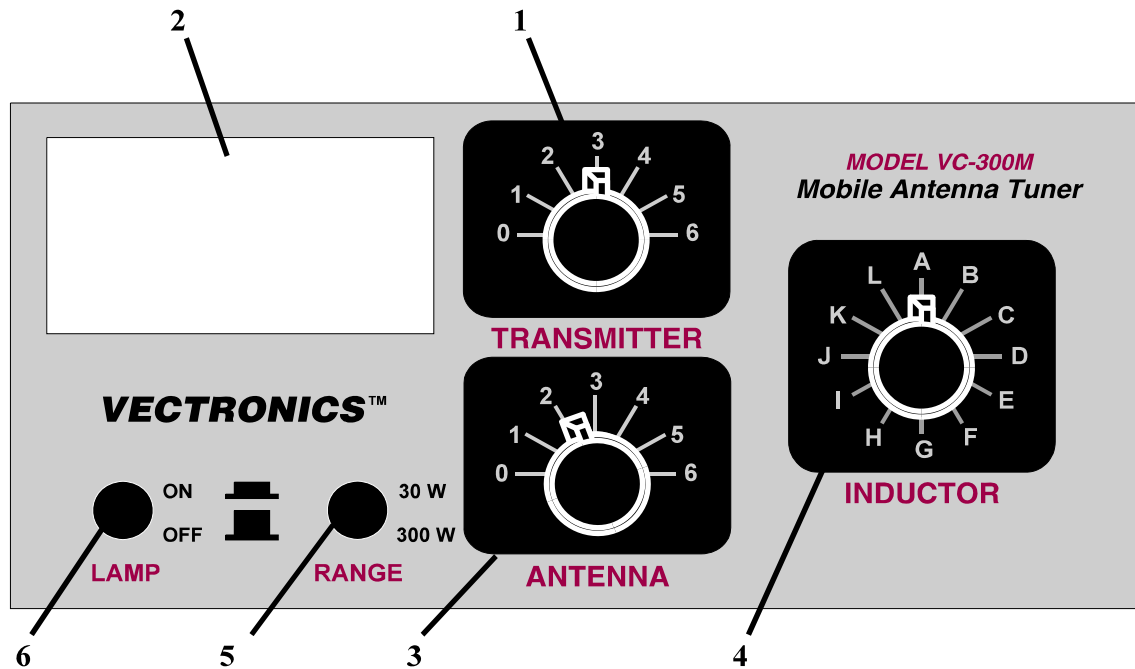
- INPUT SO-239 Connector
- OUTPUT SO-239 Connector
- 12 V AC/DC 2.5 mm Barrel Connector
- GROUND Post/Wingnut

OTHER

- Frequency Coverage 1.8-30 MHz
- Power 150 Watts Continuous; 300 Watts pep, SSB
- Dimensions 3.6" (92 mm) H x 7.25" (184 mm) W x 8.75" (222 mm) D.
- Weight 2.5 lbs. (1.15 kg)

CONTROLS / CONNECTORS

FRONT PANEL FUNCTIONS



1. TRANSMITTER

Continuously adjustable input capacitor

2. POWER / SWR METER

Dual needle meter displays FOWARD and REFLECTED Power in Watts.
The SWR is measured where the two needles intersect on the red scale.

3. ANTENNA

Continuously adjustable output capacitor.

4. INDUCTOR

12-position rotary switch to vary inductance.

5. RANGE

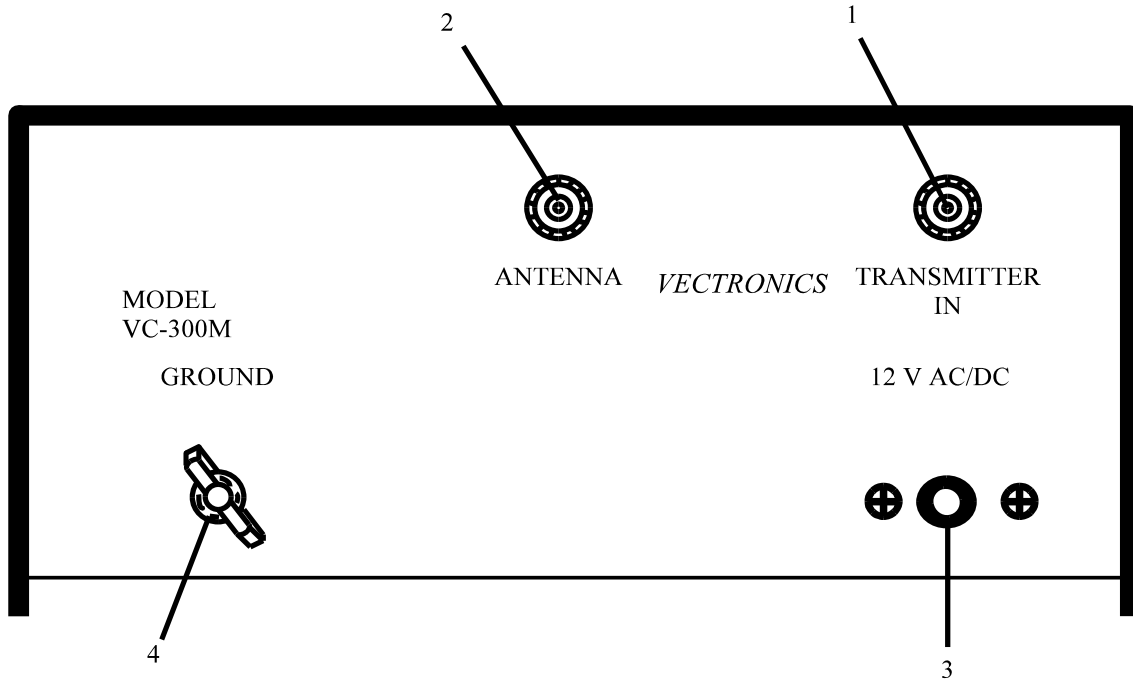
Two-position push button switch selects the range of FOWARD and REFLECTED Power displayed on the power meter.

When the RANGE switch is OUT, the FOWARD meter scale reads 300 watts full scale and the REFLECTED meter scale reads 60 watts full scale. When the switch is IN, the FOWARD meter scale reads 30 watts full scale and the REFLECTED meter scale reads 6 watts full scale.

6. LAMP

Two-position push button switch turns the lamp ON or OFF.

REAR PANEL CONNECTORS



1. TRANSMITTER IN
Coaxial connector for input from SWL receiver or transmitter.
2. ANTENNA
Coaxial connector for output.
3. 12V AC/DC
Barrel connector for meter lamp power.
4. GROUND
Post/Wing-nut type ground connector.

INSTALLATION

Carefully unpack your VC-300M from the packing carton and inspect it for signs of damage. If any damage is apparent, notify the transportation carrier or dealer immediately. We recommend keeping the packing carton for moving, storage, or reshipping the tuner.

Select a location for the VC-300M that allows the connectors to be free of any possible contact during operation.

INSTALLATION PROCEDURES

1. Connect a coax cable from your transmitter or receiver to the transmitter to the TRANSMITTER connector on the rear panel. Keep the cable as short as possible. **Do not use more than 200 watts through the tuner.**
2. To avoid possible damage to the VC-300M, set the TRANSMITTER, ANTENNA, and RANGE switches as outlined in the next section before applying transmitter power.
3. Begin tuning with your transmitter set at a low output setting (**10 to 20W**).

WARNING: Do not operate the VC-300M with the cover off! Do not change the inductor switch with more than 20 watts of applied power!

TUNING

1. Select the band and frequency of desired operation.
2. Set TRANSMITTER, ANTENNA, and INDUCTOR controls to the suggested settings before applying transmitter power. Actual settings may vary from antenna to antenna.

BAND/ FREQUENCY	TRANSMITTER		ANTENNA		INDUCTANCE	
	Sug.	Actual	Sug.	Actual	Sug.	Actual
160 M / 1.8 MHz	2.8		3.8		J+	
75 M / 3.75 MHz	3.0		3.8		D	
40 M / 7.15 MHz	4.5		5.5		B+	
30 M / 10.125 MHz	2.8		3.2		B+	
20 M / 14.175 MHz	3.5		4.0		A+	
17 M / 10.118 MHz	2.0		2.7		A+	
15 M / 21.225 MHz	3.0		3.5		A+	
12 M / 24.940 MHz	5.5		6.0		A+	
10 M / 28.850 MHz	2.8		3.1		A	

3. Set up your transmitter to a low power output. If your transmitter has a tune position, select that position.
4. If you use a linear amplifier, set it to STANDBY. Do not use the linear amplifier until the VC-300M is tuned. **Do not exceed 300 watts!**

5. Set RANGE switch to 30W (button IN).
6. Rotate the TRANSMITTER, ANTENNA, and INDUCTOR controls for maximum noise or signal as heard on your receiver.
7. Key your transmitter and adjust the power level for a reading of 40-50 watts on the FORWARD scale. Adjust the TRANSMITTER, ANTENNA, and INDUCTOR controls for a minimum REFLECTED reading while maintaining a FORWARD reading of 40-50 watts using your transmitter power control.
8. Read the SWR on the red scale by switching the front panel push-button to OUT. Repeat step 7 until the lowest SWR reading is obtained. The SWR should be 2:1 or lower.

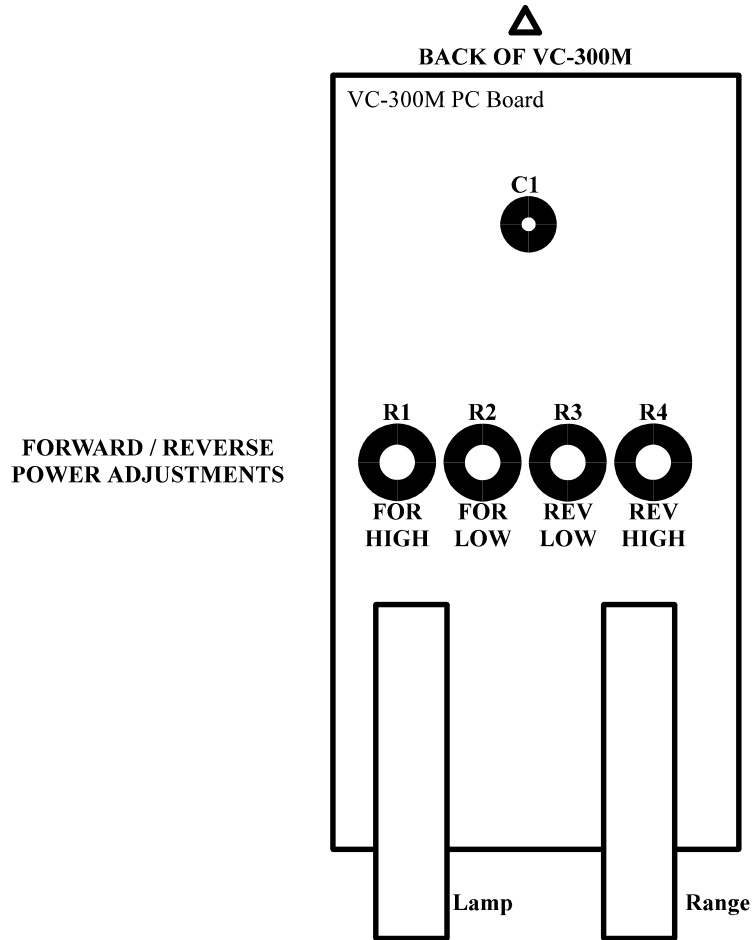
Note: This procedure takes patience the first time. The transmitter and antenna controls vary the capacitors and provide fine adjustments. The inductor control provides course adjustment.

9. When you have tuned your antenna to the best SWR, record the settings of the TRANSMITTER, ANTENNA, and INDUCTANCE controls on the chart on page 4. for future reference. When you retune, use these settings as your starting point.

NOTES

1. An SWR of 1:1 is best, but an SWR as high as 2:1 may be acceptable. Check your transmitter manual for details.
2. If you cannot get an acceptable SWR, lengthen or shorten you antenna and/or feedlines and retune.
3. If you get low SWR readings at more than one setting, use the setting that:
 - Gives the highest FORWARD power reading.
 - Gives the lowest REFLECTED power reading.
 - Uses the largest capacitance (highest number) on the TRANSMITTER and ANTENNA controls.
4. Any time a new or different antenna is connected, it is necessary to repeat the tuning procedure for each antenna.

METER CALIBRATION

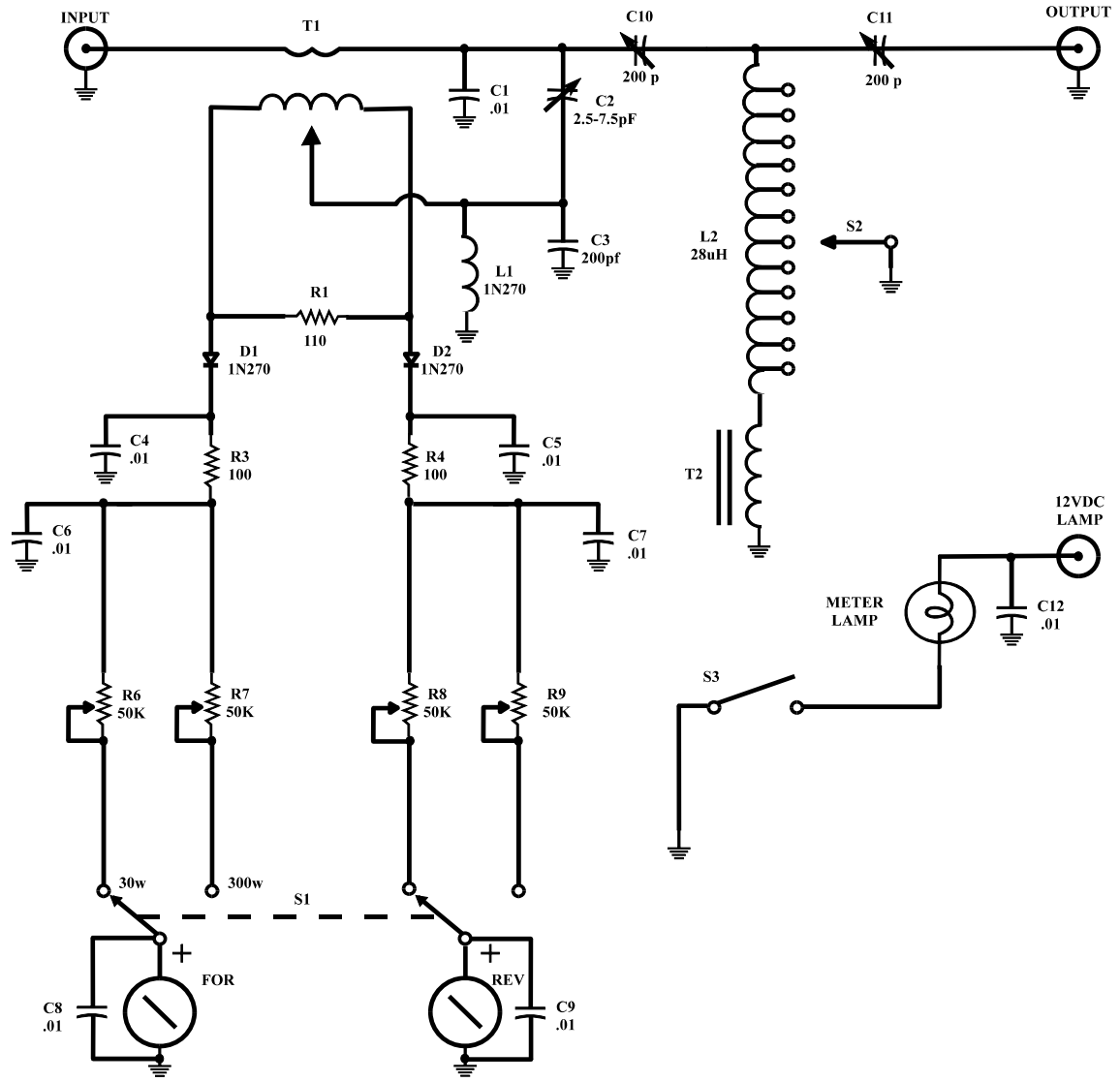


METER CALIBRATION PROCEDURE

1. Connect transceiver to TRANSMITTER IN connector.
2. Connect external 50W load to ANTENNA connector.
3. Set the RANGE button to 300W.
4. Apply 100W of RF at 14.0 MHz.
5. Adjust R1 (see Figure 1) so that 100W of FORWARD power is read on the meter.
6. Reduce the RF power to 10W and set the RANGE to 30W
7. Adjust R2 so that 10W of FORWARD power is read on the meter.
8. Reverse the transceiver and load connectors on the rear panel
9. Set the RANGE to 300W.
10. Apply 10W of RF power and adjust R4 to read 10W of REFLECTED power.
11. Set the RANGE to 30W.
12. Apply 2W of RF power and adjust R3 to read 2W of REFLECTED power.

SCHEMATIC DIAGRAM

MODEL VC-300M



TECHNICAL ASSISTANCE

If you have any problem with this unit first check the appropriate section of this manual. If the manual does not reference your problem or your problem is not solved by reading the manual you may call VECTRONICS at 601-323-5800. You will be best helped if you have your unit, manual and all information on your station handy so you can answer any questions the technicians may ask.

You can also send questions by mail to VECTRONICS, 1007 HWY 25 South, Starkville, MS 39759 or by Fax to 601-323-6551. Send a complete description of your problem, an explanation of exactly how you are using your unit, and a complete description of your station.

LIMITED 12 MONTH WARRANTY

VECTRONICS warrants to the original owner of this product, if manufactured by VECTRONICS and purchased from an authorized dealer or directly from VECTRONICS to be free from defects in material and workmanship for a period of 12 months from date of purchase provided the following terms of this warranty are satisfied:

1. The purchaser must retain the dated proof-of-purchase (bill of sale, canceled check, credit card or money order receipt, etc.) describing the product to establish the validity of the warranty claim and submit the original or machine reproduction of such proof of purchase to VECTRONICS at the time of warranty service. VECTRONICS shall have the discretion to deny warranty without dated proof-of-purchase. Any evidence of alteration, erasure, or forgery shall be cause to void any and all warranty terms immediately.
2. VECTRONICS agrees to repair or replace at VECTRONICS's option without charge to the original owner any defective product under warrantee provided the product is returned postage prepaid to VECTRONICS with a personal check, cashiers check, or money order for \$8.00 covering postage and handling.
3. This warranty is NOT void for owners who attempt to repair defective units. Technical consultation is available by calling the Service Department at 662-323-5800.
4. This warranty does not apply to kits sold by or manufactured by VECTRONICS.
5. Wired and tested PC board products are covered by this warranty provided only the wired and tested PC board product is returned. Wired and tested PC boards installed in the owner's cabinet or connected to switches, jacks, or cables, etc. sent to VECTRONICS will be returned at the owner's expense unrepaired.
6. Under no circumstances is VECTRONICS liable for consequential damages to person or property by the use of any VECTRONICS products.
7. Out-of-Warranty Service: VECTRONICS will repair any out-of-warranty product provided the unit is shipped prepaid. All repaired units will be shipped COD to the owner. Repair charges will be added to the COD fee unless other arrangements are made.
8. This warranty is given in lieu of any other warranty expressed or implied.
9. VECTRONICS reserves the right to make changes or improvements in design or manufacture without incurring any obligation to install such changes upon any of the products previously manufactured.
10. All VECTRONICS products to be serviced in-warranty or out-of-warranty should be addressed to:
VECTRONICS
300 Industrial Park Road
Starkville, Mississippi 39759 USA
and must be accompanied by a letter describing the problem in detail along with a copy of your dated proof-of-purchase.
11. This warranty gives you specific rights, and you may also have other rights which vary from state to state.