

单页尺寸：15x9.5cm

### Announcement

People's Republic of China Radio Regulations requests:  
The unit or individual who uses and the radio device must go to the related radio authority to apply for the formalities, after getting radio license can be allowed to use the radio.

### Acknowledgement!

Thanks for buying the *Qwouxun* transceiver. We believe this transceiver will provide convenient and reliable communication and bring the highest efficiency to user.

This transceiver applies the advanced technology, we are sure users will satisfied with the high quality and function.

Please reading this manual carefully for users' understanding to the transceiver function before using this transceiver!

## Precautions

Please observe the following precautions to prevent fire, personal injury and damage to the transceiver:

- Suggestion the usage rate of this transceiver is transmission 1 minutes, receiving 4 minutes. Transmitting continuously for a long time will make the back of transceiver hot. Do not place this transceiver contact the face of plastic objects.
- Do not modify or adjust the transceiver in any situation.
- Do not put the transceiver near to the heating appliance or expose it in the sun for a long time.
- Do not put the transceiver in extremely dusty, moist, watery or unstable place.
- Close the power supply immediately if the transceiver emits an unusual smell or smokes, then take out the battery or batterypack and notify the local dealer.

### Warning

- Please turn off the transceiver in explosive environment(e.g. Coal gas, Dust, Steam etc.)
- Please turn off the transceiver while refueling or parking at the gas station.

Safety: User must realize the general risk of the transceiver.

## Contents



Professional FM Transceiver

<b>Precautions</b> .....	<b>01</b>	Select Group .....	13
Accessory .....	01	Select Member .....	13
<b>Preparation</b> .....	<b>02-04</b>	Select Friend .....	13
Li-ion Batterypack Usage.....	03	Dispatcher Message .....	13
Li-ion Batterypack Features .....	03	Shortcut Set .....	14
Li-ion Batterypack Charging .....	04	Function Setting .....	15
<b>Accessory Installation</b> .....	<b>05-08</b>	5. Phone Function .....	16
Install/Take off Li-ion Batterypack .....	05	6. Signal Status .....	17
Install/Take off Antenna .....	06	7. Key Lock .....	17
Install/Take off Beltclip .....	07	<b>Getting Started</b> .....	<b>18-20</b>
Install/Take off SIM card .....	08	1. Install Battery/SIM Card .....	18
<b>Device Information</b> .....	<b>09-11</b>	2. Basic Usage .....	18
<b>Device Introduction</b> .....	<b>12-17</b>	3. Selective Calls Function .....	19
1. Volume Knob Switch .....	12	4. Group Calls Function .....	20
2. PTT Key .....	12	<b>Simple Trouble shooting</b> .....	<b>21-22</b>
3. Side Key .....	12	<b>Brief Technical Specification</b> .....	<b>23</b>
4. Menu .....	12	<b>Warranty Card</b>	

## Precautions

**Note:** The following instruction only aim to dealer、authorized service organization or factory. Please take out the transceiver carefully, you' d better confirm if there are following accessories before you discard the packing material. If any item is lost or has been damaged during shipment, please notify your dealer immediately.

### Accessory

Objects	Number
Two-way Radio	1
Li-ion Battery(2500mAH 7.4V)	1
Power Adaptor	1
Intelligent Charger	1
Antenna	1
Handstrap	1
Beltclip	1
User Manual	1

## Preparation

### Warning:

- Do not charge the Battery pack for a long time.
- Please don't use the battery pack if it is not full charged.  
Battery pack maybe gets overheat、smoke、explosion or burning suddenly.
- Do not place the Battery pack into microwave oven and high pressure container.
- Do not place the cracked and leaked battery pack neat to fire.  
If the battery pack leaks (or emits a pungent smell), please put it away from the flammable area immediately. The electrolyte from the leaked battery pack could outbreak of fire easily, which maybe cause the battery pack smoke or on fire suddenly.
- Do not use the abnormal battery pack.  
If battery pack emits a pungent smell, the color looks different, out of shape or abnormal, please don' t use it and take off the battery pack from charger or device.
- Please use the compatible charger.  
There are different chargers for different WOUXUN radios, please use the compatible charger for specified radio.

## Preparation

### Li-ion Batterypack Usage

Please charge the battery before using it.

Please take off the batterypack from device when don' t use it, for reducing the discharge rate.

Keep batterypack in cool and dry place.

When store the battery for a long time:

1. Take off the batterypack from device.
2. If possible, please store batterypack after charging it full.
3. Please store the batterypack in cool (temperature is lower than 25°C) and dry place.

### Li-ion Batterypack Features

- The batterypack capacity reduced gradually after repeated charging and discharging.
- Batterypack will age even if it never be used.
- Charge the batterypack in cooler place will take a long time.
- Charge the batterypack in hotter place will shorten the service life. Storing the batterypack in hotter place will age it quickly, so don' t leave the batterypack in car or near to the heating appliance.

## Preparation

- Please replace of the new battery pack if the older one is shorter life even in the full charge.

### Li-ion Batterypack Charging

After the charger is powered on, put into the batterypack and make it contact well, the red indicator light will be on, then begin to charge. The charger will become green indicator light after the batterypack is charged full.

## Accessory Installation

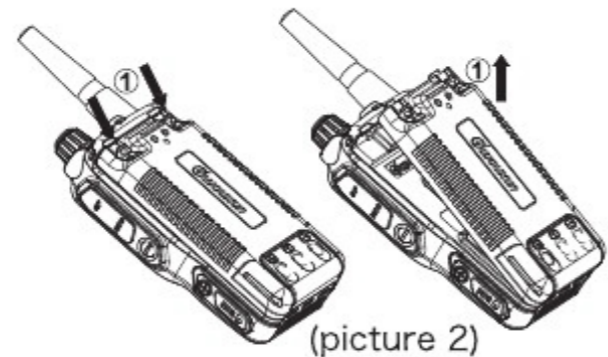
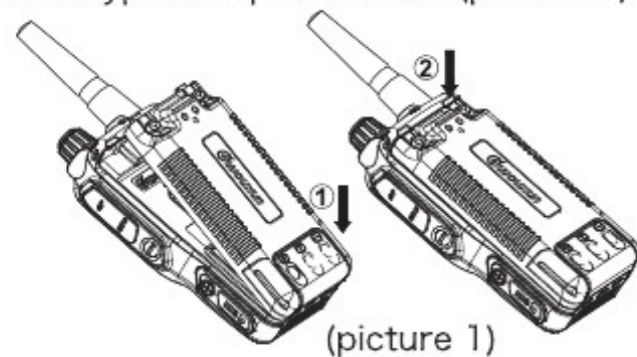
### Install/Take off Li-ion Batterypack

The batterypack may be out of voltage during the long transportation, please re-charge the batterypack before using it.

#### Note

- › Do not short-circuit batterypack terminals or discard the batterypack into the fire.
- › Do not unload the case of batterypack.

1. Aim the batterypack at the bottom of the transceiver, then push down the batterypack until the top two release latch of the transceiver are locked. (picture 1)
2. When taking off the batterypack, push down the top two release latch of the transceiver until the batterypack is pushed out. (picture 2)



## Accessory Installation

### Install/Take off Antenna

Hold the bottom of the antenna, and rotate the antenna clockwise into transceiver connector until it's tight. (picture 3)

Rotate the antenna counter-clockwise into transceiver connector then take the antenna off from the radio. (picture 4)



(picture 3)

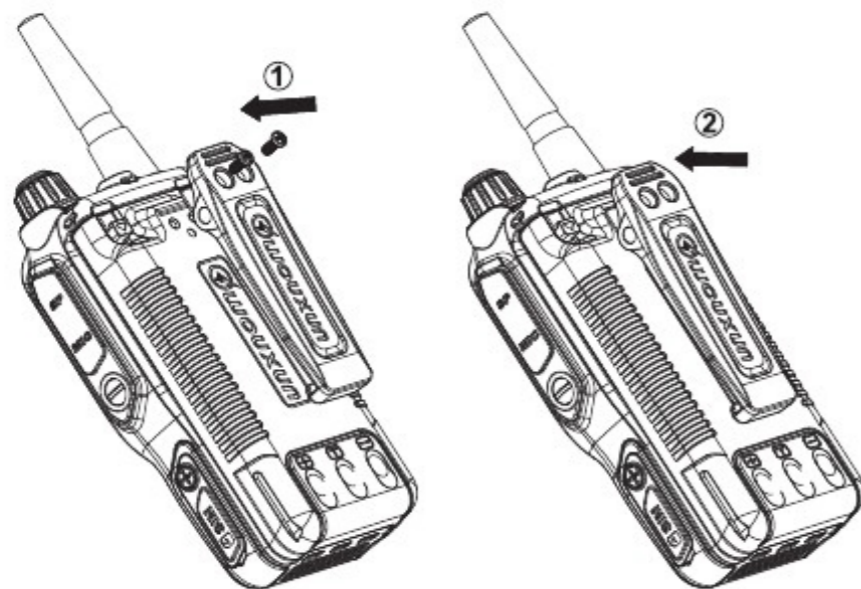


(picture 4)

## Accessory Installation

### Install/Take off Beltclip

If necessary, you can lock the attached beltclip in screw holes of battery back for easy to carry. Unscrew the two screws on the beltclip to take it off easily. (picture 5)



(picture 5)

## Accessory Installation

### Install/Take off SIM card

#### Note

Please close the transceiver before installing or take off SIM card, and pay attention to the direction of SIM card.

1. Please insert the USIM card into slot according to following picture until a tone with click. (picture 6)
2. Lightly press on the USIM card until a tone with click and loose it, SIM card will pop up automatically.

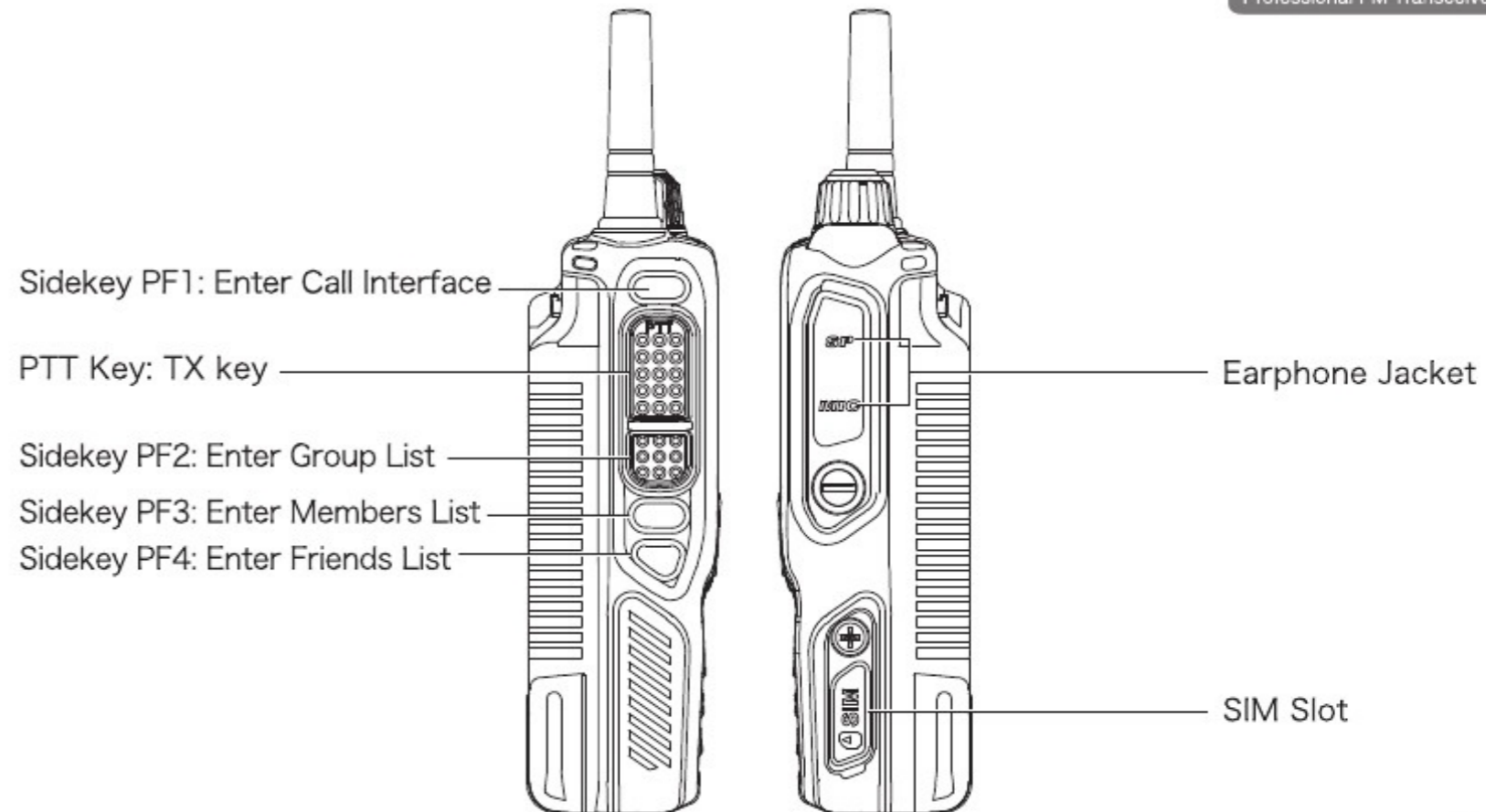


(picture 6)

## Device Information



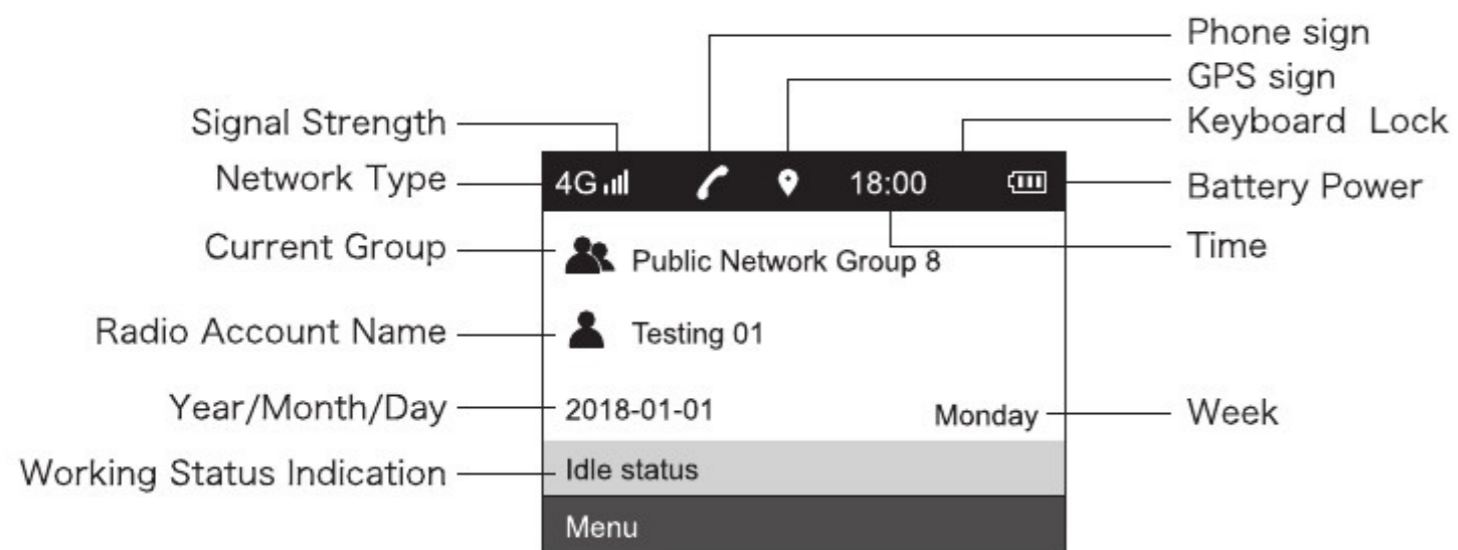
## Device Information



## Device Information

### LCD Screen

User could see the indicators that stand for the selective contents from the LCD screen.



## Device Introduction

### 1. Volume Knob Switch

Rotate power switch clockwise to turn on the radio, rotate power switch counter-clockwise until a tone with click, the radio turns off. In stand by status, rotate volume switch clockwise of the radio to turn up volume, rotate volume switch counter-clockwise of the radio to turn down volume.

### 2. PTT Key

In standby mode, press on PTT key to start transmitting, then TX LED(RED) will be on.

### 3. Side Key

Sidekey PF1: When phone function is on, enter/exit call interface.

Sidekey PF2: Enter groups list

Sidekey PF3: Enter members list

Sidekey PF4: Enter friends list

### 4. Menu

In standby mode, press on function key to enter menu.



## Device Introduction

### Select Group

Press up/down key to select the menu of “Select Group” and press function key to enter it. This menu will display the group information that the radio account has joined. Press up/down key to select a group and press function key to join it.

### Select Member

Press up/down key to select the menu of “Select Member” and press function key to enter it. This menu will display the members information that the current group has joined. Press up/down key to select a member and press function key to call this member.

### Select Friend

Press up/down key to select the menu of “Select Friend” and press function key to enter it. This menu will display the friends information that the radio account has added. Press up/down key to select a friend and press function key to call this friend.

Note: After calling the friend or member, user could press “EXIT” key to exit the call status.

Group members can only call the online member or friend, the avatar of online friends or members will be lit, and friends or members who are not online will be gray avatar.

### Dispatcher Message

This transceiver could receive the information what come from dispatcher station. When

## Device Introduction

dispatcher station sends information, this transceiver will broadcast and display it on the screen, user could press “EXIT” key to exit. Delete dispatcher station information: press function key to enter “dispatcher station information” menu, and choose a information through up/down key, press function key to enter, next press function key again, the screen will display: delete (delete this information); delete all (clear dispatcher station information).

Note : dispatcher station could send information at most 32 characters, and this transceiver could store information at most 32 pieces, it will delete the storage circularly after storing 32 messages.

### Shortcut Set

User could view the all shortcut operation through this menu. Shortcut operation have two types: one is shortcut for groups, through this you can enter a group quickly, another is shortcut for calling a member, through which you can call someone quickly. Press function key to view, then LCD screen will display: number+group name (member name), in standby status, you can press number key 0-9, input the number, then press the function key, you can enter the group that the number stand for, or call the member who the number stand for. When pressing the function key again, enter the delete selection, to delete a shortcut setting or all shortcut settings, press function key to confirm deletion.

## Device Introduction

### 1) Shortcut for group

In the interface of group selection (enter by menu or press SidekeyPF2), the LCD screen will display all groups, press up/down key to select the group that you want to set, then press \* key, input number 0~9, finally press function key to store, the shortcut is set successfully. In standby status, input shortcut number directly, you can enter this group quickly.

Note: Only 1000 shortcuts can be allowed, input range 0---999.

### Function setting

User can set some parameters or modes through this menu.

#### 1) Network mode: 2G/3G/4G/AUTO/2G 3G mixed mode

Note: when choosing 3G/4G mode, phone function will be banned.

User can phone in 2G mode only, suggest the network mode is automatic.

#### 2) GPS information: If GPS locates successfully (the top GPS open sign of screen will become red), entering the "GPS information" menu will display the latitude and longitude information.

#### 3) updata modules: upgrade the version of software.

#### 4) Backlight set: set the lit time of backlight, with three chooses: 10 seconds, 20 seconds, always lit.

#### 5) PTT Tone: user can turn on/off the voice prompting when pressing PTT to transmit or

## Device Introduction

releasing PTT to end transmitting. Which can help user confirming the sending status.

#### 6) Key Tone: user can turn on/off the key prompt function.

#### 7) Announce time: user can turn on/off the timekeeper function

#### 8) Device information: user can view the software version information of this radio.

## 5. Phone Function

Press the sidekey PF1, switch to phone mode.

#### 1) Dial: press number key and input the phone number, then press phone key to make a call, press EXIT key to hang up.

#### 2) Answer: press function key to answer the call, press EXIT key to hang up.

#### 3) Call records: the transceiver can save the call records. Press function key to display call records, choose a call record through up/down key to call or delete, even delete all call records. This transceiver can store 64 call records only, when reach it, the call records will be deleted circularly.

Note: this transceiver can be written into phone contact list through programming software, that can store 32 contacts only.

### 6. Signal Status

In standby status, long press \* key, the transceiver will broadcast current signal strength, press \* key again to exit.

### 7. Key Lock

Long press # key to turn on/off button lock. When button lock is turned off, all of keys can't be used, only PTT key can transmit.

### 1. Install Battery and SIM card

Please insert valid USIM card (User SIM card), anything about network connection information are recorded in USIM card.

- 1) Rotate volume switch to shut down the transceiver.
- 2) Take the battery button and pushing the battery out.
- 3) Open the cover of USIM card and put USIM card in which, pay attention to the notch direction of USIM card.
- 4) Put the battery into the transceiver.

#### Prompt:

Please rotate the power on switch knob to shut down the transceiver before taking off the battery. Do not take off the battery directly when the transceiver is turning on, which maybe lose the related data and damage the transceiver.

### 2. Basic Use

#### Boot:

In shutdown status, rotate the volume switch knob clockwise, green light keeps brightening, the transceiver will broadcast that it's searching network after a beep tone, then the red light will

## Getting Started

fast flash to search network. The transceiver will broadcast the group name of logging on after having searched the network. The green light will flash every two seconds after logging on.

### Shutdown:

In boot status, rotate the volume switch knob counter-clockwise. Green light keeps brightening, after a tone with click, the LCD screen will display “ power off” , then green light turns off and transceiver is shut down.

### Volume adjustment:

Rotate volume knob clockwise to turn up volume, rotate volume knob counter-clockwise to turn down volume.

### Low battery prompt:

When battery voltage is lower than 6V, the transceiver will give a low battery prompt then shutdown automatically.

## 3. Selective Calls Function

In standby status, press function key to enter menu, then press up/down key to choose “select member” or “select friend” , enter through function key, next press up/down key to choose a online member and press function key to confirm selective call, finally press PTT key to call.

## Getting Started

Note: User can enter member selection list through shortcut sidekey PF3, enter friend selection list through shortcut sidekey PF4.

## 4. Group Calls Function

In standby status, press function key to enter menu, then press up/down key to choose “select group” , enter through function key, next press up/down key to choose a group and press function key to confirm entering this group, finally press PTT key to make group calls.

Note: User can enter group selection list through shortcut sidekey PF4.

## Simple Trouble Shooting

If the transceiver occurs the following phenomenons during use, please check the following information to resolve, otherwise, contact with dealer.

### 1. Poor Signal Reception, possible reasons:

- 1) user maybe stays in a poor network place (such as basement or near to building), where radio waves cannot be effectively transmitted.
- 2) busy network (such as high network traffic during peak hours, which makes the communication cannot achieve.)

Solutions: ① please go to a good network place.

② do not use transceiver in peak hours or try it again later.

### 2. Echo or Noise, possible reason: Some network operators have bad network trunk lines.

Solution: shut down and restart the transceiver, it will search base station automatically and switch to a good network .

### 3. Shorter Standby Time, possible reasons:

- 1) Standby time is related to the system setting of network operators. The same transceivers in different system of different network operators have different standby time.
- 2) Battery exhausted, the battery life will be shortened when use it in high temperature.
- 3) The transceiver will transmit the signal constantly to search the base station when cannot

## Simple Trouble Shooting

search to the network, which makes a continuous battery power consumption, and shorten the standby time. Solution: please shut down the transceiver temporarily when user stay in a poor signal place.

### 4. Unable to connect to network, possible reasons:

- 1) USIM card is invalid.
- 2) poor signal.
- 3) user is not in network service area.

Solutions: ① change the valid USIM card.

② please go to an empty place and try again.

③ please near to the window and try again if user is inside building.

## Brief Technical Specification

Working Voltage	7.4V
Frequency Band	COMA(EVDO/CDMA 1X): BC0 LTE FDD: B1 B3 B5
Dimension	135.5x59.0x34.0(mm)
Weight	253g
Operating Temperature	-10 ~ +55°C
Storage Temperature	-40 ~ +85°C
Transmitting Power	23dBm ~ 30dBm@ -140dBm
Reception Sensitivity	-106dBm
Audio Output Power	1w@10%distortion

## Products Warranty Card

### WARRANTY CARD

Thanks for buying this product, all of our transceivers have passed the strict quality control and reliable safety test before leaving the factory. To ensure the customer benefits and our company reputation, we warrant all transceivers against defects in material and workmanship, for a period of 12 months for radio body and 3 months for accessories (battery and charger) from the date of original purchase.

Customer Name: \_\_\_\_\_

Tel: \_\_\_\_\_

Address and Zip code: \_\_\_\_\_

Model: \_\_\_\_\_

Serial No: \_\_\_\_\_

Purchasing Date: \_\_\_\_\_

Invoice No: \_\_\_\_\_

Dealer's Company(stamped valid): \_\_\_\_\_

## Products Warranty Card

### WARRANTY CARD

The following situations will be paid repair service within warranty:

- ◆ The original warranty card and purchasing invoice is not present or completed properly.
- ◆ The damages are caused by the abnormal use.
- ◆ The damages are caused by improper use, soaking, breaking.
- ◆ The damages are caused by improper testing, operation, installation, modification, adjustment and so on.
- ◆ The damages are caused by unauthorized repair, disassembly.
- ◆ The damages are caused by abrasion in normal use or unavoidable conditions.

### Maintenance Record:

Date	Complete Date	Fault	Parts	Technician