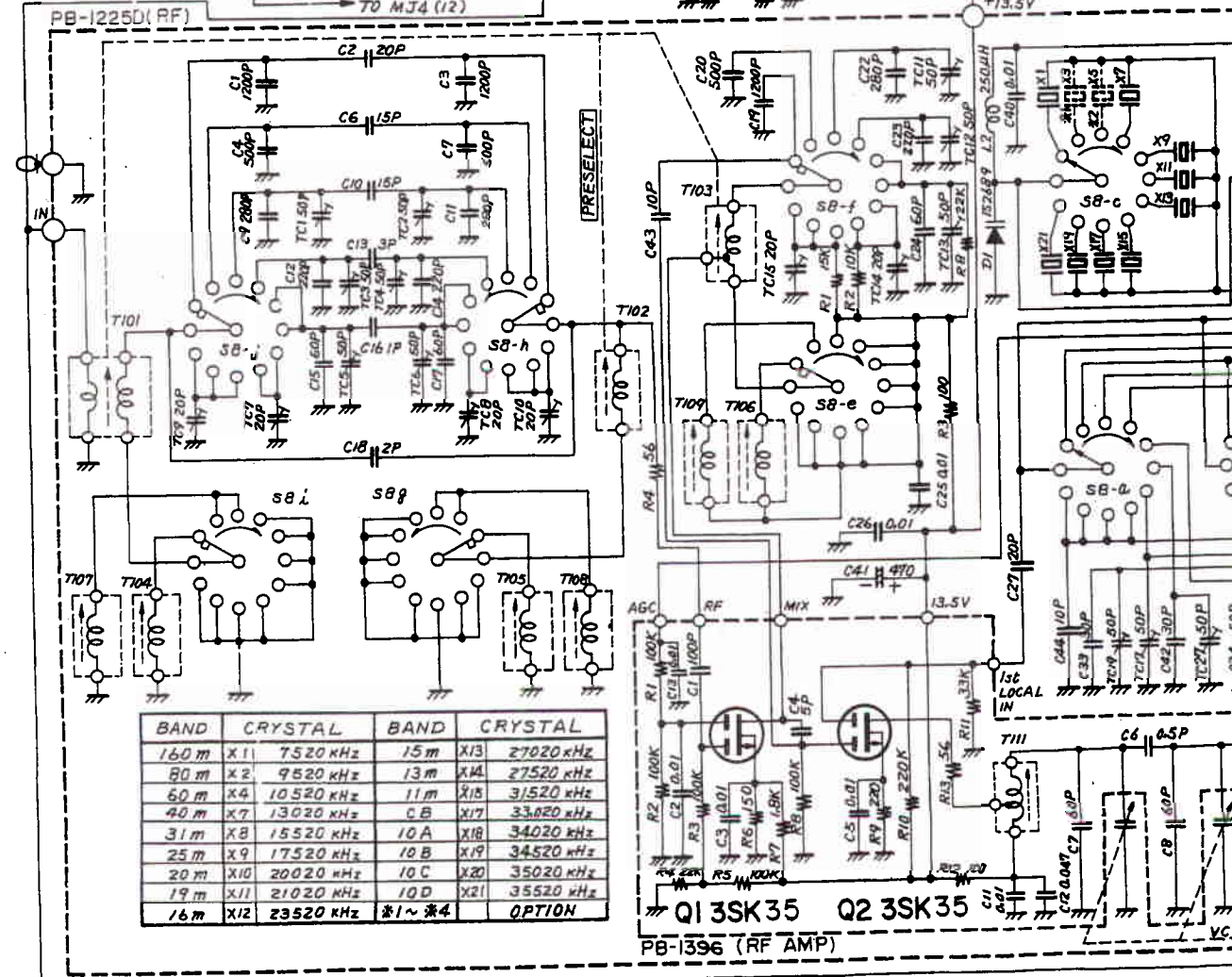
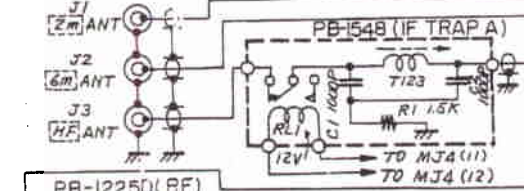
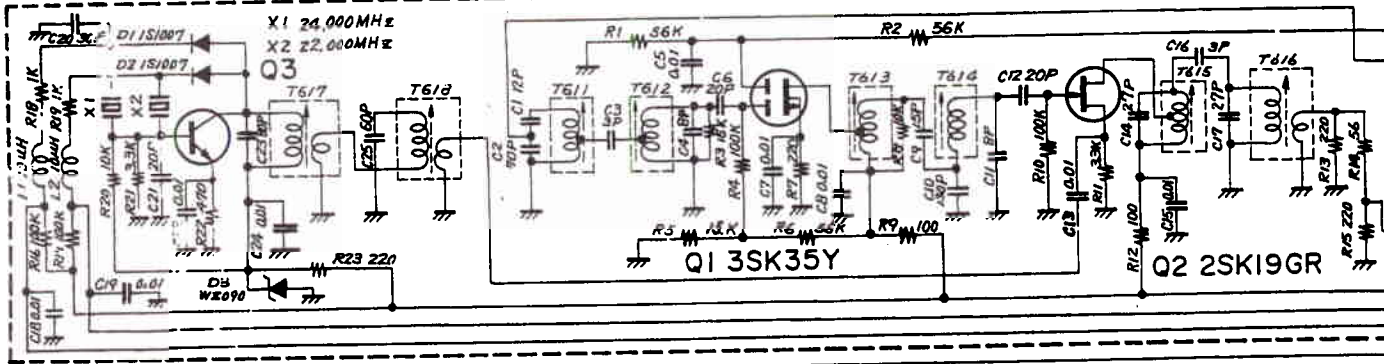
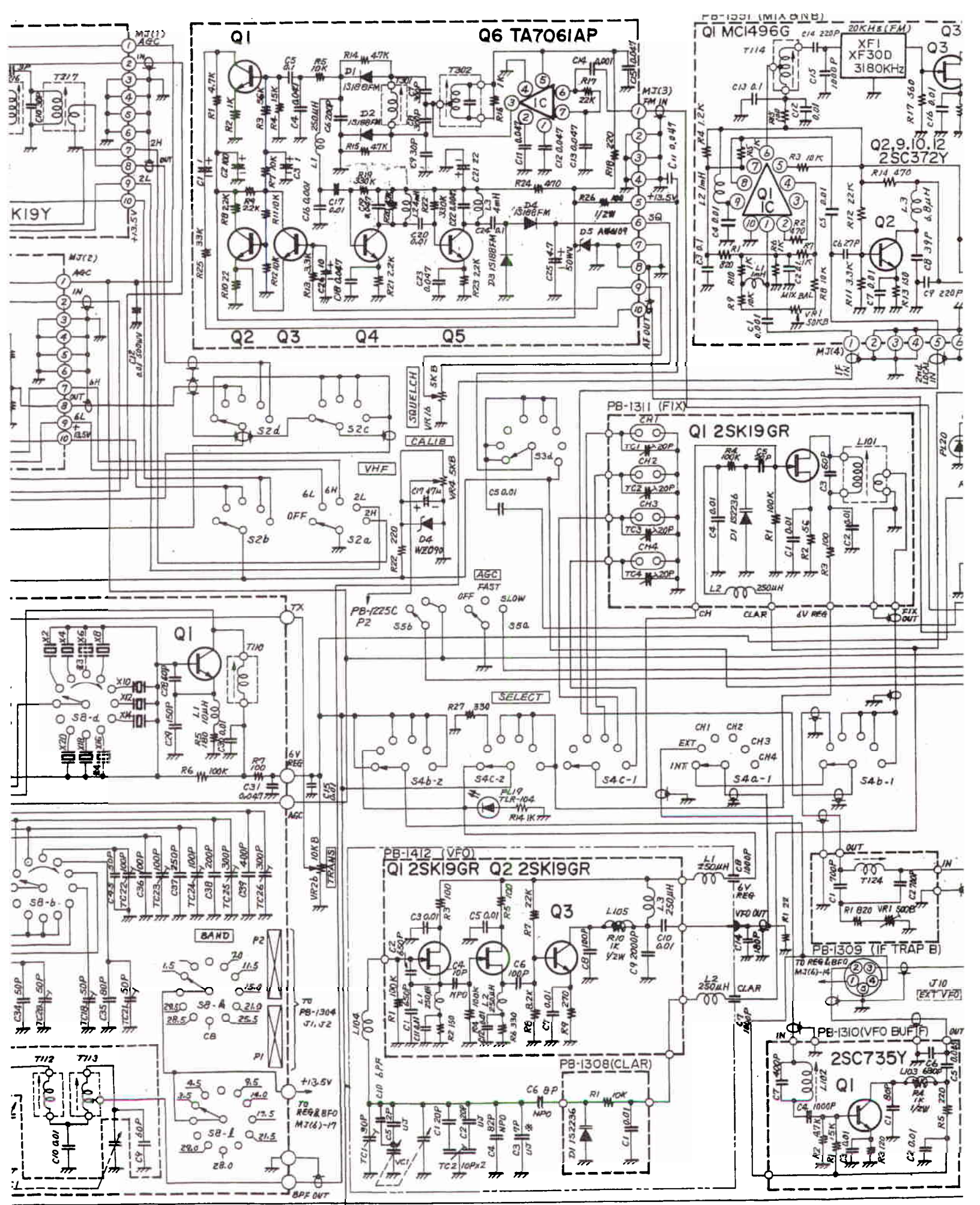


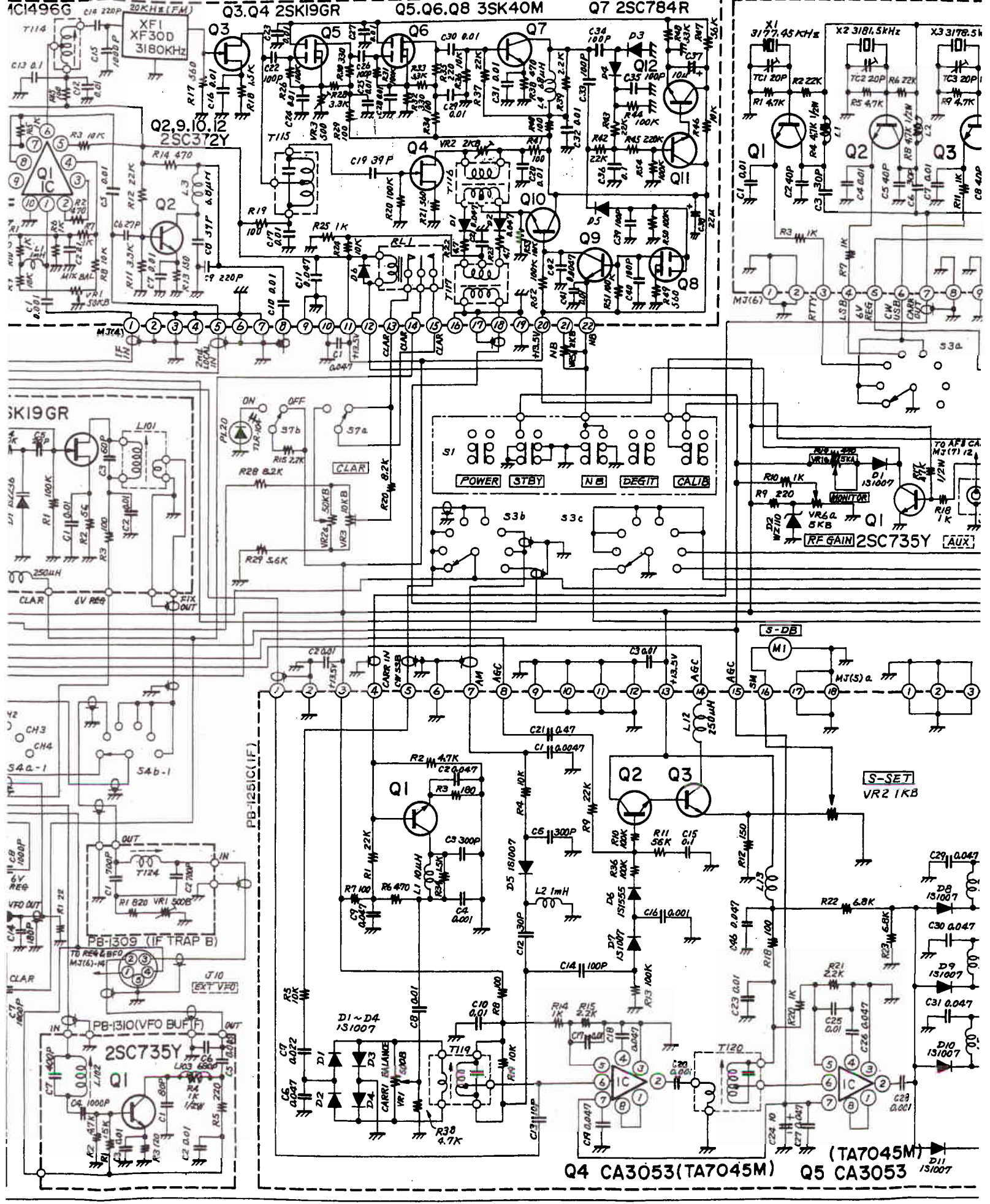
PB-1305A(6m CONVERTER)



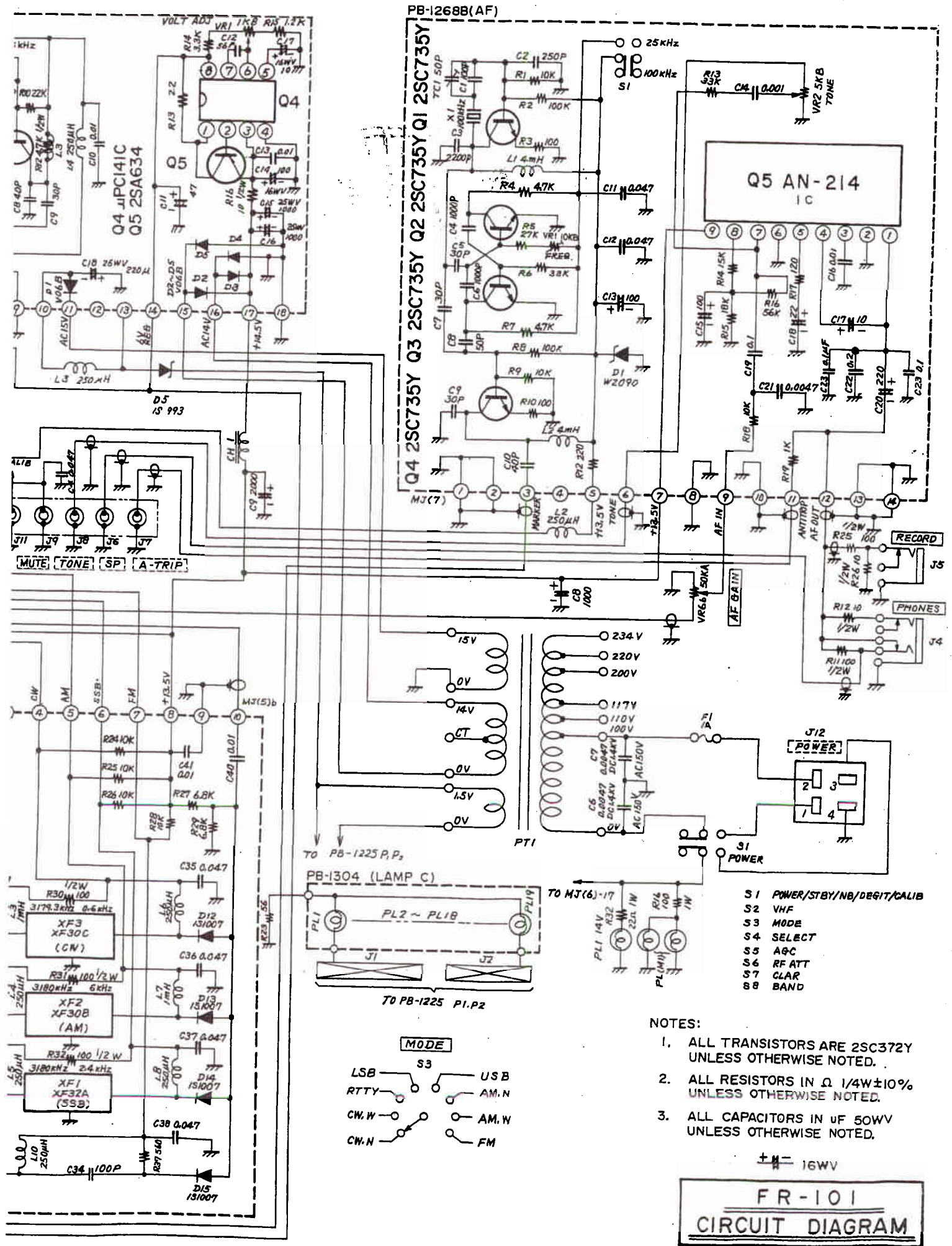
BAND	CRYSTAL	BAND	CRYSTAL
160 m	X11 7520 kHz	15 m	X13 27020 kHz
80 m	X2 9520 kHz	13 m	X14 27520 kHz
60 m	X4 10520 kHz	11 m	X15 31520 kHz
40 m	X7 13020 kHz	CB	X17 33020 kHz
31 m	X8 15520 kHz	10A	X18 34020 kHz
25 m	X9 17520 kHz	10B	X19 34520 kHz
20 m	X10 20020 kHz	10C	X20 35020 kHz
19 m	X11 21020 kHz	10D	X21 35520 kHz
16 m	X12 23520 kHz	*1~*4	OPTION

PB-1396 (RF AMP)





Q4 CA3053(TA7045M) Q5 CA3053 (TA7045M) D11 1S1007



PB-1268B(AF)

Q4 2SC735Y Q3 2SC735Y Q2 2SC735Y Q1 2SC735Y

- S1 POWER/STBY/NB/DEGIT/CALIB
- S2 VHF
- S3 MODE
- S4 SELECT
- S5 AGC
- S6 RF ATT
- S7 CLAR
- S8 BAND

- NOTES:
1. ALL TRANSISTORS ARE 2SC372Y UNLESS OTHERWISE NOTED.
  2. ALL RESISTORS IN  $\Omega$  1/4W $\pm$ 10% UNLESS OTHERWISE NOTED.
  3. ALL CAPACITORS IN  $\mu$ F 50WV UNLESS OTHERWISE NOTED.

$\pm$  = 16WV

FR-101  
CIRCUIT DIAGRAM

MODE

