

INSTRUCTION MANUAL FRG-7700

YAESU MUSEN CO., LTD.

C.P.O. BOX 1500
TOKYO, JAPAN

TABLE OF CONTENTS

| | (Page) |
|---------------------------------|--------|
| GENERAL DESCRIPTION | (1) |
| SPECIFICATIONS | (2) |
| SEMICONDUCTOR COMPLEMENT | (3) |
| CONTROLS AND SWITCHES | (4) |
| INSTALLATION | (8) |
| OPERATION | (13) |
| BLOCK DIAGRAM | (18) |
| CIRCUIT DESCRIPTION | (19) |
| MAINTENANCE AND ALIGNMENT | (22) |
| PARTS LIST | (25) |

ALL MODE COMMUNICATIONS RECEIVER FRG-7700



GENERAL DESCRIPTION

Available as an option for the FRG-7700 is Yaesu's exciting memory feature, which allows the storage and recall of up to twelve discrete frequencies. This allows the operator to watch several stations with pushbutton ease, thus eliminating the considerable effort involved in tuning manually for each of several stations one wants to watch. A memory backup feature is provided for the memory unit to preserve memories when power is removed (three penlight cells required, batteries not supplied).

Available as an option for the FRG-7700 is Yaesu's exciting memory feature, which allows the storage and recall of up to twelve discrete frequencies. This allows the operator to watch several stations with pushbutton ease, thus eliminating the considerable effort involved in tuning manually for each of several stations one wants to watch. A memory backup feature is built into the memory unit (three penlight cells required, batteries not supplied).

The FRG-7700 features high sensitivity, excellent selectivity, digital plus analog display of the operating frequency, and a built-in digital quartz clock that can be programmed to turn the receiver on and off. A snooze timer is included in the clock feature. The timer may also be used to control peripheral equipment such as a tape recorder, for unattended recording of programs you might otherwise miss because you must be away from your station.

Top performance features include a highly effective noise blanker, selectable fast/slow AGC (Automatic Gain Control) circuit, an audio filter which may be adjusted to improve interference rejection, an easy-to-read S-meter, and two RF attenuators (one fixed, one continuously adjustable) for operation under very strong signal conditions. For FM operation, a squelch control will silence the receiver until a signal is received. Convenient interface jacks for tape recorder control, audio output to an external speaker or tape recorder, receiver muting, and for listening via headphones make the FRG-7700 truly the most versatile receiver to be made available to the shortwave listeners of the world.

We recommend that this manual be read carefully prior to operating the FRG-7700. With proper care in installation and operation, this receiver will provide you with many years of trouble-free operation.

SPECIFICATIONS

Frequency Range:

150 kHz – 29.999 MHz (30 bands)

Modes:

AM, SSB (USB, LSB), CW, FM

Sensitivity:

| | AM | SSB/CW | FM |
|----------------|-------------------------|-------------------------|-----------------------|
| 0.15MHz–0.3MHz | 30 μ V/500 Ω | 3 μ V/500 Ω | – |
| 0.3MHz–2MHz | 25 μ V/500 Ω | 2 μ V/500 Ω | – |
| 2MHz–29.999MHz | 5 μ V/50 Ω | 0.5 μ V/50 Ω | 1 μ V/50 Ω |

Selectivity:

| | | |
|---------------|-----------------|-----------------|
| AM W (Wide) | 12 kHz (–6 dB) | 25 kHz (–50 dB) |
| AM M (Medium) | 6 kHz (–6 dB) | 15 kHz (–50 dB) |
| AM N (Narrow) | 2.7 kHz (–6 dB) | 8 kHz (–50 dB) |
| SSB/CW | 2.7 kHz (–6 dB) | 8 kHz (–50 dB) |
| FM | 15 kHz (–6 dB) | 30 kHz (–40 dB) |

Stability:

Less than ± 1 kHz from 1 to 30 minutes after power ON.

Less than ± 300 Hz after 30 minute warm-up.

Antenna Impedance:

0.15 MHz – 2 MHz BC 500 ohms
(unbalanced)

2 MHz – 29.999 MHz, SW/BC 50 ohms
(unbalanced)

Audio Output:

1.5 Watts (8 ohms, 10% THD)

Speaker Impedance:

8 ohms

4-16 ohms for external speaker or headphone

Power Requirement:

100/120/220/240 volts, AC 50/60 Hz

Power Consumption:

| | With Memory Unit |
|-------------------|------------------|
| Standby: AC 10 VA | AC 10 VA |
| ON: AC 33 VA | AC 39 VA |

Size:

334(W) x 129(H) x 225(D) mm

Weight:

Approx. 6 kg

6.5 kg (with Memory Unit)

SEMICONDUCTOR COMPLEMENT *

| | | |
|---|--|--|
| ICs: HD10551P 2 MB8718 1 MB84040B 1 MC4044P 1 MC14024BCP 2 MC14046BCP 1 MC14069UBCP 1 MC14504BCP 1 MC14518BCP 2 MC14555BCP 1 MC14556BCP 1 MSM4023RS 1 MSM5524RS 1 μPB553C 1 μPC575C2F 1 μPD5101LC 6 μPC78L05A 1 SN16913P 3 SN74LS123 1 SN74LS192 4 SN74LS196 1 SN74LS290 1 | SN74LS293 1 TA7061AP 1 FETs: 2SK107-3 2 2SK125 4 3SK73GR 8 Transistors: 2SA733AQ 17 2SC535A 1 2SC900E 4 2SC945AQ 70 2SC1047C 1 2SC1317R 1 2SC1384R 3 2SC1393L 2 2SC1674L 4 2SC1959Y 1 2SD288K 1 2SD882Q 3 MPS-A13 1 | Diodes: 1N60 10 1S188FM 4 1SS53 64 10D1 1 FC52M 2 FC63 1 MV104 5 RD4.7EB2 1 RD5.6EB2 4 RD7.5EB1 1 RD9.1EB2 1 RD10EB1 1 S2V10 1 S2VB10F 1 LEDs: TLG-208 1 TLY-205 2 TLY-208 1 |
|---|--|--|

* Including Memory Unit

Specifications subject to change without notice or obligation

ACCESSORIES

The following accessories are packaged along with the FRG-7700:

- (1) AC Power Cable (T9013280) 1 ea.
- (2) Extra fuses 100-120V 1A (Q0000002)
 220-240V 0.5A (Q0000001) 2 ea.
- (3) Wire for antenna (Q3000004) 10 m.
- (4) Extender feet with pads (R3054620) 2 ea.

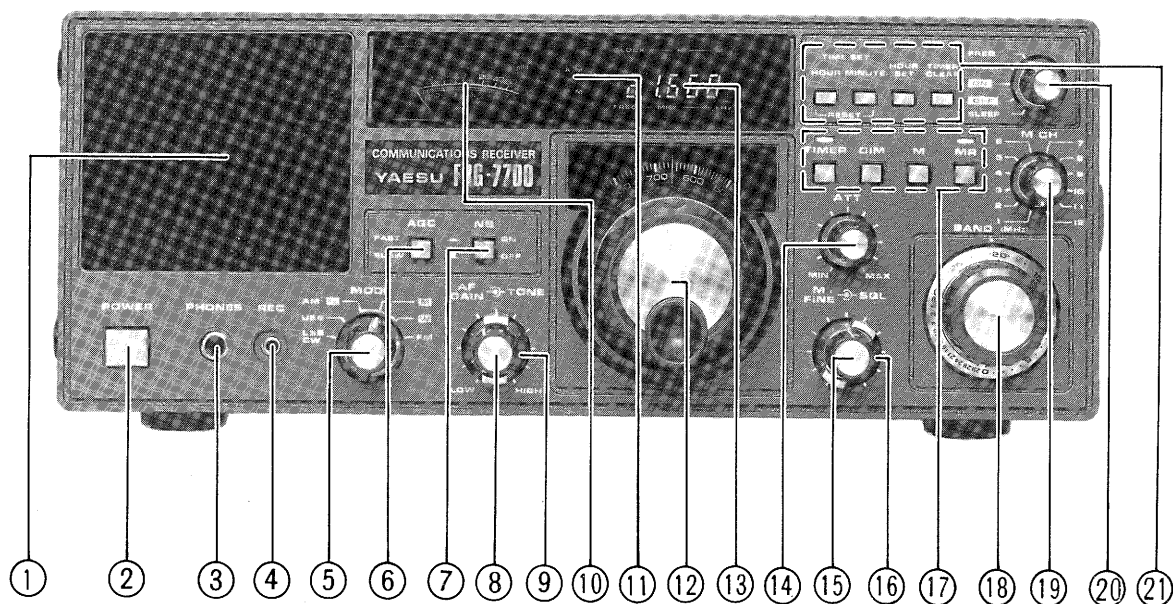
AVAILABLE OPTIONS

- (1) Memory Unit
- (2) Memory/Clock Backup Batteries (AA Size)

NOTE

In this manual, discussion of the memory feature will omit repetitive use of the word "option," in the interest of brevity. The standard FRG-7700 does not include the memory unit, which is available as an extra-cost option from your Yaesu dealer. The AA size penlight cells required to activate the memory backup feature are not supplied with the memory unit.

CONTROLS AND SWITCHES



FRONT PANEL

(1) SPEAKER

Internal speaker

(2) POWER

This is the main ON/OFF switch for the receiver. When the POWER switch is in the OFF position, on/off control may be exercised by the clock timer. See the "Operation" section for details.

(3) PHONES

This is a standard 1/4" headphone jack. When the headphone plug is inserted into this jack, the internal speaker is automatically cut off. The audio output impedance is 8 ohms.

(4) REC

This miniature phone jack is for recording purposes. The output level is approximately 100 mV (fixed), irrespective of the setting of the AF GAIN control.

(5) MODE

This control chooses the desired mode:

LSB/CW Use this position for lower sideband (LSB) and Morse Code (CW) reception.

USB Use this position for upper sideband (USB) reception. This position may also be used for CW reception, if desired.

AM N Use this position for narrow-band AM reception. Under conditions of extremely heavy adjacent frequency interference, this position of the mode switch may allow AM reception where a wider mode would be unusable. There will be some degradation in fidelity in the AM N position, however.

AM M For all-around AM reception, the AM M position of the mode switch may be used. Because of the wider bandwidth, the fidelity on the incoming signal is much better than with the AM N filter.

AM W Under clear band conditions, the AM W provides the widest bandwidth and best fidelity.

FM This position selects reception of FM signals.

(6) AGC

This switch allows selection of the optimum AGC (Automatic Gain Control) decay time. The SLOW position is normally used for AM reception, while the FAST position is normally chosen for Morse Code (CW) reception. For SSB reception, the optimum position is determined by band conditions and the adjacent-frequency interference level.

(7) NB

This switch, when pressed, activates the noise blanker for reduction in the level of interfering pulse-type noise.

(8) AF GAIN

The AF GAIN control varies the volume level from the speaker. Clockwise rotation increases the volume level.

(9) TONE

This control varies the high-frequency audio response. The variation in audio fidelity provided by the TONE control is highly useful in minimizing interference from heterodynes and other high-pitched noises that might ruin reception.

(10) S-METER

The S-meter provides a relative indication of the signal strength on the incoming signal. The upper scale is calibrated in S-units from S1 to S9, with stronger signals indicated in dB over S9. The lower scale is calibrated in S-units compatible with the SINPO code, as shown in Table 1.

(11) AM, PM

These are AM and PM indicators for the clock.

(12) MAIN DIAL

The main dial determines the operating frequency of the FRG-7700, in conjunction with the setting of the BAND switch.

(13) DIGITAL DISPLAY

The digital display indicates the operating frequency as well as the time. Selection of display of the frequency or time is made via the FUNCTION switch.

(14) ATT

The ATT (Attenuator) control, when rotated in a clockwise direction, reduces the gain of the receiver preamplifier, thus minimizing overloading of the receiver during conditions of extremely strong adjacent-frequency interference. Maximum receiver sensitivity occurs when the ATT control is rotated to the fully counterclockwise position.

(15) M FINE

This control allows fine tuning during memory operation. A frequency excursion of up to 1 kHz may be achieved using this control.

(16) SQL

The SQL (Squelch) control will silence the receiver until a signal is received. The SQL control is usable

ONLY in the FM mode.

(17) CONTROL SWITCHES (TIMER, DIM, M, MR)

TIMER Once the desired on/off timers are programmed into the clock, push this switch to activate the power control timer. In this mode, the digital clock timer will turn the receiver on and off.

DIM This button, when pushed, will allow dimming of the meter lamp, the dial lamps, and the display intensity.

M Push this button to store a frequency into memory.

MR This button, when pushed, transfers frequency control from the main dial to the memory system. Push the button again to return to main dial tuning.

(18) BAND

This switch selects the desired 1 MHz segment within the HF spectrum, with calibrations from 0 MHz to 29 MHz. Also provided are preset marks for the HF amateur radio (ham) bands.

(19) M CH

This switch selects the desired memory channel.

(20) FUNCTION

This switch selects the Digital Display functions.

FREQ All digits of the operating frequency are displayed with resolution to 1 kHz.

CLOCK Time is displayed in a 12-hour format.

ON The ON time, at which the receiver will be turned on, is displayed.

OFF The OFF time, at which the receiver will be turned off, is displayed.

SLEEP The remaining time of the sleep timer is displayed.

(Up to 59 minutes can be set for the sleep timer.)

(21) CLOCK SETTING SWITCHES

HOUR This switch is used for setting hours on the clock and timer. Pressing this switch once will advance the reading by one hour. If this switch is held for more than two seconds, the hour reading will advance continuously.

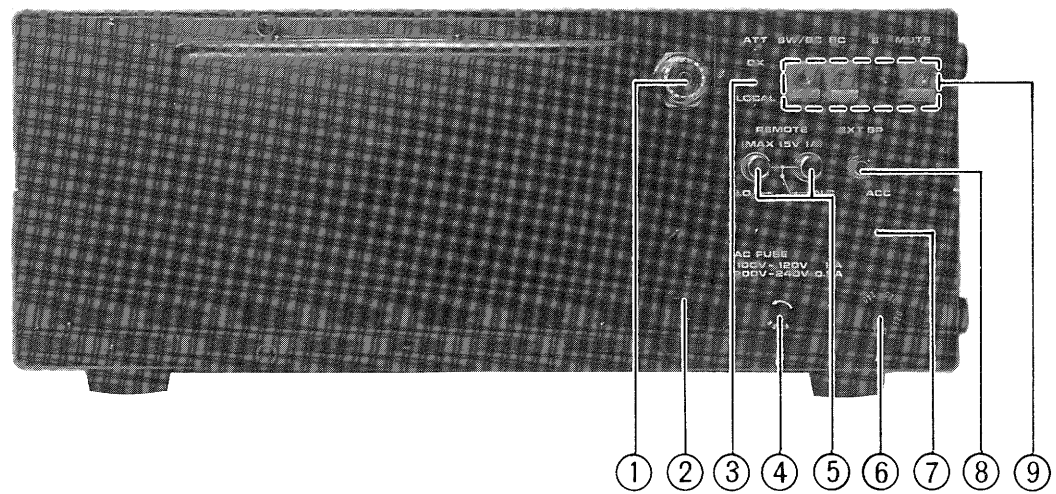
MINUTE This switch is used for setting minutes. The setting procedure is identical to that for setting hours.

HOUR SET

This switch, when pressed, resets the minute and second digits of the clock to zero. For example, if more than 30 minutes are displayed on the clock, pressing the HOUR SET button will advance the clock to the next hour. If less than 30 minutes have elapsed in the hour, pressing the HOUR SET button will zero the minutes and seconds, but leave the hour reading unchanged. This feature facilitates easy time setting.

TIMER CLEAR

This switch, when pressed, clears the remaining time before the programmed off time. After the timer turns the receiver on in the TIMER mode, you may push the TIMER CLEAR button to turn the receiver off. The following day, the receiver will turn ON again at the programmed time. In the sleep timer mode, pushing this switch will cause the remaining time to be zero, and the receiver will turn off.



REAR PANEL

(1) COAX ANT

This is a standard UHF type coaxial connector for shortwave and standard broadcast listening. This connector is wired in parallel with the SW/BC terminals.

(2) AC

The AC power cable should be connected at this point.

(3) ATT

The ATT (Attenuator) switch activates an attenuator in the incoming signal path when the LOCAL position is selected. For best receiver sensitivity, this switch should be placed in the DX position.

(4) AC LINE FUSE

For 100/120 volt operation, a 1 amp fuse should be installed here. For 200/240 volt operation, a 1/2 amp fuse should be installed here. When replacing fuses, be absolutely certain to use a fuse of the proper rating, as our warranty does not cover damage caused by use of an improper fuse.

(5) REMOTE (N.O./N.C.)

These RCA type jacks may be used for control of peripheral equipment such as tape recorders, etc. When the TIMER switch is activated, and the ON time is reached, the internal switching relay is activated. When the OFF time is reached, the relay returns to its normal condition. The normally open and normally closed jacks on the rear panel may then be used, according to the control requirements of your station equipment. See the "Operation" section for details.

(6) AC VOLTAGE SELECTOR

This is for selection of the proper input AC voltage. Set this selector for your local line voltage. If you have any question about your local line voltage, consult your local Yaesu dealer before attempting operation of this equipment.

(7) ACC

This is a 5 pin DIN accessory jack which affords access to AGC voltage, an 11 volt DC line, and the mute line.

(8) EXT SP

An external speaker may be connected via this jack. The audio output impedance is 4-16 ohms. Insertion of a plug into this jack automatically cuts off the internal speaker.

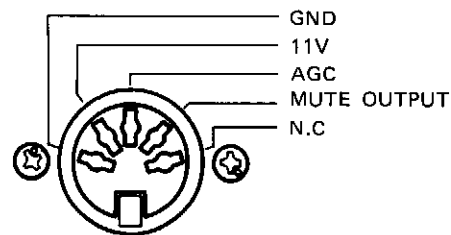
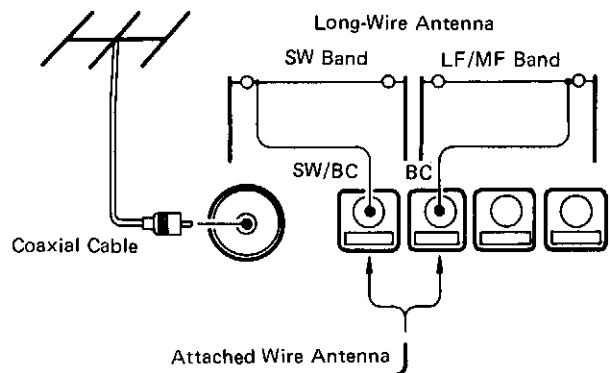
(9) SW/BC, BC, E, MUTE

SW/BC is for connection to a long wire antenna for both shortwave and broadcast listening.

BC is for connection to a long wire antenna for broadcast band listening.

E is a ground connection.

MUTE provides a means of muting the FRG-7700 (an external standby switch). Shorting the MUTE terminal to ground will mute the receiver.



ACC CONNECTIONS

SINPO CODE

| | Signal Strength | Degrading Effect of | | | Overall Rating |
|---|-------------------------|---------------------|---------------------|---------------------------|----------------|
| | S | Interference I | Noise N | Propagation Disturbance P | |
| 5 | Excellent * (60dB) | Nil ● (-40dB) | Nil (-40dB) | Nil ○ (0dB) | Excellent |
| 4 | Good (45dB) | Slight (-30dB) | Slight (-30dB) | Slight (10dB) | Good |
| 3 | Fair (30dB) | Moderate (-20dB) | Moderate (-20dB) | Moderate (20dB) | Fair |
| 2 | Poor (15dB) | Severe (-10dB) | Severe (-10dB) | Severe (30dB) | Poor |
| 1 | Barely Audible (0dB) | Extreme (0dB) | Extreme (0dB) | Extreme (40dB) | Unusable |

Table 1

* RECEIVER INPUT LEVEL
● RATIO TO SIGNAL
○ DEPTH OF FADING, ECHO, ETC.

INSTALLATION

Best performance from this equipment can only be obtained if proper care is observed during installation. While the setup procedure for the FRG-7700 is extremely straightforward, permanent damage to the set can occur if improper voltage is applied to the unit or if external connections are improperly made. Before attempting operation of your FRG-7700, be certain to read the following sections carefully.

UNPACKING AND INITIAL INSPECTION

Carefully remove the FRG-7700 from its carton, and inspect it for any signs of physical damage. Rotate the knobs and push the switches, checking each for normal freedom of action. Should any damage be observed, document it carefully, and notify the shipping company immediately. Save the carton and foam packing material for possible use at a later date.

AC VOLTAGE SELECTION

Your FRG-7700 is supplied with a power transformer capable of operation from 100, 120, 220, or 240 volts, as these voltages are the ones most commonly used throughout the world. Your Yaesu dealer has taken care to make sure that your radio is set up for the voltage used in your area. However, in some parts of the world, more than one voltage is available for use. It is extremely important that the FRG-7700 not be subjected to an improper supply voltage.

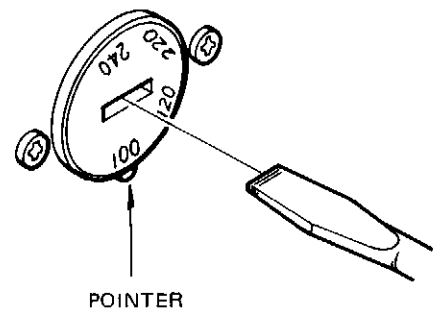
Therefore, before connecting the power cord to the radio, make absolutely certain that the voltage specification marked on the rear panel of your receiver (lower right-hand corner) matches your local supply voltage. At the same time, check to make certain that a fuse of the proper rating is installed. For 100/120 volt operation, use a 1 amp fuse. For 220/240 volt operation, use a 1/2 amp fuse. The fuse holder is located on the rear panel. NEVER remove the fuse holder when the power cord is plugged into the wall outlet.

CAUTION

Be certain to observe the above precautions regarding power connections and fuses. Our warranty does not cover damage caused by improper supply voltage nor damage caused by use of an improper fuse.

To set the radio up for operation on a different voltage (as, for example, should you move from Europe to the United States), proceed as follows:

- (1) Disconnect the power cord from the rear of the FRG-7700.
- (2) Remove the label covering the voltage selector control on the rear panel of the receiver.
- (3) Insert a screwdriver into the slot on the voltage selector. Rotate the selector until the proper voltage is at the very bottom of the selector, in line with the pointer.
- (4) If a change is made from 100/120 volts to 220/240 volts, or vice versa, be certain that you install a fuse of the proper rating. For 100/120 volts, use a 1 amp fuse, and for 220/240 volts, use a 1/2 amp fuse.
- (5) Make a small label to indicate the new voltage specification for the receiver, and secure it over the voltage selector.
- (6) Connect the power cord to the rear panel "AC" jack, and plug the power plug into your wall outlet.
- (7) If you have any doubt about your local supply voltage, ask your Yaesu dealer. Improper supply voltage must not be applied to this instrument.



AC VOLTAGE SELECTOR

BACKUP BATTERY INSTALLATION

Memory-equipped FRG-7700 receivers include a backup feature which will hold the memory even when the unit is unplugged from the supply voltage. The backup feature requires three AA size penlight cells (not supplied), which should be installed as shown in Figure 1. Be absolutely certain to observe the proper polarity of the batteries during installation.

Battery consumption is extremely low, but we recommend that the backup batteries be replaced once per year. If you have not used the FRG-7700 for a long time, we recommend that you inspect the penlight cells to ensure that no leakage from the batteries has occurred. Damage caused by battery leakage or improper battery polarity is not covered by our warranty.

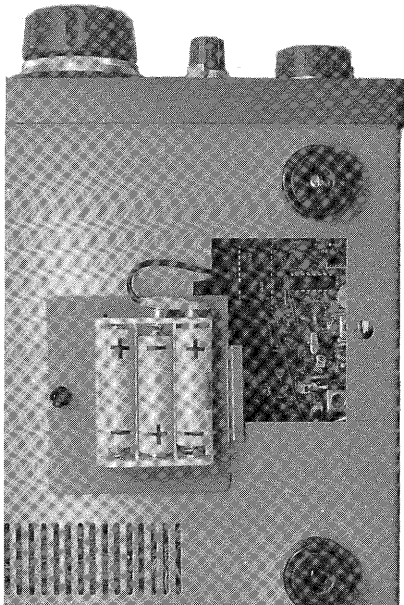


Figure 1

GROUND CONNECTION

For best performance and safety, the FRG-7700 should be connected to a good earth ground. The ground lead should be a heavy-gauge braided cable or wire, and should be connected to the terminal marked "E" on the rear panel of the receiver.

ANTENNA INSTALLATION

The antenna is an important part of your station installation. Without a good antenna system, it will be difficult for you to take full advantage of your FRG-7700 receiver's many high-performance features. For best reception, please follow the guidelines presented below regarding antenna installation.

(1) Low Frequency (LF) and Medium Frequency (MF) Reception (Below 2 MHz Exclusively)

Good all-around reception will occur if a single long wire is connected to the BC terminal on the rear of the receiver. Insulate the wire at the far end, and at the point where it enters your house; ceramic insulators suitable for antenna installations are available from your Yaesu dealer. The wire itself may be either bare or insulated (plastic or vinyl covering on the wire), with the constraint that bare wire should not come in contact with trees or other obstructions.

In general, the antenna wire should be as long, high, and in the clear as possible. If these simple recommendations are followed, good reception will be easy to obtain.

(2) Shortwave (SW) Reception (Above 2 MHz Exclusively)

Maximum performance is secured in the shortwave bands through the use of a resonant antenna having an impedance of 50 ohms at the design frequency. A center-fed "dipole" antenna cut for the most-listened-to frequency will easily satisfy this requirement. Dipole antennas should be fed with coaxial cable, and suitable antenna kits are available from your Yaesu dealer.

However, the shortwave bands are quite wide, and no dipole antenna will be resonant throughout this entire frequency range. The best course of action, then, is to cut the legs of the dipole antenna to the longest (equal) lengths that your installation area will allow. This will provide an excellent listening system for your shortwave station.

Should you wish to cut your dipole antenna for optimum performance on a particular shortwave band, the formulas of interest are:

$$\text{Length (feet)} = 468/\text{frequency (MHz)}$$

$$\text{Length (meters)} = 142.5/\text{frequency (MHz)}$$

Notes Regarding Antenna Installations

For general reception (listening on both the LF/MF and shortwave bands), the antenna connection should be made to the SW/BC connector or to the coaxial antenna connector on the rear panel. If your primary interest is only on the LF/MF bands, then connect your antenna wire to the BC terminal. Do not connect one antenna to the SW/BC terminal (or coax connector) and another antenna to the BC connector at the same time; if you do, overloading or intermodulation distortion may be created, degrading receiver performance.

Use extreme caution when installing your antenna system. Every year, several people are electrocuted because their antenna touched a high-voltage wire providing their normal house current. It is extremely important that your shortwave antenna be located such that it cannot possibly come in contact with electric wires even in a disastrous windstorm.

REMOTE TERMINAL CONNECTIONS

The REMOTE terminals are connected to a relay, which is an electronically controlled switch. In the case of the FRG-7700, the switching relay is controlled by the clock timer, allowing you to control the operation of a tape recorder or other equipment simply by the proper setting of your FRG-7700 clock controls. The "N.O." terminal is "normally open," which means that the relay will cause no connection to be made from the center pin to ground until the timer activates the relay. The "N.C." terminal is "normally closed," which


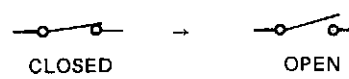
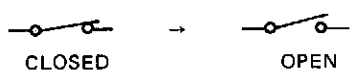
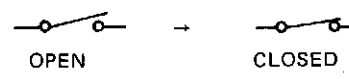
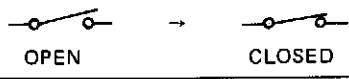
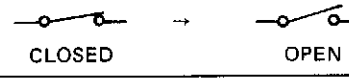
means that the relay contacts will cause a connection to be made between center pin and ground until the relay is activated; the relay will then open the connection.

Most tape recorders have a "footswitch" connection which allows external control. In some cases, this external on/off control line is incorporated into the microphone cord. Closing an external switch then allows the tape recorder to be turned on. To use this kind of tape recorder with the FRG-7700, connect a shielded cable from the tape recorder footswitch jack to the FRG-7700 "N.O." jack, and connect a shielded cable from the FRG-7700 "REC" jack on the front panel to the tape recorder "LINE IN" or "MIC" jack, depending on the levels accepted by your tape recorder. Remember that the REC jack on the FRG-7700 is not controlled by the AF GAIN control, but the EXT SP jack is; you may want to connect your audio input line differently for your particular requirements.

Details of the operation of the timer are included in the "Operation" section of this manual. Table 2 indicates the position of the relay contacts tied to the REMOTE terminal.

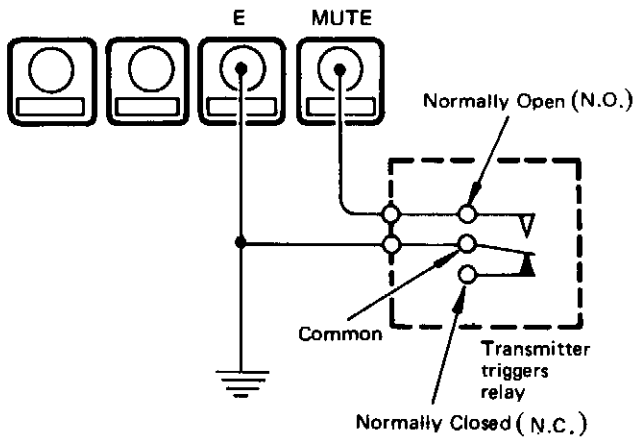
MUTE CONNECTION

When the FRG-7700 is used in conjunction with a transmitter, the MUTE terminal on the rear panel may be used to silence the receiver when transmitting. Do not forget to use a relay for external antenna switching between the receiver and transmitter. Shorting the MUTE terminal to ground will cause the receiver to be silenced.

| TIMER FUNCTION | N.O. Terminal | N.C. Terminal | FRG-7700 (with POWER SW OFF) |
|----------------|--|---|---|
| ON TIMER |  OPEN → CLOSED |  CLOSED → OPEN | ON at the programmed time |
| OFF TIMER |  CLOSED → OPEN |  OPEN → CLOSED | OFF at the programmed time |
| SLEEP TIMER |  OPEN → CLOSED |  CLOSED → OPEN | OFF after the programmed period of time |

→ When the timer is activated

Table 2



PHYSICAL LOCATION OF THE FRG-7700

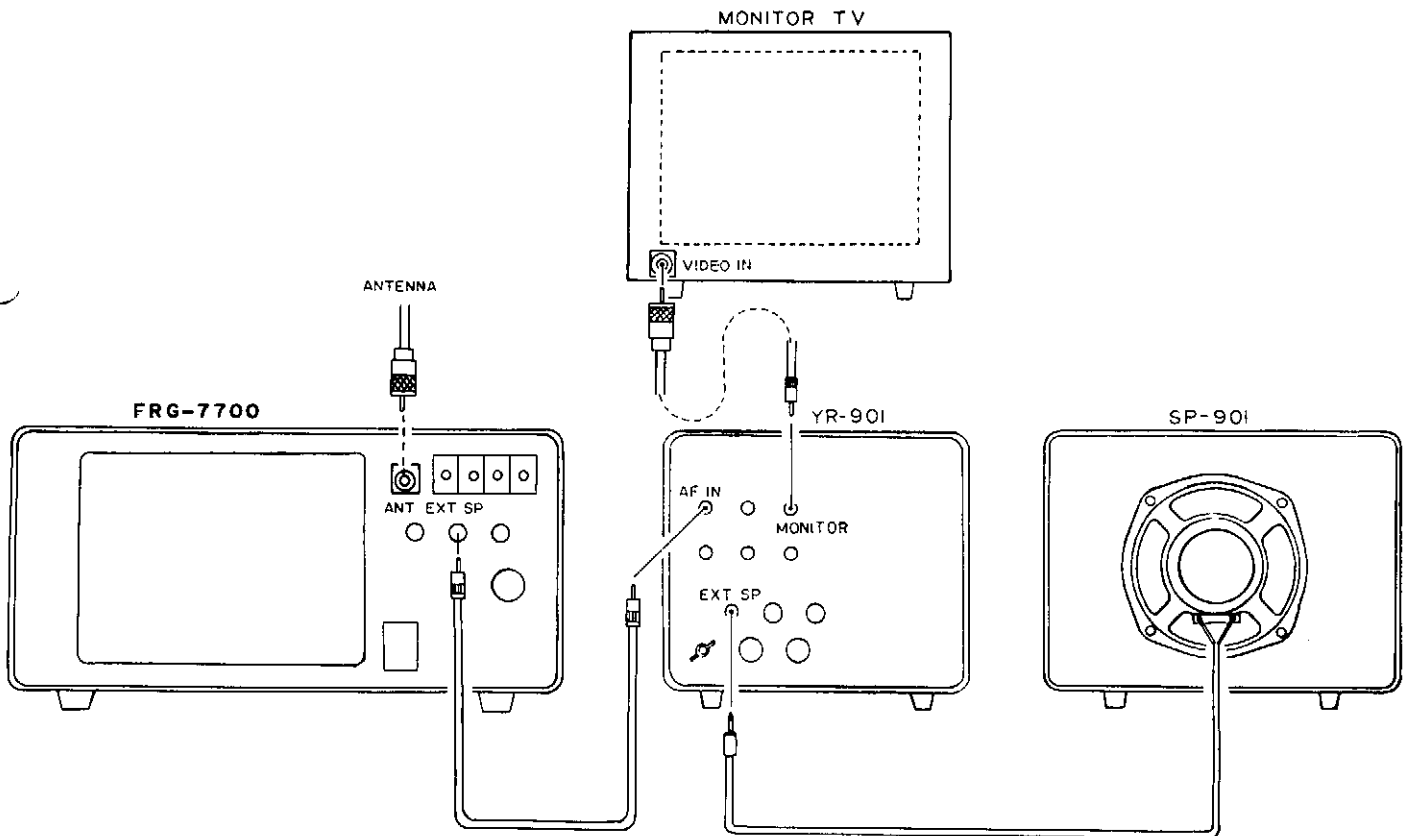
The FRG-7700 will perform well in any location that allows free passage of air around the cabinet. Solid state equipment such as the FRG-7700 should not, however, be used in extremely hot environments unless some provision is made (external fan, etc.) for keeping the station temperature less than 40°C.

INTERCONNECTION WITH YR-901 MORSE CODE/TELETYPE READER

The YR-901 is a high-performance computerized translator which will allow display on a video monitor of incoming Morse Code and/or teletype (RTTY) signals. The YR-901 and YVM-1 Video Monitor are options available from your Yaesu dealer.

Complete operation instructions are included with the YR-901. Please refer to the drawing below for details of the extremely simple interconnections required. Please note that the SP-901 speaker is not mandatory for use with the YR-901, as the latter includes a built-in speaker.

The YR-901 will allow you to see for yourself late-breaking teletype news as it comes from abroad on circuits used by the international news services. Amateur radio Morse Code and teletype communications, and a host of other exotic transmissions will unfold before you on the video screen. See your Yaesu dealer for details.



FRG-7700/YR-901/YVM-1/SP-901

MEMORY UNIT INSTALLATION

The optional Memory Unit is easily installed in a matter of minutes. Please follow the below instructions carefully, in order to make the proper connections.

- (1) Remove the small cover from the rear panel of the receiver, as shown in Fig. 2.
- (2) Connect the six plugs which are fastened to the cover to the appropriate jacks on the Memory Unit, as shown in Fig. 3.
- (3) Mount the Memory Unit with the supplied self-tapping screws (4 pcs), as shown in Fig. 4, being sure that no wires from inside the unit are protruding.

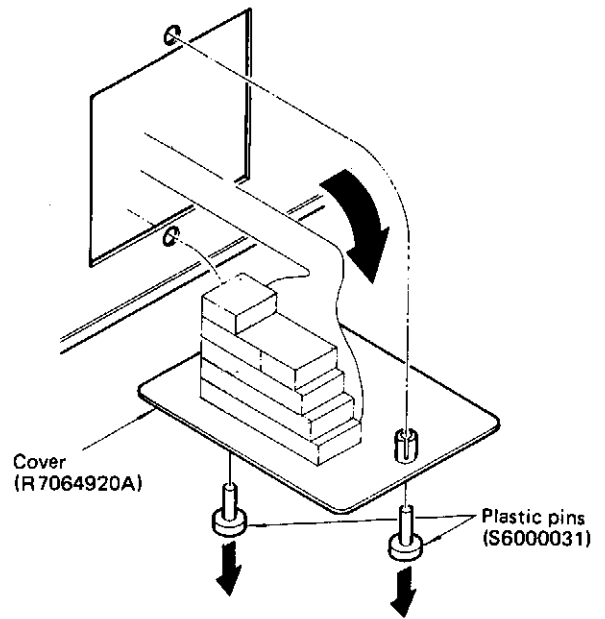


Figure 2

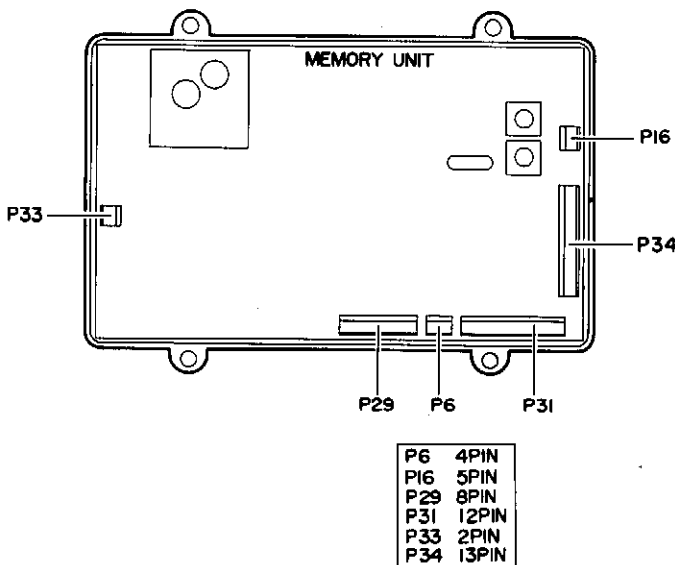


Figure 3

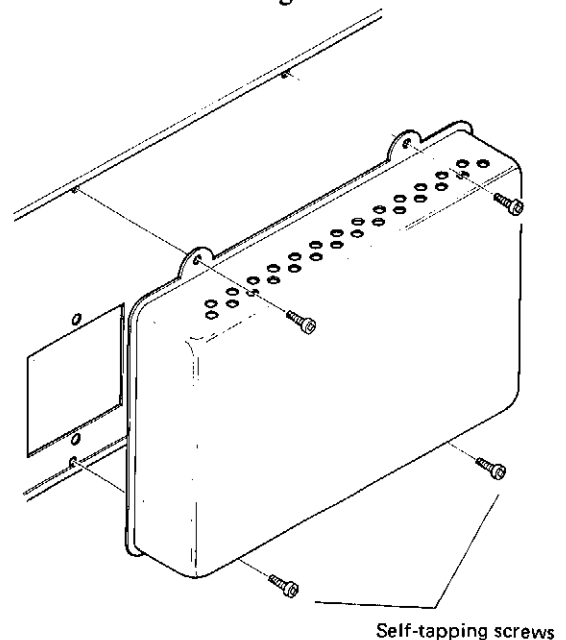


Figure 4

BOTTOM PANEL FEET

The feet on the bottom of the receiver may be changed, should you desire to change the viewing angle for the FRG-7700. The extender feet, packed in the accessory kit for the receiver, may be installed at the front or back, depending on the viewing angle desired. When repacking the receiver for shipping, be certain to replace the original feet. Refer to Figure 5 for mounting details for the bottom panel feet.

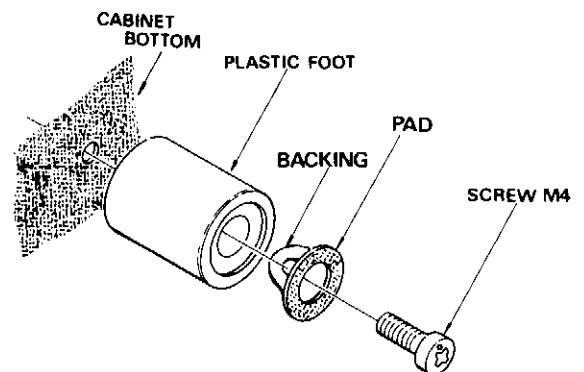


Figure 5

OPERATION

Operation of the FRG-7700 is extremely straightforward. However, the owner should read these pages carefully so as to derive maximum performance from this equipment. Before attempting operation, make certain that all power, antenna, and ground connections have been made correctly.

FREQUENCY SELECTION

The operating frequency is read directly from the digital display. All digits of the operating frequency are displayed, with resolution to 1 kHz. The BAND switch is calibrated in 1 MHz steps, from 0 MHz through 29 MHz, with an additional 10 steps being provided for instant presetting to the bands containing the amateur radio (ham) bands.

To select a frequency, first set the BAND switch to the desired 1 MHz segment, then rotate the main dial to select the last three digits of the frequency. A coarse frequency determination may also be made through the main dial window, which is calibrated every 10 kHz.

AM BROADCAST RECEPTION

- (1) Most commercial broadcast stations in the MF and HF bands use the AM (Amplitude Modulation) mode of operation. To begin, turn the power switch on, and set the mode switch to AM M (AM mode, medium bandwidth).
- (2) Tune in an AM station to the point where the S-meter reading reaches a maximum.
- (3) If there is very heavy interference, you may wish to set the mode switch to the AM N (AM mode, narrow bandwidth) position. This will provide maximum rejection of adjacent-frequency interference, although the narrower bandwidth will cause some loss of fidelity. Conversely, if there is very little interference, you may switch to the AM W (AM mode, wide bandwidth) position. This will provide maximum fidelity.
- (4) The TONE control on the front panel may be used to vary the audio response characteristics

of the receiver. For example, if you are troubled by a high-pitched "heterodyne" signal, rotate the TONE control in a counterclockwise direction to reduce this interference.

- (5) When extremely strong signals are encountered, the operator may want to reduce the level of these signals. Rotate the ATT (Attenuator) control on the front panel clockwise to reduce the strength of the incoming signals. Should you desire to activate the fixed 20 dB attenuator, set the rear panel ATT switch to LOCAL. For most listening, though, leave this switch set to the DX position.
- (6) For reduction in impulse-type noise (automobile ignition, etc.), push the NB (Noise Blanker) switch. This circuit is highly effective in minimizing this type of interference.
- (7) An Automatic Gain Control (AGC) circuit is included in your FRG-7700. This feature keeps signal strengths adjusted to a constant level under conditions of fading. When rapid fading conditions are encountered, you may want to set the AGC switch to FAST, as the use of the SLOW position might cause a weak signal to be obliterated by an adjacent-frequency station which is much stronger. With some experience, the operator will soon learn the proper settings of the MODE and AGC switches for operation under a variety of conditions.

AMATEUR RADIO (HAM) BAND RECEPTION

Amateur radio operators use a variety of operating modes on the HF bands. However, your FRG-7700 is well equipped to receive the various types of ham signals encountered in day-to-day operation.

SSB Voice Signals

- (1) Amateur radio operators use lower sideband (LSB) on the bands below 10 MHz, and upper sideband (USB) above 10 MHz. Set the mode switch accordingly.

- (2) Turn the power switch on. The meter lamp and digital display will become illuminated.
- (3) Rotate the ATT control fully counterclockwise, and adjust the AF GAIN control for a comfortable listening level.
- (4) Now rotate the main tuning dial until a voice signal is found. Careful adjustment of the main tuning dial will result in excellent clarity on the incoming SSB signal. Under conditions of rapid fading, set the AGC switch to FAST.
- (5) When pulse-type ignition noise is encountered, push the NB switch.
- (6) Adjacent frequency interference may be reduced substantially by counterclockwise rotation of the TONE knob. Also, advancing the ATT knob in a clockwise direction may result in some reduction of interference from a strong adjacent station; such a station may be so strong that the AGC control may cause the receiver to be "pumped," and reduction of the receiver front end gain will reduce this effect.
- (7) Note that the bandswitch contains nine bands which correspond to the amateur radio allocations. This allows simplified band changing when listening to amateurs. The 10, 18, and 24 MHz bands, newly assigned to the amateur service, are not yet approved for amateur operation in most countries, and no amateur operations will be heard until action is taken by the governments involved.

Morse Code (CW) Reception

Morse Code transmissions may be received by placing the mode switch in either the USB or LSB/CW position. The operator may find that adjacent-frequency interference conditions are better in one or the other of the above modes, and that position should be used until conditions change. The main tuning dial should be rotated until a comfortable listening pitch is obtained.

Frequency Modulation (FM) Reception

Frequency modulation operation is becoming more popular on the 29 MHz amateur band. Also, the operator may wish to use the FRG-7700 with a VHF/UHF converter, for listening to FM repeater operation on the VHF and/or UHF bands. Set the mode switch to FM, and rotate the main tuning dial until the best fidelity on the incoming signal is obtained.

For FM operation, the front panel squelch (SQL) control should be advanced to the point where the receiver is just silenced when no signal (only noise) is being received. This will allow silent monitoring during long periods when no stations are active.

MEMORY OPERATION

The memory feature provides a means of storing frequencies you may want to recall at a later time. Up to twelve stations may be stored in memory. Here is the simple procedure for memory storage and recall:

- (1) Set the M FINE control to the 12 o'clock position. Rotate the M CH switch to memory channel 1.
- (2) Tune the receiver to the desired station, being careful to tune for best clarity and fidelity. Press the M (Memory) button. The station is now stored. Continue tuning for additional stations, if desired, and store them in the other memory channels.
- (3) To recall a station previously stored, rotate the M CH switch to the appropriate channel, and press the MR (Memory Recall) button.
- (4) To return control to the main tuning dial, simply push the MR button again. The MR lamp will turn off, and normal tuning will again be possible. The stations stored in memory will not be lost if you release the MR switch; just press it again to return to the memory.

- (5) Note that stations on different bands may be stored in memory. Once stored, they may be recalled without the need to rotate the band switch to the appropriate band. In other words, you may store stations in the 11 MHz, 15 MHz, and 21 MHz bands as you tune them in using the band switch and main tuning dial; once you press the MR button, you only need to rotate the M CH switch to recall these stations, with no change in the position of the bandswitch required.
- (6) The M FINE control may be used to provide fine tuning of ± 1 kHz from a memorized frequency. This may be necessary should the memorized station begin to drift, or should propagation conditions cause new interference to appear on frequency. Judicious use of the AM N position of the mode switch, along with the M FINE control, will provide solid copy on many stations that might otherwise be obliterated by interference.

DIGITAL CLOCK OPERATION

The built-in digital quartz clock is a highly accurate timepiece which adds convenience and flexibility to your FRG-7700 station. The clock will operate so long as the receiver is plugged in, and it will also operate off of the memory backup batteries. When the receiver is initially plugged in, the clock will indicate AM 1:00 and will begin counting. Setting the time is a simple procedure, as shown below.

Example: set the clock to 5:25:00 PM

- (1) Place the FUNCTION switch in the CLOCK position, then push and hold the HOUR SET button. The minutes and seconds will reset to zero. Tune in WWV at 10 MHz (or another international time standard) on the receiver. When the time standard ticks off the start of a new minute, release the HOUR SET button. This will align the count of the seconds to the international time standard.
- (2) Push the HOUR button to advance the hour digit to 5:00. If the HOUR button is held for more than two seconds, the hour digits will advance rapidly until the HOUR button is released.

- (3) Push the MINUTE button to advance the minute digit to 25. When the MINUTE button is pressed and held, the digits will advance rapidly, in the same manner as the hour digit.
- (4) The clock should be accurate within 15 seconds per month. When setting the clock, be certain that the appropriate AM/PM digit is illuminated.

TIMER OPERATION

Four timer functions are available. They are:

ON Timer

In this mode, the receiver is turned on at a pre-programmed time.

OFF Timer

In this mode, the receiver is turned off at a pre-programmed time.

ON/OFF Timer

In this mode, both the on and off times are preset for power control of the receiver.

SLEEP Timer

In this mode, you may set a listening time of up to 59 minutes, after which the receiver will turn off.

To set the timer for on/off automatic control of the FRG-7700, proceed as follows (example—on time 10:30 AM, off time 11:30 AM)

- (1) Set the POWER switch to OFF, and set the function switch to the ON position.
- (2) Set the display to 10:30 AM by pushing the HOUR and MINUTE buttons, in the same way as you did when you preset the clock earlier.
- (3) Set the function switch to OFF. Set the display to 11:30 AM by pushing the HOUR and MINUTE buttons.
- (4) Push the TIMER switch to activate the timer. The FRG-7700 will turn on at 10:30 AM, and turn off at 11:30 AM. Be certain to observe the AM or PM lamps when programming the on and off times.

- (5) If you want to turn the receiver off before the programmed off time, push the **TIMER CLEAR** button.

To set the sleep timer, proceed as follows:

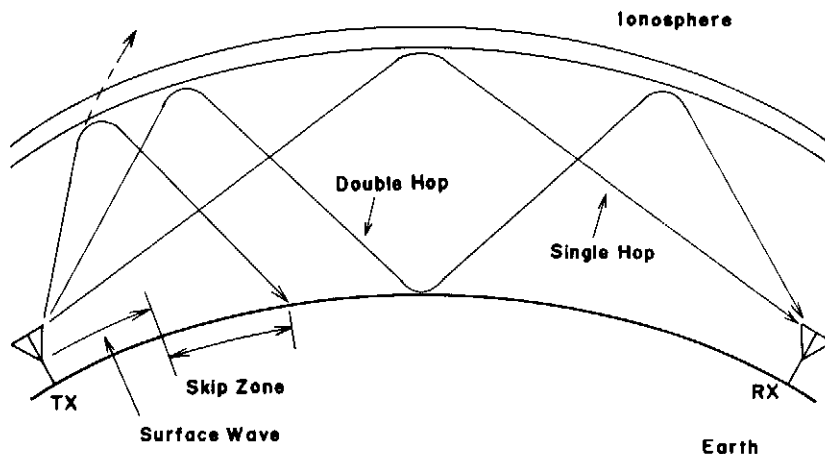
- (1) Turn the **POWER** switch **OFF**, and set the function switch to the **SLEEP** position.
- (2) Push the **MINUTE** switch once. This will cause the sleep time to count back from the 59 minute mark by one minute. Holding the **MINUTE** button down will cause the time to change rapidly, in the same manner as described earlier. If you set the display to 40, the receiver will stay on for 40 minutes, then shut off.
- (3) If you want to turn the receiver off before the programmed off time, push the **TIMER CLEAR** button.

NOTES REGARDING PROPAGATION OF SHORTWAVE SIGNALS

While a complete discussion of the physics of shortwave radio signal propagation is well beyond the scope of this manual, some guidelines are presented below to help you to choose the optimum listening frequency for the time of day and the time of year in which you are operating. This discussion will also help you when you are reading the schedules of overseas broadcast stations; you will soon be able to know instantly why you cannot expect to hear Tokyo on 3.9 MHz at 1:00 in the afternoon.

Shortwave signals are transmitted by huge stations running many thousands of watts of power. Their antenna systems are elaborate and expensive. But all of this equipment would be useless were it not for a property of the ionosphere (a layer of the atmosphere high above the earth) which causes signals to be reflected back to earth when they strike the ionosphere.

Depending on several factors, including the time of day, the time of year, and the current state of solar activity (determined primarily by "sunspots"), the optimum frequency for reflection over a particular distance will change. Another aspect that can be noted is that, for a particular frequency on which you are operating, the distance over which signals will be propagated will change. Thus, in order to hear stations 12,000 km away over a long period of time on a particular day, you will likely have to change your operating frequency (consistent with the broadcast station schedules!) in order to take advantage of changing propagation conditions.



As a general rule, daytime propagation conditions will be best on frequencies from about 12-14 MHz and higher. Propagation at night will generally be best on the 2-15 MHz bands. These general rules often have exceptions, of course; during periods of high solar activity, the 21 MHz band may, for example, be excellent for long-distance propagation well into the night. However, it would be highly unusual for the bands below about 8 MHz to support transoceanic propagation throughout the daytime period.

When reading broadcast station schedules, one must consider not only the time of day at one's own location, but also the time of day at the transmitter location. Let us examine the example of two broadcast stations, one in Tokyo and one in Moscow, both operating on 6 MHz at 6:00 PM local time (for our example, let us say that you live in New York City, USA). Because there are nighttime conditions across most, if not all, of the North Atlantic path that a signal would follow on its way from Moscow to New York, one would normally have a good chance of receiving the broadcast from Moscow. However, the path from Tokyo to New York is largely a daylight path, and our rule of thumb discussed earlier would tell us that it would be difficult, if not impossible, to hear Tokyo at that time on that frequency.

However, if one reads further down the schedule for Tokyo, a broadcast on 15 MHz at the same time may be found. The 15 MHz region (± 5 MHz) is a middle ground which often supports round-the-clock propagation. You would have a much better chance of hearing Tokyo on 15 MHz, because the path is largely over daylight.

Broadcast station managers are well aware of this phenomenon, and this is the reason why their schedules indicate "North American Service" or "Programming Beamed at Southeast Asia." They take propagation conditions into consideration, and aim their antennas carefully, so as to have the best chance of reaching their target area at a time when people will be at home to listen.

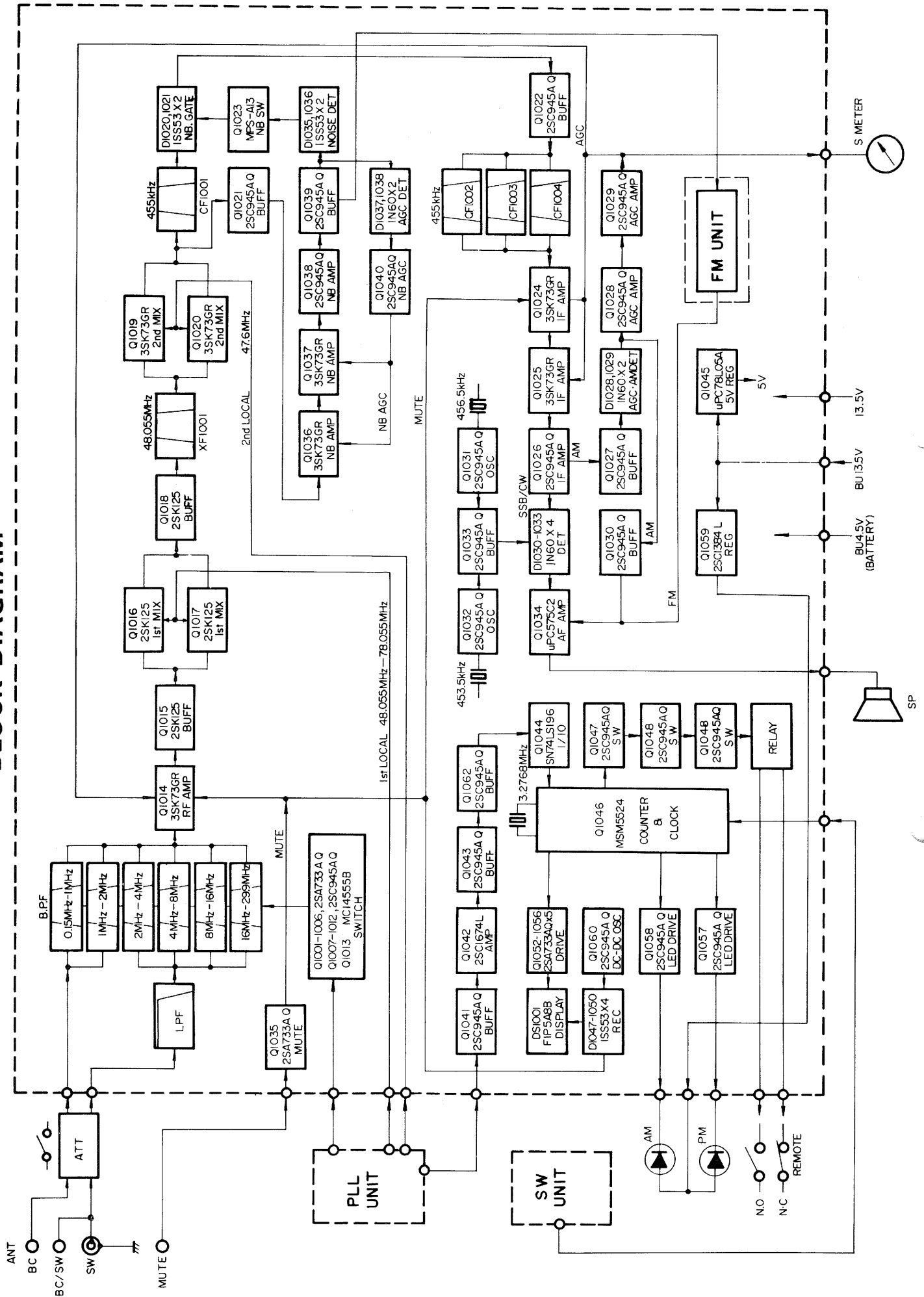
The time of year is important for several reasons. For example, at 4:00 PM in New York in June, the sun is still high in the sky. But at 4:00 PM in December, twilight is fast approaching, and nighttime conditions are taking over on the North Atlantic path. Broadcast station managers adjust their schedules so as to use the lower frequencies (below 10 MHz) more heavily in the winter months, because of the increased distance covered by darkness during the winter.

Signals do not always follow the shortest distance from point A to point B (called the "Great Circle" path). They sometimes follow a bent path, or one exactly the opposite of the great circle. This is why it is sometimes possible to hear Tokyo from New York on 7 MHz late in the afternoon in the winter, even though the Great Circle path is in daylight; the signals are traveling along a darkness path around the world. The fact that many stations are louder, and that the transmitting antenna may not be beamed on the optimum path at that time, makes reception extremely difficult. But this is the excitement of shortwave listening—hearing the unexpected. Under tough conditions such as this, the AM-N (narrow bandwidth) position of the mode switch will prove itself to be a highly useful feature.

To conclude our discussion on propagation conditions, we would stress the following general rules. First, use the higher frequencies (15 MHz and up) as your main daylight bands. Secondly, use the low frequencies (below 15 MHz) as your prime nighttime bands. Thirdly, look for peaks in propagation when there is sunrise or sunset at one end or another of a propagation path. For example, look for a peak in 26 MHz propagation towards the East for the hour or so after your sunrise, and toward the West around your sunset.

Careful planning of your operating times, proper choice of listening frequencies, and diligent study of schedules from overseas broadcast stations will pay rich dividends in entries in your log book. We hope that this section will have helped you understand the fascinating world of shortwave radio propagation better.

BLOCK DIAGRAM



CIRCUIT DESCRIPTION

Reference to the block diagram and the following circuit description will provide you with a better understanding of the design of this receiver. The FRG-7700 is a superheterodyne receiver using up-conversion to a first IF (Intermediate Frequency) of 48 MHz. Synthesized local oscillators are used for both the first and second mixers, providing a high degree of frequency stability.

RECEIVER SIGNAL FLOW

The RF (Radio Frequency) signal from the antenna is fed through the defeatable RF attenuator to the MAIN Unit. The signal is passed through a low-pass filter ($f_c = 30$ MHz), consisting of L_{1001} , C_{1001} , C_{1002} , and then through bandpass filters for the following ranges: 150 kHz – 1 MHz, 1 – 2 MHz, 2 – 4 MHz, 4 – 8 MHz, 8 – 16 MHz, and 16 – 30 MHz. Selection of the filter to be used is provided by diode switches $D_{1001} - D_{1012}$ (1SS53), which are driven by Q_{1013} (MC14555), $Q_{1001} - Q_{1006}$ (2SA733), and $Q_{1007} - Q_{1012}$ (2SA945A-Q), according to the setting of the band switch.

The signal is then amplified by RF amplifier Q_{1014} (3SK73GR), a dual-gate MOS FET with superior linearity and low noise figure. The amplified signal is then fed through buffer Q_{1015} (2SK125) to the first mixer Q_{1016} , Q_{1017} (2SK125) where the RF signal is mixed with the first local oscillator signal (48.055 – 78.055 MHz) delivered from the PLL Unit, resulting in a 48.055 MHz first IF. This up-conversion technique provides superior image rejection characteristics when compared with conventional designs.

The first IF signal is amplified by Q_{1018} (2SK125) and fed through crystal filter XF_{1001} , which has a 20 kHz bandwidth at –6 dB, providing protection from in-band intermodulation distortion while allowing sufficient bandwidth for effective noise blanking. The signal is then delivered to the second mixer Q_{1019} , Q_{1020} (3SK73GR) where the 48.055 MHz first IF signal is mixed with a 47.6 MHz local oscillator signal from the PLL Unit, producing a 455 kHz second IF signal.

The 455 kHz signal is passed through a ceramic filter, CF_{1001} (20 kHz/–6 dB) and noise blanker gate diodes D_{1020}/D_{1021} (1SS53) to the main IF filters: CF_{1002} (SSB/AM-N), CF_{1003} (AM-M), and

CF_{1004} (AM-W), with filter selection made via the mode switch. The filtered IF signal is then delivered to the main IF amplifier chain, consisting of Q_{1024} , Q_{1025} (3SK73GR), and Q_{1026} (2SC945A-Q).

In the SSB and CW modes, the IF signal is coupled to the product detector, a diode ring demodulator consisting of $D_{1030} - D_{1033}$ (1N60), which converts the IF signal into audio using the carrier signal delivered from Q_{1033} (2SC945A-Q). The audio signal is fed to the audio amplifier, Q_{1034} (μ PC575C2), which delivers 1.5 watts of audio power to the speaker.

In the AM mode, the IF signal is coupled from Q_{1026} via C_{125} to buffer amplifier Q_{1027} (2SC945A-Q). The signal is then detected at D_{1028}/D_{1029} (1N60), and the resulting audio signal is fed to the audio amplifier via buffer amplifier Q_{1030} (2SC945A-Q).

NOISE BLANKER CIRCUIT

A portion of the output from the second mixer is fed through buffer Q_{1021} (2SC945A-Q) to amplifiers Q_{1036} , Q_{1037} (3SK73GR) and Q_{1038} , Q_{1039} (2SC945A-Q). When a carrier or noise-free modulated signal is received, the IF signal is rectified by D_{1037} and D_{1038} (1N60), producing a DC voltage. The DC voltage is amplified by Q_{1040} (2SC945A-Q) and fed to gate 2 of Q_{1036} and Q_{1037} , controlling the gain of those stages.

When pulse noise is received, D_{1035} and D_{1036} (1SS53) rectify the IF signal, producing a DC voltage which controls the noise blanker switching diodes (D_{1020}/D_{1021}). Noise pulses have a very short duration, but extremely high amplitude. Because of the very slow time constant of the AGC circuit feeding back to Q_{1036} and Q_{1037} , these short duration pulses will not induce AGC action, and those stages will operate at full gain. When a pulse is received, however, Q_{1023} biases D_{1020} and D_{1021} to block the signal path momentarily.

When a noise pulse and a desired signal are received simultaneously, the blanking action is not impaired, because the relative amplitude difference between the desired signal and the noise pulse is high.

AGC CIRCUIT

A portion of the output from the AM detector is fed to DC amplifiers Q_{1028} and Q_{1029} (2SC945A-Q). This amplified DC voltage is applied to gate 2 of the RF and IF amplifiers, controlling the gain of those stages.

MUTE CIRCUIT

Q_{1035} is normally in the "ON" state, providing normal bias voltage to gate 1 of Q_{1014} and Q_{1024} . When the MUTE terminal is shorted to ground, Q_{1035} turns off, removing the bias voltage from the above transistors, thus silencing the receiver.

CLOCK AND DIGITAL DISPLAY CIRCUIT

A Large Scale Integration (LSI) chip, Q_{1046} (MSM5524), controls both the display of the operating frequency and the time. An 0.455 – 30.455 MHz signal from the PLL Unit is amplified by Q_{1041} (2SC945A-Q), Q_{1042} (2SC1674L), Q_{1043} (2SC945A-Q), then fed through divider (1/10) Q_{1044} (SN74LS196) to the LSI chip. The output from Q_{1046} is fed to the fluorescent display tube, (DS1001), through segment drivers Q_{1052} – Q_{1056} (2SA733A-Q). Q_{1060} and Q_{1061} (2SC945A-Q) act as a DC-DC converter, providing –25 volts DC for the display tube.

The timer control output from the LSI activates relay RL_{1001} , which controls the receiver main power supply ON/OFF function. RL_{1001} also is connected to the REMOTE terminals on the rear panel of the receiver, for control of peripheral station equipment.

PLL CIRCUIT

The first and second local signals (48.055 – 78.055 MHz and 47.6 MHz, respectively) are generated by the dual-loop PLL (Phase Locked Loop) circuit.

A 44.055 – 45.055 MHz signal is generated by VCO (Voltage Controlled Oscillator) Q_{2028} (2SC945A-Q) in PLL Loop 1. This signal fed through buffer Q_{2029} (2SC945A-Q) to mixer Q_{2030} (SN16913P), where the VCO signal is mixed with a 47.6 MHz signal generated by crystal

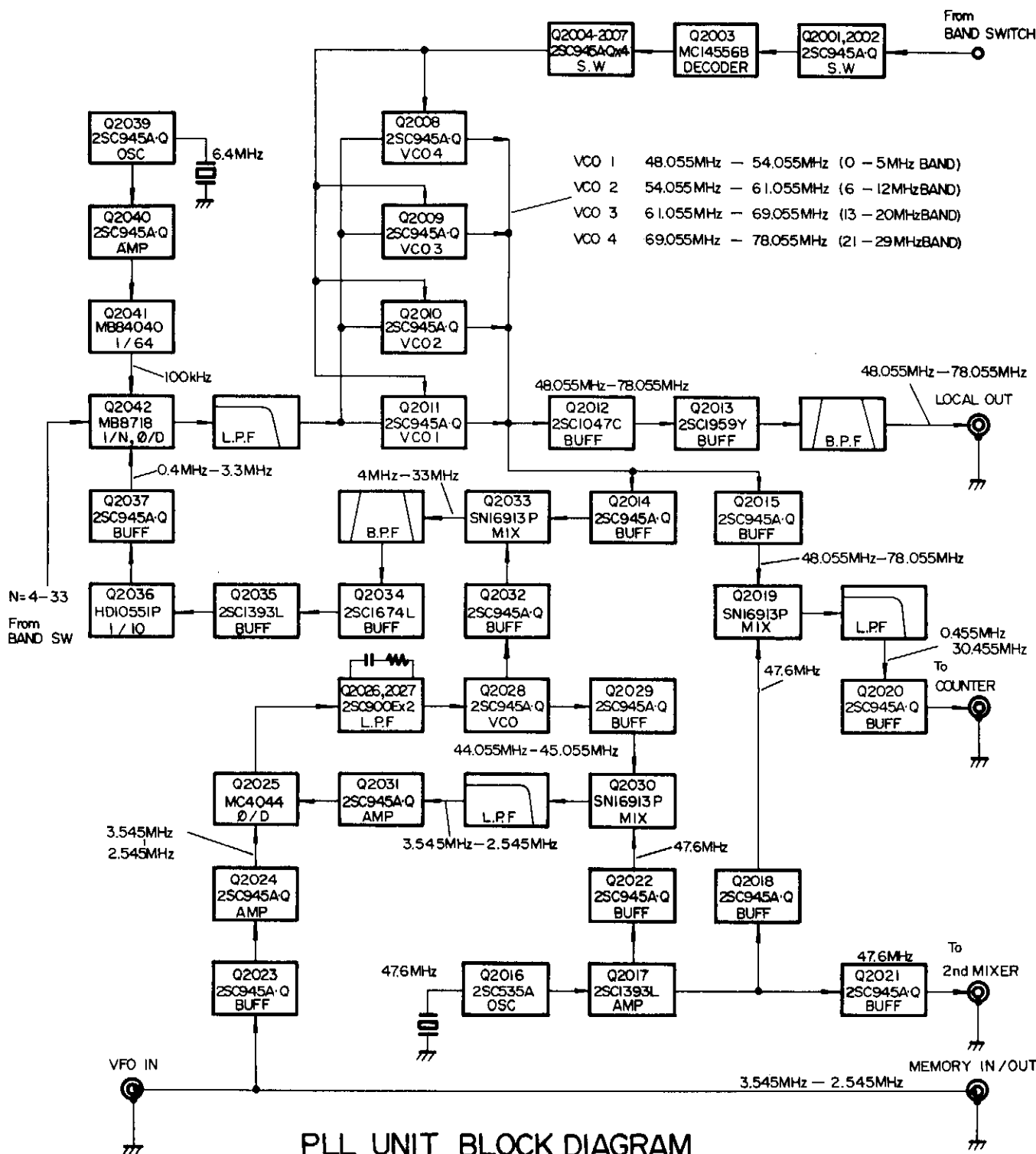
oscillator Q_{2016} (2SC535A), producing a 3.545 – 2.545 MHz signal which is fed to phase detector Q_{2025} (MC4044P). The phase detector compares the phase of the input signal with that of the VFO signal delivered via Q_{1023} , Q_{2024} (2SC945A-Q); any phase difference is converted to a DC control voltage, which is fed to varactor diodes in the VCO circuit, in order to correct the phase difference and lock the input signal with the VFO signal.

In PLL Loop 2, there are four VCO circuits Q_{2008} – Q_{2011} (2SC945A-Q) which are selected by the band-switch, with the net result being an output signal of 48.055 – 78.055 MHz. This signal is fed to mixer Q_{2033} (SN16913P), where the input signal is mixed with the 44.055 – 45.055 MHz signal delivered from PLL Loop 1, producing a 4 – 33 MHz signal. This signal is fed through divider (1/10) Q_{2036} (HD10551P) to phase detector Q_{2042} (MB8718), which also contains a programmable divider.

Phase detector Q_{2042} compares the phase of the signal from the onboard programmable divider and that of the 100 kHz reference signal generated by Q_{2039} , Q_{2040} (2SC945A-Q), and Q_{2041} (MB84040), producing an error-correcting DC voltage. The dividing ratio of the programmable divider is selected by the bandswitch. The error-correction voltage is fed to varactor diodes in VCO/1 – VCO/4, thus locking a highly stable 48.055 – 78.055 MHz signal, which will be used as the first local signal. The VCO output is fed through buffers Q_{2012} (2SC1047C) and Q_{2013} (2SC1959Y) prior to delivery to the first mixer.

The second local signal (47.6 MHz) is generated by Q_{2016} , then amplified by Q_{2017} (2SC1393L) and fed through buffer Q_{2021} (2SC945A-Q) prior to delivery to the second mixer.

A portion of the first local signal is fed to mixer Q_{2019} (SN16913P), where the signal is mixed with the 47.6 MHz second local signal, producing a signal at 0.455 – 30.455 MHz which is fed to the LSI chip in the counter for display of the operating frequency.



MAINTENANCE AND ALIGNMENT

GENERAL

The FRG-7700 has been carefully aligned and tested at the factory prior to shipment. With normal usage, it should not require other than the usual attention given to electronic equipment. Service or replacement of a major component may entail substantial realignment; under no circumstances, however, should realignment be attempted unless the operation of the receiver is fully understood, and the malfunction has been definitely traced to misalignment rather than component failure. Service work should be performed only by experienced personnel using the proper test equipment.

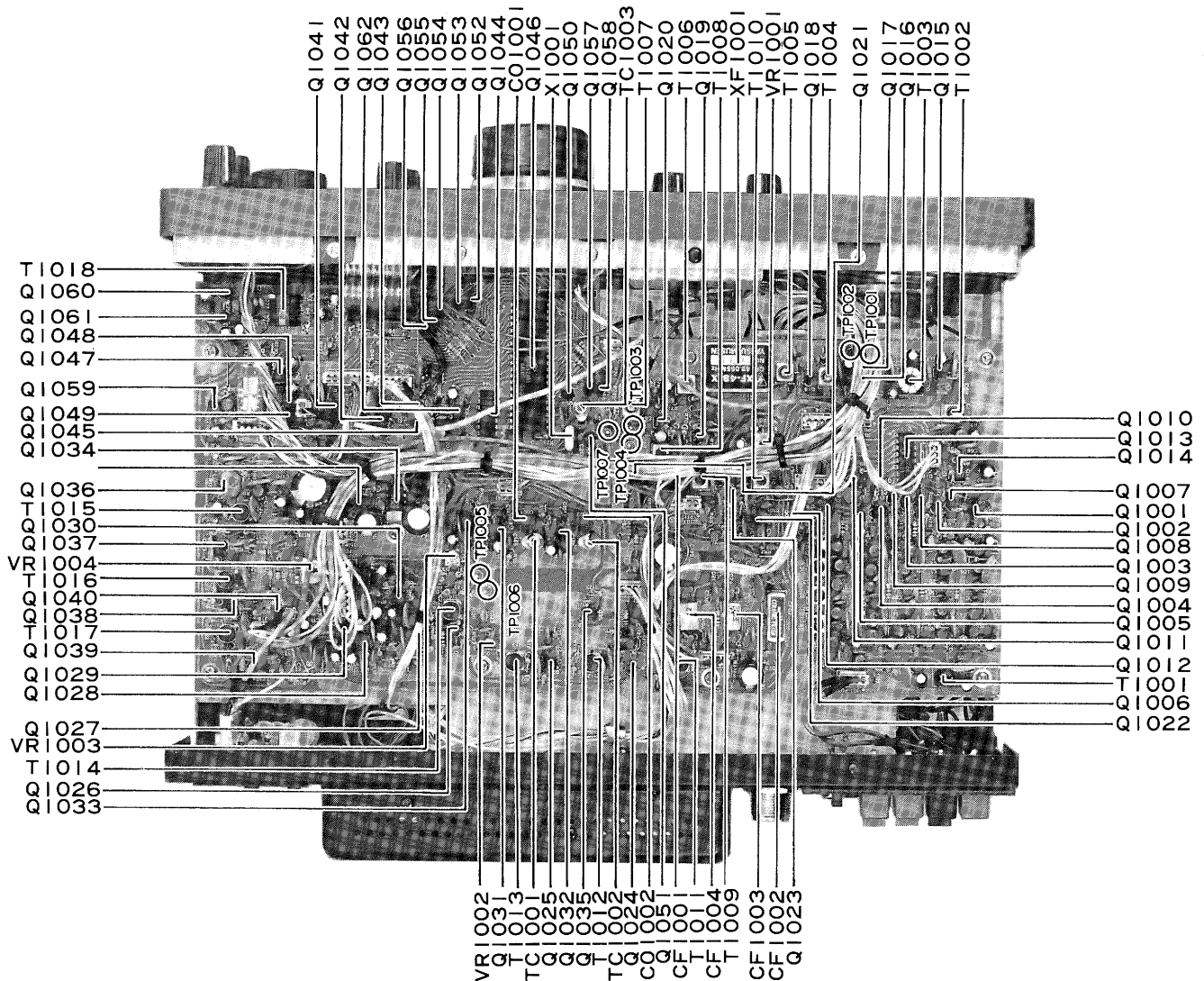
MAIN UNIT

(1) Counter Clock Frequency Adjustment

Connect a frequency counter to TP₁₀₀₇. Adjust TC₁₀₀₃ for a reading of 3.2768 MHz on the counter.

(2) SSB Carrier Frequency Adjustment

- Connect a frequency counter to TP₁₀₀₅, and set the MODE switch to the USB position. Adjust TC₁₀₀₂ for a reading of 456.5 kHz on the counter.
- Set the MODE switch to the LSB/CW position. Adjust TC₁₀₀₁ for a reading of 453.5 kHz on the counter.



TOP VIEW

(3) First and Second IF Adjustment

Set the MODE switch to LSB/CW, the ATT switch to DX, and rotate the ATT control fully counter-clockwise. Connect a signal generator to the antenna jack, J₁, and set its frequency to 8.01 MHz. Tune the receiver to 8.01 MHz, set the signal generator output to a level sufficient to obtain deflection of the S-meter, and adjust T₁₀₀₄ – T₁₀₀₈ and T₁₀₁₁ – T₁₀₁₄ for maximum S-meter reading.

(4) S-Meter Sensitivity and Full Scale Adjustment

- a. Preset the controls, switches, and dial frequency as in step 3. Set the signal generator output level to 8 dB (ref: 0 dB = 1μV). Adjust VR₁₀₀₂ so that the S-meter just begins to move off the left-hand peg on its scale.
- b. Set the signal generator output level to 90 dB.

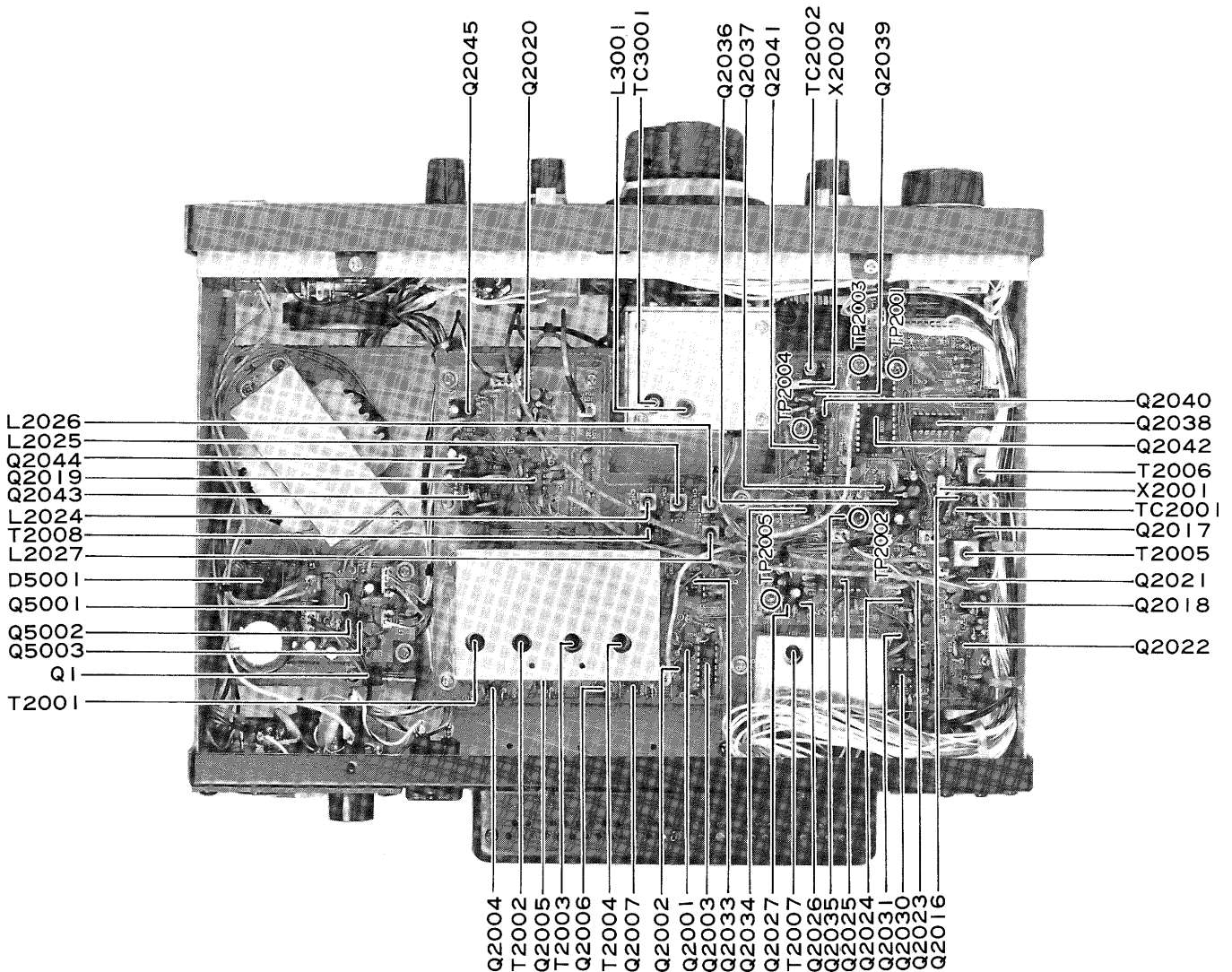
Adjust VR₁₀₀₄ for a full scale reading on the S-meter.

(5) NB Adjustment

- a. Connect a VTVM to the source of Q₁₀₃₇, and a signal generator to antenna jack J₁. Set the signal generator output level to 20 dB, output frequency to 8.01 MHz, and adjust T₁₀₁₅ – T₁₀₁₇ for a minimum reading on the VTVM.
- b. Connect a noise generator to antenna jack J₁, and press the NB switch. Adjust VR₁₀₀₁ for a minimum noise level from the speaker.

(6) Trap Adjustment

Connect a signal generator to antenna jack J₁, and set its frequency to the first IF frequency, 48.055 MHz. Set the signal generator output level to a level sufficient to obtain deflection on the S-meter, then T₁₀₀₂ for a minimum reading on the S-meter.



BOTTOM VIEW

PLL UNIT

(1) PLL Reference Oscillator Adjustment

Set the MR switch to off, and connect a frequency counter to pin 9 of Q₂₀₄₁. Adjust TC₂₀₀₂ for a reading of exactly 3.2 MHz on the counter.

(2) PLL Local Alignment

- a. Connect the RF probe of a VTVM to pin 1 of J₂₀₀₅. Adjust T₂₀₀₅ and T₂₀₀₆ for a maximum meter reading on the VTVM (typical value: 100-200 mV RMS).
- b. Connect a frequency counter to pin 1 of J₂₀₀₅. Adjust TC₂₀₀₁ for a reading of exactly 47.6 MHz on the counter.

(3) VCV Line Adjustment

- a. Connect the DC probe of a VTVM to TP₂₀₀₅ (PLL Unit), and rotate the main dial to the "1000" position on the analog dial. Adjust T₂₀₀₇ to secure a reading of 7 volts on the VTVM.
- b. Rotate the main dial to the "0" position on the analog dial. Make certain that the voltage is within the range of 1.5 – 2.0 volts.
- c. Connect the VTVM DC probe to TP₂₀₀₃, and rotate the main dial to the "1000" position.

Set the BAND switch to the 5 MHz band, and adjust T₂₀₀₄ to obtain a reading of 7.4 volts on the VTVM.

- d. Change the BAND switch to the 12, 20, and 29 MHz band positions, and adjust VCO coils T₂₀₀₃, T₂₀₀₂, T₂₀₀₁, respectively, to obtain readings of 7.4 volts on the VTVM.
- e. Set the BAND switch to the 21, 13 and 0 MHz band positions, and rotate the main dial to the "0" position on the analog dial. Make certain that the voltages at TP₂₀₀₃ are within the range of 1.5 – 2.0 volts.

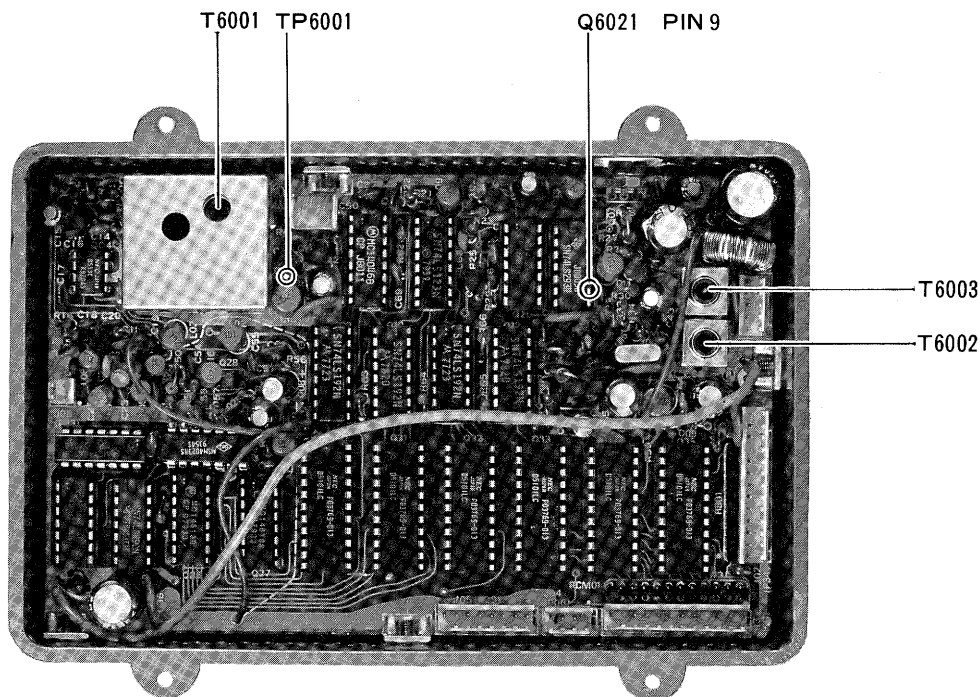
MEMORY UNIT

(1) M FINE Adjustment

Set the M FINE control to the 12 o'clock position, and connect a frequency counter to pin 9 of Q₆₀₂₁. Adjust T₆₀₀₃ for a reading of 8.192 MHz on the counter.

(2) VCV Line Adjustment

Initially set the MR switch in the OFF position, and connect a VTVM to TP₆₀₀₁. Rotate the main dial to the "0" position on the analog skirt, and push the M button. Then press the MR button, and adjust T₆₀₀₁ to obtain a reading of 6.6 volts on the VTVM.



MEMORY UNIT

PARTS LIST

| MAIN CHASSIS | | | | | | PLUG | |
|--------------|-----------|--------------------------------|--------------|---|-----------|---------------------------------|-------------------|
| Symbol No. | Part No. | Description | | | | | |
| | F0002174 | Printed Circuit Board | | P3,4,9-11,18,19, 21,26,32,33,35, 37,38,40 | P1090187 | PI051-02F | |
| | | TRANSISTOR | | P2,14,22,39 | P1090188 | PI051-03F | |
| Q1 | G3402880K | 2SD288K | | P1,5,6,12,20,25 | P1090153 | PI051-04F | |
| | | | | P7,8,13,15,16 | P1090154 | PI051-05F | |
| | | DIODE | | P17,24 | P1090156 | PI051-07F | |
| D1 | G2090147 | LED | TLG208 | P23,27-29 | P1090157 | PI051-08F | |
| D2 | G2090151 | | TLY208 | P30,31 | P1090161 | PI051-12F | |
| | | | | P34 | P1090162 | PI051-13F | |
| | | RESISTOR | | | P2000018 | BATTERY SOCKET S1(006P) | |
| R3 | J01245470 | Carbon film | 1/4W TJ 47Ω | | Q9000096 | BATTERY CASE C4 | |
| R1 | J01245680 | " " | " " 68Ω | | | | |
| R4 | J02245102 | " " | " SJ 1kΩ | | | | |
| R5 | J02245103 | " " | " " 10kΩ | | | | |
| R2 | J02245223 | " " | " " 22kΩ | | | | |
| | | POTENTIOMETER | | | | | |
| VR1 | J62800049 | DM10A638A-10kΩ-10kA | | | | TRANSISTOR, FET & IC | |
| VR2 | J60800071 | VM10A610E-10kΩ | | Q1001-1006,1035, 1052-1056 | G3107331Q | TR | 2SA733A-Q |
| VR3 | J62800050 | DM10A638A-10kΩx2 | | | | " | 2SC945A-Q |
| | | CAPACITOR | | Q1007-1012,1021, 1022,1026-1033, 1038-1041,1043, 1047-1051,1057, 1058,1060-1062 | G3309451Q | " | 2SC945A-Q |
| C1,2 | K12329002 | ECKDAL472PE 150VAC 0.0047μF | | | | " | 2SC1384R |
| C3,4 | K13170473 | DB207YF473Z5L5 | 50WV 0.047μF | Q1059 | G3313840R | " | 2SC1674L |
| C5 | K40170105 | 50RL | " 1μF | Q1042 | G3316740L | " | MPS-A13 |
| C6 | K40140475 | 25RL4R7 | 25WV 4.7μF | Q1023 | G3090005 | " | 25K125 |
| | | POWER TRANSFORMER | | Q1015-1018 | G3801250 | FET | " |
| PT1 | L3030085 | | | Q1014,1019,1020, 1024,1025,1036, 1037 | | " | |
| | | | | Q1034 | G1090073 | IC | μPC575C2 |
| | | METER | | Q1045 | G1090084 | " | μPC78L05A |
| M1 | M0290021 | AP-170 | | Q1044 | G1090033 | " | SN74LS196 |
| | | | | Q1046 | G1090310 | " | MSM5524 |
| | | SPEAKER | | Q1013 | G1090309 | " | MC14555BCP |
| SP1 | M4090044 | SE92BYM-2 | 8Ω 2W | | | | |
| | | LAMP | | | | DIODE | |
| PL1 | Q1000045 | 12V 150mA | K0298-4-0 | D1001-1027,1035, 1036,1041-1044, 1047-1052, 1054-1056 | G2090027 | Si | 1SS53 |
| | | SWITCH | | | | | |
| S1 | N4090037 | SUF-12 | POWER | D1034 | G2090001 | Si | 10D1 |
| S2 | N4090038 | SUF-24 | AGC/NB | D1028-1033, 1037-1040,1057 | G2090029 | Ge | 1N60 |
| S3 | N0190076 | SRN-2046N | MODE | | | Zener | RD5.6EB-2 |
| S4 | N0190074 | SRN-1025N | DISP | D1045 | G2090156 | Zener | RD7.5EB-1 |
| S5 | N0190075 | SRN-202CN | MEM.CH | D1053 | G2090154 | Zener | RD10EB-1 |
| | | | | D1046 | G2090153 | Zener | |
| | | RECEPTACLE | | | | | |
| J1 | P1090028 | MBR-06D | | | | FLUORESCENT TUBE | |
| J2 | P1090004 | SG-7814 | | DS1001 | G6090020 | FIP5A8B | |
| J3 | P1090201 | UK-0002 | | | | | |
| J9 | P0090094 | PA-125 | | | | | |
| | | | | X1001 | H0102336 | CRYSTAL | HC-18/U 3.2768MHz |
| | | TERMINAL BOARD | | | | | |
| | Q9000089 | TERMINAL BOARD ASS'Y | | | | CERAMIC OSCILLATOR | |
| J5a,b,c | P1090205 | UG-0015 #2 (RED) | | CO1001 | H7900090 | CSB453.5A2 453.5kHz | |
| J5d | P1090211 | UG-0015 #1 (Black) | | CO1002 | H7900100 | CSB456.5A2 456.5kHz | |
| J7 | P1090201 | UK-0002 | | | | | |
| J8 | P1090206 | UC-0007-02 | | | | CRYSTAL FILTER | |
| S6 | N6090020 | OS-22-09S | | XF1001 | H1102023 | XF-48JX | 48.055MHz |
| S7 | N0190077 | JR-1002-06 | | | | CERAMIC FILTER | |
| FH1 | P2000019 | FH-032-C | | CF1001 | H3900230 | CFU455C2 | |

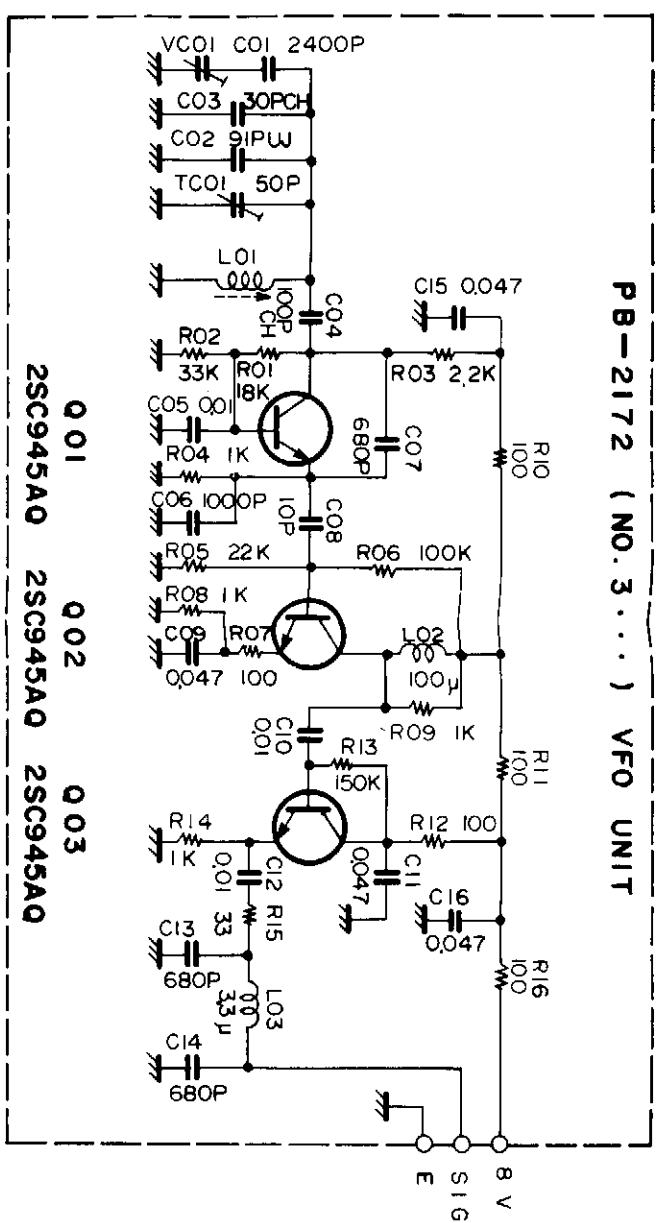
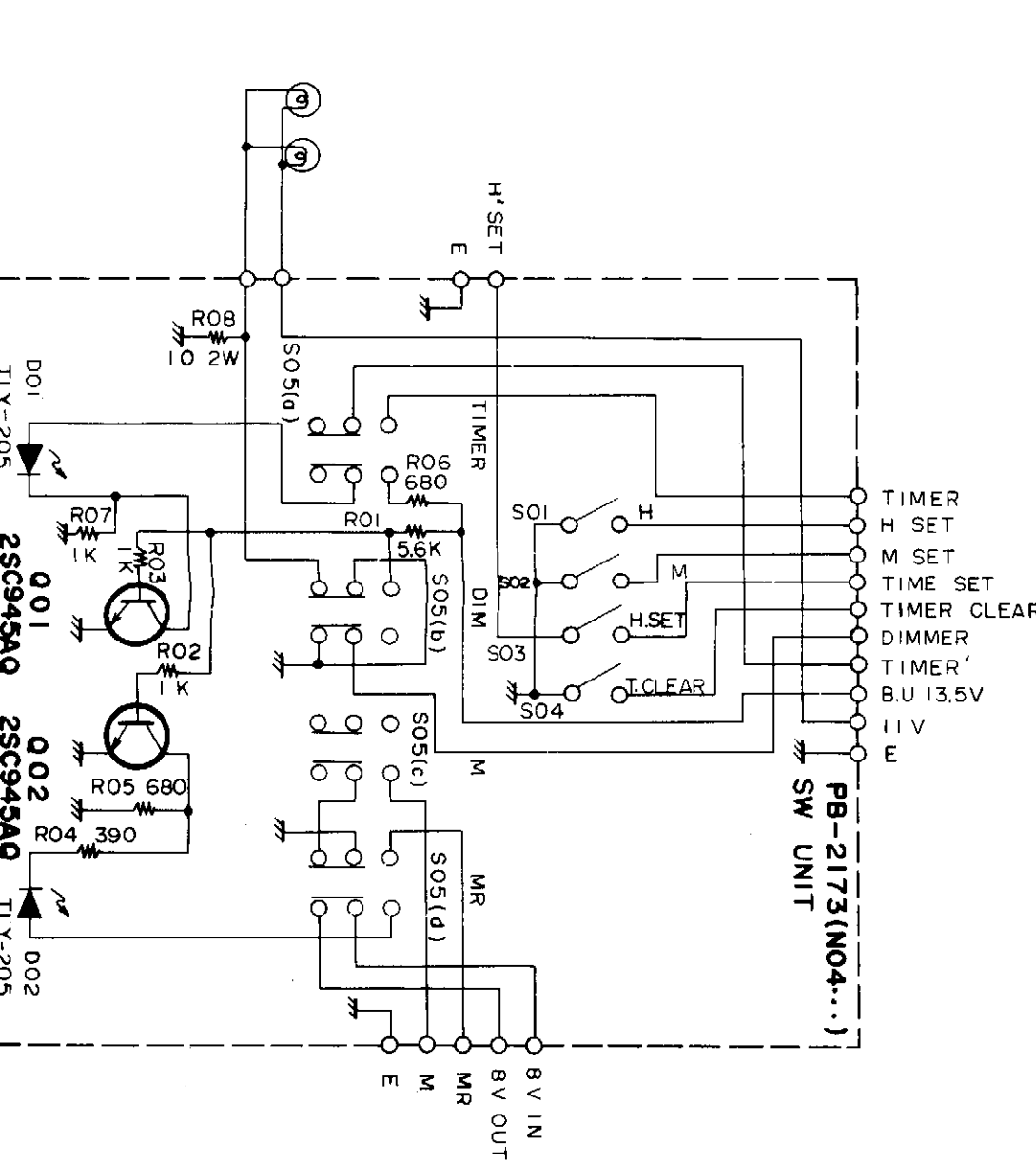
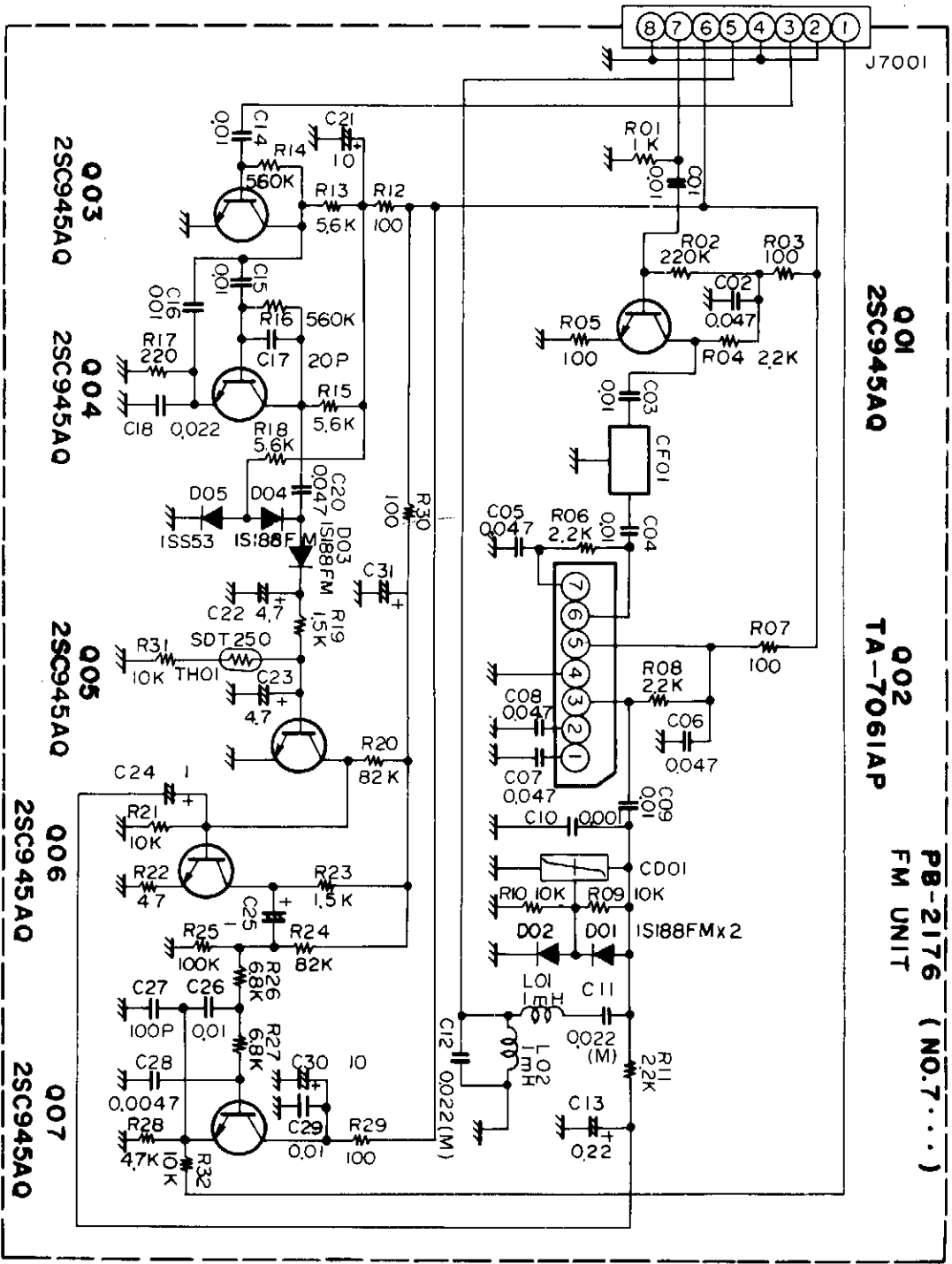
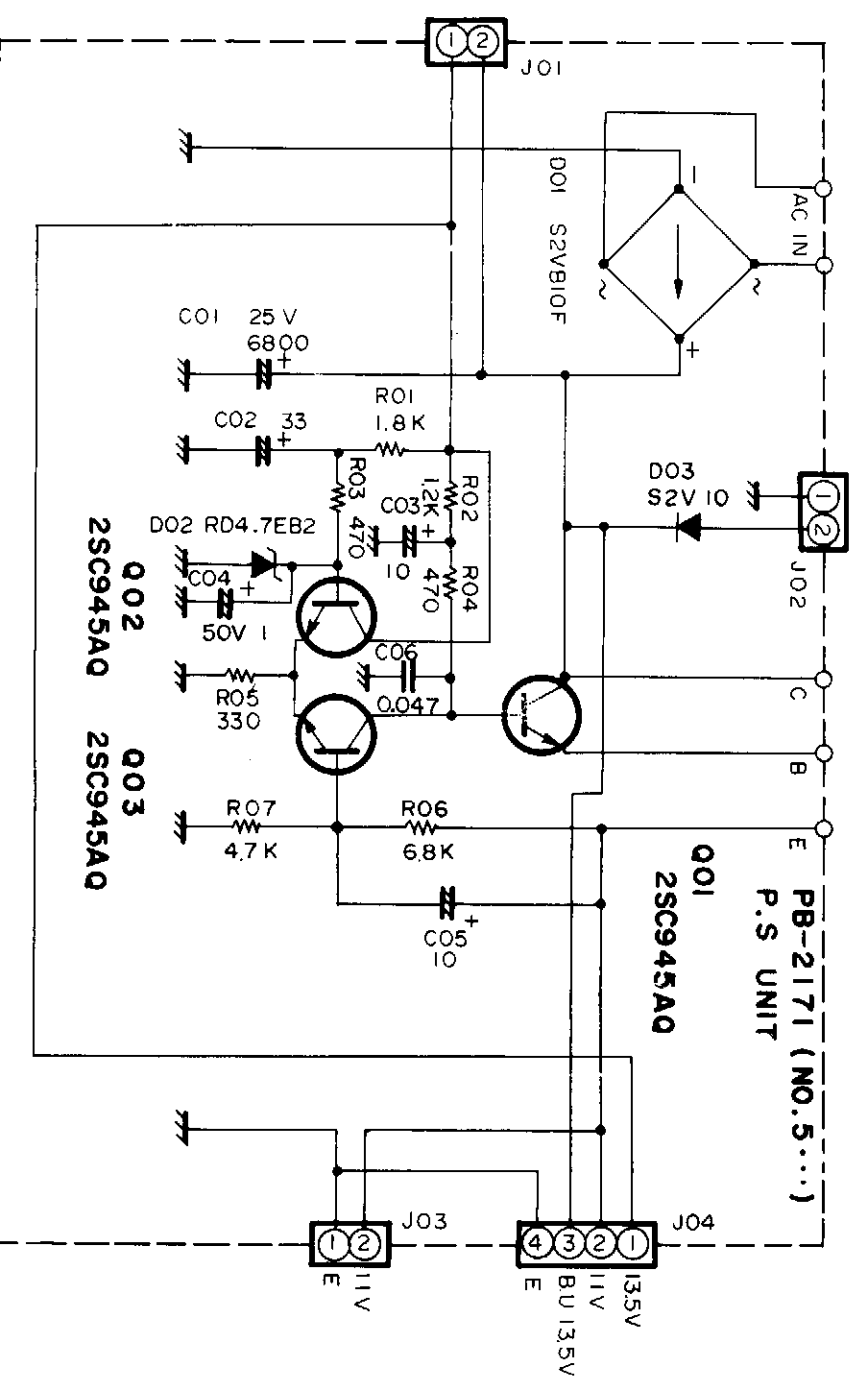
| | | | | | |
|--|-----------|------------------------------------|--|-----------|---|
| J1003,1006,1007,1013,1014,1018 | P0090120 | CONNECTOR PI051-02M | R2048,2050,2053,2055,2061,2063,2067,2070,2072,2075,2076,2080,2081,2088,2098,2102,2107,2108,2114,2115,2120,2130,2135,2140,2145-2147 | J02245101 | Carbon film 1/4W SJ 100Ω |
| J1002,1010,1015,1020 | P0090121 | PI051-03M | | | |
| J1001,1004,1008 | P0090132 | PI051-04M | | | |
| J1005,1009,1011 | P0090133 | PI051-05M | | | |
| J1012,1017 | P0090135 | PI051-07M | R2077 | J02245151 | " " " " 150Ω |
| J1016 | P0090136 | PI051-08M | R2117 | J02245181 | " " " " 180Ω |
| J1019 | P1090196 | FJ-10-001 | R2062, 2124 | J02245221 | " " " " 220Ω |
| | | | R2089,2142,2144 | J02245331 | " " " " 330Ω |
| | Q5000011 | Wrapping Terminal C | R2041,2049,2054,2066,2071,2082,2095,2109,2116 | J02245391 | " " " " 390Ω |
| | | | | | |
| | | | R2013,2020,2027,2034,2104,2136 | J02245471 | " " " " 470Ω |
| | | | | | |
| | | | R2094,2122 | J02245561 | " " " " 560Ω |
| PLL UNIT | | | R2015,2022,2029,2036,2037,2039,2058,2110,2119,2126,2131,2132 | J02245102 | " " " " 1kΩ |
| Symbol No. | Part No. | Description | | | |
| PB-2170A | F0002170A | Printed Circuit Board | | | |
| | C0021700 | P.C.B with Components | | | |
| | | | R2091,2137 | J02245152 | " " " " 1.5kΩ |
| | | TRANSISTOR, IC | R2005-2008,2038,2073,2096,2118,2125,2134 | J02245222 | " " " " 2.2kΩ |
| Q2004-2007 | G3107331Q | TR 2SA733A-Q | | | |
| Q2016 | G3305351 | " 2SC535A | | | |
| Q2026,2027 | G3309000E | " 2SC900E | R2138,2148,2149 | J02245272 | " " " " 2.7kΩ |
| Q2001,2002,2008-2011,2014,2015,2018,2020-2024,2028,2029,2031,2032,2037,2039,2040 | G3309451Q | " 2SC945A-Q | R2057,2060,2092,2093,2097 | J02245472 | " " " " 4.7kΩ |
| | | | R2011,2018,2025,2032,2046,2069,2079,2103,2105,2112,2129 | J02245103 | " " " " 10kΩ |
| Q2012 | G3310473 | " 2SC1047C | | | |
| Q2044,2045 | G3313840R | " 2SC1384R | R2012,2019,2026,2033,2047,2056,2059,2068,2078,2101,2106,2113,2128 | J02245223 | " " " " 22kΩ |
| Q2017,2035 | G3313930L | " 2SC1393L | | | |
| Q2034 | G3316740L | " 2SC1674L | | | |
| Q2013 | G3319590Y | " 2SC1959Y | | | |
| Q2043 | G3408820Q | " 2SD882Q | R2002,2004,2086,2087 | J02245473 | " " " " 47kΩ |
| Q2042 | G1090153 | IC MB8718 | | | |
| Q2041 | G1090311 | " MB84040B | R2074 | J02245683 | " " " " 68kΩ |
| Q2036 | G1090296 | " HD10551 | | | |
| Q2025 | G1090087 | " MC4044P | R2001,2003,2009,2010,2016,2017,2023,2024,2030,2031,2051,2065,2090,2099,2100,2111,2133 | J02245104 | " " " " 100kΩ |
| Q2038 | G1090312 | " MC14504BCP | | | |
| Q2003 | G1090128 | " MC14556BCP | | | |
| Q2019,2030,2033 | G1090012 | " SN16913P | | | |
| | | | R2127 | J02245154 | " " " " 150kΩ |
| | | DIODE | | | |
| D2001-2020 | G2090027 | Si 1SS53 | | | |
| D2021-2025 | G2090043 | Varactor MV-104 | RB2001 | J40900017 | BLOCK RESISTOR RA1/16-6R1MΩ 1/16W 1MΩx6 |
| D2027,2028 | G2090156 | Zener RD5.6EB2 | | | |
| D2026 | G2090155 | Zener RD9.1EB2 | | | |
| | | | C2048,2062 | K00179001 | CAPACITOR DD104SL0R5C50V02 50WV SL 0.5pF |
| | | CRYSTAL | | | |
| X2001 | H0102337 | HC-18/U 47.6MHz | C2085,2111,2127 | K00172010 | DD104SL010C50V02 " " 1pF |
| X2002 | H0102338 | " 6.4MHz | | | |
| | | | C2148 | K00172020 | DD104SL020C50V02 " " 2pF |
| | | RESISTOR | | | |
| R2139 | J10276479 | Carbon composition 1/2W TJ 4.7Ω | C2034,2045 | K00172030 | D104SL030C50V02 " " 3pF |
| R2123,2141,2143 | J02245100 | Carbon film 1/4W SJ 10Ω | | | |
| R2083-2085 | J02245150 | " " " " 15Ω | C2070,2073,2081,2112,2139 | K00172050 | DD104SL050C50V02 " " 5pF |
| R2040,2043 | J02245330 | " " " " 33Ω | | | |
| R2044 | J02245560 | " " " " 56Ω | C2010,2017,2168 | K06172050 | DD104UI050C50V02 " UI 5pF |
| R2121 | J02245820 | " " " " 82Ω | | | |
| R2014,2021,2028,2035,2042,2045 | J02245101 | " " " " 100Ω | C2049,2086 | K00173060 | DD104SL060D50V02 " SL 6pF |

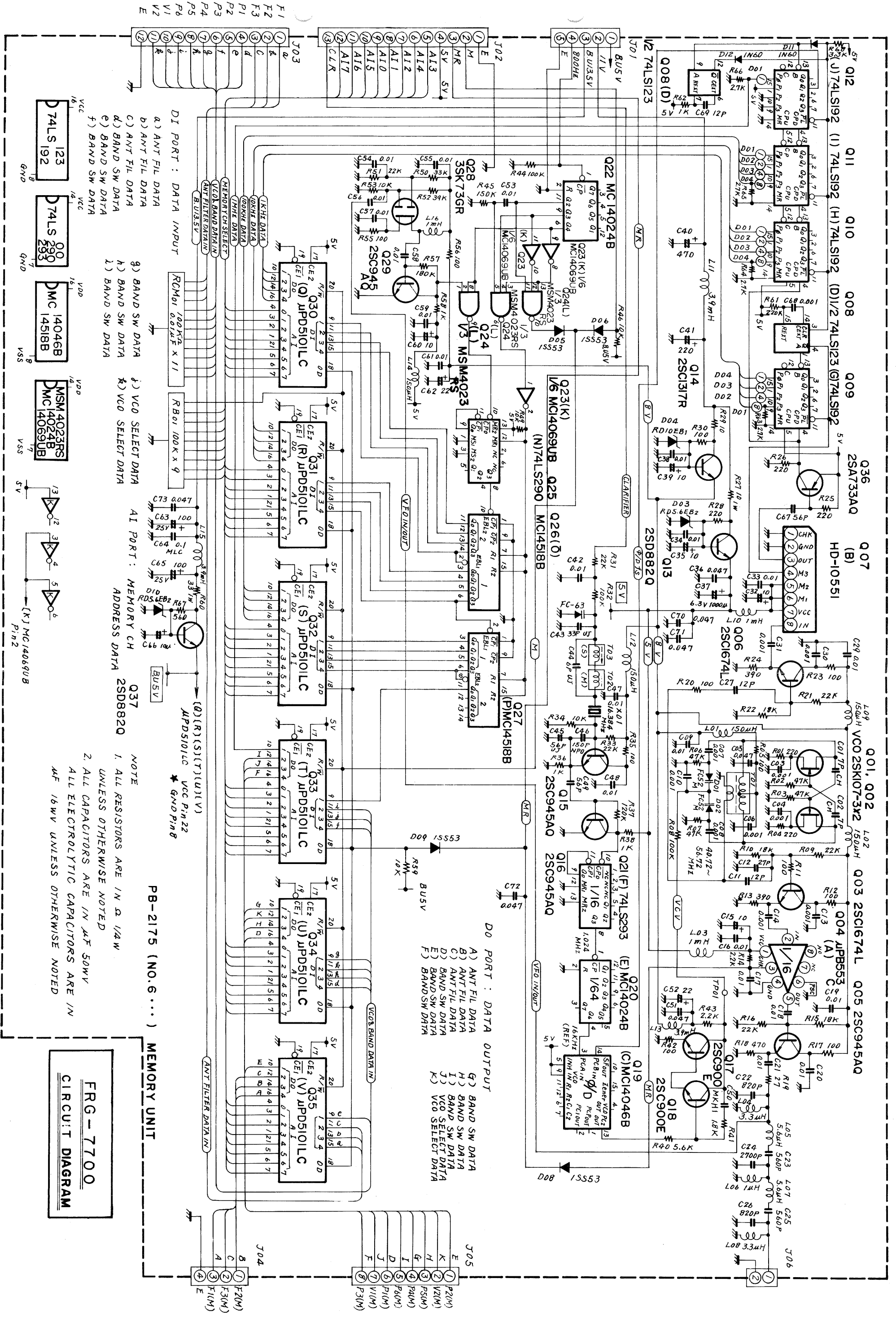
| | | | | | | |
|--|-----------|---------------------------------|---|-----------|--------------------------------|------------|
| C2108 | K06173060 | DD104UJ060D50V02 50WV UJ 6pF | C2163,2166,2167, 2173,2177,2178, 2182,2184,2186, 2188-2192 | K13170473 | DB207YF473Z5L5 50WV 0.047μF | |
| C2142 | K00173080 | DD104SL080D50V02 " SL 8pF | | | | |
| C2043,2044,2063, 2071,2072 | K00173100 | DD104SL100D50V02 " SL 10pF | C2101,2102,2183, 2185,2187 | K40170105 | 50RL1 | " 1μF. |
| C2008,2015,2022, 2028,2105,2106 | K06173100 | DD104UJ100D50V02 " UJ 10pF | C2180 | K40140475 | 25RL4R7 | 25WV 4.7μF |
| C2146 | K00175120 | DD104SL120J50V02 " SL 12pF | C2103,2110,2159, 2162,2179 | K40129004 | 16RE10 | 16WV 10μF |
| C2033,2128,2141 | K00175150 | DD104SL150J50V02 " " 15pF | C2012,2019,2025, 2031 | K40109002 | 10RE47 | 10WV 47μF |
| C2144 | K00175180 | DD104SL180J50V02 " " 18pF | | | TRIMMER CAPACITOR | |
| C2040,2042,2055, 2058,2082,2149, 2175 | K00175220 | DD104SL220J50V02 " " 22pF | TC2001,2002 | K91000029 | ECV1ZW20x53 | 20pF |
| | | | | | INDUCTOR | |
| C2169 | K02179009 | DD104CH220J50V02 " CH 22pF | L2002,2003,2005 | L1190113 | FL-3H R22M | 0.22μH |
| C2054 | K06175220 | DD104UJ220J50V02 " UJ 22pF | L2001,2004 | L1190011 | FL-4H R47M | 0.47μH |
| C2039,2041,2145 | K00175270 | DD104SL270J50V02 " SL 27pF | L2037 | L1190013 | FL-4H R68M | 0.68μH |
| C2143 | K00179007 | DD104SL300J50V02 " " 30pF | L2010-2012 | L1190009 | FL-4H 3R3M | 3.3μH |
| C2009,2016,2023, 2029,2107 | K06175330 | DD104UJ330J50V02 " UJ 33pF | L2031 | L1190014 | FL-5H 100K | 10μH |
| C2147 | K00179008 | DD104SL360J50V02 " SL 36pF | L2028,2029 | L1190025 | FL-5H 330K | 33μH |
| C2077,2078 | K02179014 | DD106CH360J50V02 " CH36pF | L2021,2022 | L1190027 | FL-5H 390K | 39μH |
| | K06175390 | DD104UJ390J50V02 " UJ 39pF | L2006,2007,2015 | L1190029 | FL-5H 470K | 47μH |
| C2007,2014,2021, 2027 | K06175470 | DD104UJ470J50V02 " " 47pF | L2008,2009,2014, 2016,2020,2023, 2030,2033,2035 | L1190020 | FL-5H 151K | 150μH |
| C2119,2121 | K00179510 | DD104SL510J50V02 " SL 51pF | L2013,2017-2019, 2032,2034,2036 | L1190017 | FL-5H 102K | 1mH |
| C2120 | K00175101 | DD105SL101J50V02 " " 100pF | L2024,2026 | L0020882 | | L.P.F |
| C2170,2171 | K02175151 | DD109CH151J50V02 " CH 150pF | L2025 | L0020871 | | L.P.F |
| C2133 | K30176271 | Z17D271K05 " 270pF | L2027 | L0020873 | | L.P.F |
| C2150 | K10176391 | DD104YB391K50V02 " 390pF | | | TRANSFORMER | |
| C2061,2156 | K12171102 | DD105E102P50V02 " 0.001μF | T2001 | L0020869 | | |
| C2001,2011,2013, 2018,2020,2024, 2026,2030,2032, 2035-2038,2046, 2047,2050-2053, 2056,2059, 2064-2069, 2074-2076,2080, 2083,2084, 2081-2091, 2093-2096,2098, 2100,2109, 2113-2118,2124, 2125,2129,2131, 2132,2134, 2136-2138,2140, 2152,2153,2155, 2158,2160,2164, 2165,2172,2174, 2176,2181,2193 | K13170103 | DB201YF103Z5L5 " 0.01μF | T2002 | L0020868 | | |
| | | | T2003 | L0020867 | | |
| | | | T2004 | L0020866 | | |
| | | | T2005 | L0020110 | R12-4797 | |
| | | | T2006 | L0020127 | R12-4094A | |
| | | | T2007 | L0020862 | | |
| | | | T2008 | L0020209 | | |
| | | | | | SWITCH | |
| | | | S2001 | N0190072 | CB-1.2-40 | |
| | | | | | CONNECTOR | |
| | | | J2004-2006,2008, 2009 | P0090120 | PI051-02M | |
| | | | J2007 | P0090121 | PI051-03M | |
| | | | J2010 | P0090132 | PI051-04M | |
| | | | J2001 | P0090133 | PI051-05M | |
| | | | J2002 | P0090136 | PI051-08M | |
| | | | J2003 | P0090140 | PI051-12M | |
| | | | | | | |
| | | | | Q5000011 | Wrapping terminal C | |
| | | | | | | |
| | | | | | | |
| | | | | | | |
| C2002-2006,2057, 2060,2079,2092, 2097,2099,2104, 2126,2130,2135, 2154,2157,2161 | K13170473 | DB207YF473Z5L5 0.047μF | | | | |

| FM UNIT | | | | | INDUCTOR | |
|---|-----------|----------------------------------|----------------------|-----------|--|-----|
| Symbol No. | Part No. | Description | L7001,7002 | L1190017 | FL5H 102K | 1mH |
| PB-2176 | F0002176 | Printed Circuit Board | | | | |
| | C0021760 | P.C.B with Components | | | | |
| | | | J7001 | P0090167 | PI011-08M | 8P |
| | | TRANSISTOR & IC | | | | |
| Q7001,7003-7007 | G3309451Q | TR 2SC945A-Q | | | | |
| Q7002 | G1090059 | IC TA-7061AP | | | | |
| | | DIODE | | | | |
| D7001-7004 | G2001880F | Ge 1S188FM | | | | |
| D7005 | G2090027 | Si 1SS53 | | | | |
| | | | VFO UNIT | | | |
| | | | Symbol No. | Part No. | Description | |
| | | | PB-2172 | F0002172 | Printed Circuit Board | |
| | | | | C0021720 | P.C.B with Components | |
| | | THERMISTOR | | | | |
| TH7001 | G9090001 | SDT-250 | | | | |
| | | | | | TRANSISTOR | |
| | | CERAMIC FILTER | Q3001-3003 | G3309451Q | 2SC945A-Q | |
| CF7001 | H3900030 | LFB-15 | | | | |
| | | | | | RESISTOR | |
| | | CERAMIC DISCRIMINATOR | R3015 | J02245330 | Carbon film 1/4W SJ 33Ω | |
| CD7001 | H7900010 | 455D | R3007,3010-3012,3016 | J02245101 | " " " " 100Ω | |
| | | | | | | |
| | | RESISTOR | R3004,3008,3009,3014 | J02245102 | " " " " 1kΩ | |
| R7022 | J02245470 | Carbon film 1/4W SJ 47Ω | | | | |
| R7003,7005,7007,7012,7029,7030 | J02245101 | " " " " 100Ω | R3003 | J02245222 | " " " " 2.2kΩ | |
| | | | R3001 | J02245183 | " " " " 18kΩ | |
| R7017 | J02245221 | " " " " 220Ω | R3005 | J02245223 | " " " " 22kΩ | |
| R7001 | J02245102 | " " " " 1kΩ | R3002 | J02245333 | " " " " 33kΩ | |
| R7019,7023 | J02245152 | " " " " 1.5kΩ | R3006 | J02245104 | " " " " 100kΩ | |
| R7004,7006,7008,7011 | J02245222 | " " " " 2.2kΩ | R3013 | J02245154 | " " " " 150kΩ | |
| | | | | | | |
| R7028 | J02245472 | " " " " 4.7kΩ | | | CAPACITOR | |
| R7013,7015,7018 | J02245562 | " " " " 5.6kΩ | C3008 | K02173100 | DD104CH100D50V02 50WV CH10pF | |
| R7026,7027 | J02245682 | " " " " 6.8kΩ | | | | |
| R7009,7010,7021,7031,7032 | J02245103 | " " " " 10kΩ | C3003 | K06179009 | DD105UJ560J50V02 " " 56pF | |
| R7020,7024 | J02245823 | " " " " 82kΩ | C3004 | K02175101 | DD107CH101J50V02 " " 100pF | |
| R7025 | J02245104 | " " " " 100kΩ | | | | |
| R7002 | J02245224 | " " " " 220kΩ | C3002 | K02179019 | DD107CH910J50V02 " CH 91pF | |
| R7014,7016 | J02245564 | " " " " 560kΩ | C3007 | K30176681 | LCQ18681K05 " 680pF | |
| | | | C3013,3014 | K10176681 | DD104B681K50V02 " 680pF | |
| | | CAPACITOR | | | | |
| C7017 | K00179005 | DD104SL200J50V02 50WV SL 20pF | C3006 | K30209001 | DM19D102K1 100WV 1000pF | |
| C7027 | K00175101 | DD105SL101J50V02 " " 100pF | C3001 | K30209006 | DM19D242K1 " 2400pF | |
| C7010,7016 | K12171102 | DD105E102P50V02 " 0.001μF | C3005,3010,3012 | K13170103 | DB201YF103Z5L5 50WV 0.01μF | |
| C7028 | K13170472 | DB201YF472Z5L5 " 0.0047μF | C3009,3011,3015,3016 | K13170473 | DB207YF473Z5L5 " 0.047μF | |
| C7001,7003,7004,7009,7014,7015,7019,7026,7029 | K13170103 | DB201YF103Z5L5 " 0.01μF | | | | |
| | | | VC3001 | K90000034 | VARIABLE CAPACITOR C-613A132 | |
| C7018 | K13170223 | DD109F223Z50V02 " 0.022μF | | | | |
| | | | | | TRIMMER CAPACITOR | |
| C7011,7012 | K50177223 | 50F2U223M " 0.022μF | TC3001 | K91000013 | ECV-1ZW20x32 50pF | |
| C7002,7005-7008,7020 | K13170473 | DB207YF473Z5L5 " 0.047μF | | | INDUCTOR | |
| | | | L3001 | L0020062 | R12-5775 | |
| C7013 | K70167224 | CS15E1VR22M 35WV 0.22μF | L3003 | L1190009 | FL4H 3R3M 3.3μH | |
| | | | L3002 | L1190016 | FL5H 101K 100μH | |
| C7024,7025 | K40170105 | 50RL1 50WV 1μF | | | LAMP | |
| C7022,7023 | K40140475 | 25RL4.7 25WV 4.7μF | PL3001 | Q1000043A | K0298-4-0 12V, 100mA | |
| C7021,7030,7031 | K40120106 | 16RL10 16WV 10μF | | | | |
| | | | | | TERMINAL | |
| | | | | Q5000020 | MS-60121 | |

| SWITCH UNIT | | | MEMORY UNIT (OPTION) | | |
|--------------------------|-----------|--------------------------------|---|-----------|---------------------------------|
| Symbol No. | Part No. | Description | Symbol No. | Part No. | Description |
| PB-2173 | F0002173 | Printed Circuit Board | PB-2175A | F0002175A | Printed Circuit Board |
| | C0021730 | P.C.B with Components | | C0021750 | P.C.B with Components |
| | | TRANSISTOR | | | TRANSISTOR, FET & IC |
| Q4001,4002 | G3309451Q | 2SC945A-Q | Q6036 | G3107331Q | TR 2SA733A-Q |
| | | | Q6017,6018 | G3309000E | " 2SC900E |
| | | DIODE | Q6005,6015,6016,6029 | G3309451Q | " 2SC945A-Q |
| D4001,4002 | G2090134 | LED TLY-205 | Q6014 | G3313170R | " 2SC1317R |
| | | | Q6003,6006 | G3316740L | " 2SC1674L |
| | | RESISTOR | Q6013,6037 | G3408820Q | " 2SD882Q |
| R4008 | J20336100 | Metallic film 2W 10Ω | Q6001,6002 | G3801070C | FET 2SK107-3 |
| R4004 | J01245391 | Carbon film 1/4W TJ 390Ω | Q6028 | G4800730G | " 3SK73GR |
| R4005,4006 | J01245681 | " " " " 680Ω | Q6004 | G1090313 | IC μPB553C |
| R4002,4003,4007 | J01245102 | " " " " 1kΩ | Q6030-6035 | G1090227 | " μPD5101LC |
| R4001 | J01245562 | " " " " 5.6kΩ | Q6007 | G1090296 | " HD10551 |
| | | | Q6008 | G1090100 | " SN74LS123 |
| | | SWITCH | Q6009-6012 | G1090019 | " SN74LS192 |
| S4001-4004 | N5090003 | KEF-10901 | Q6025 | G1090317 | " SN74LS290 |
| S4005 | N4090039 | SUT-42A | Q6021 | G1090315 | " SN74LS293 |
| | T9203650 | FLAT CABLE | Q6020,6022 | G1090165 | " MC14024BCP |
| | | | Q6019 | G1090314 | " MC14046BCP |
| | | | Q6023 | G1090126 | " MC14069UBCP |
| | | | Q6026,6027 | G1090108 | " MC14518BCP |
| | | | Q6024 | G1090316 | " MSM4023RS |
| | | | | | |
| POWER SUPPLY UNIT | | | | | DIODE |
| Symbol No. | Part No. | Description | D6001,6002 | G2090073 | Varactor FC-52M |
| PB-2171A | F0002171A | Printed Circuit Board | D6007 | G2090040 | Varactor FC-63 |
| | C0021710 | P.C.B with Components | D6003,6010 | G2090156 | Zener RD5.6EB2 |
| | | | D6004 | G2090153 | Zener RD10EB1 |
| | | TRANSISTOR | D6005,6006,6008,6009 | G2090027 | Si 1SS53 |
| Q5001-5003 | G3309451Q | 2SC945A-Q | D6011,6012 | G2090029 | Ge 1N60 |
| | | | | | CRYSTAL |
| D5001 | G2090157 | Si S2VB10F | X6001 | H0102339 | HC-18/U, 3P 16.384MHz |
| D5002 | G2090158 | Zener RD4.7EB2 | | | RESISTOR |
| D5003 | G2090159 | Si S2V10 | R6027 | J20306100 | Metallic film 1W 10Ω |
| | | | R6029 | J02245100 | Carbon film 1/4W SJ 10Ω |
| | | RESISTOR | R6019 | J02245270 | " " " " 27Ω |
| R5005 | J02245331 | Carbon film 1/4W SJ 330Ω | R6060 | J20306330 | Metallic film 1W 33Ω |
| R5003,5004 | J02245471 | " " " " 470Ω | R6005,6011,6012,6017,6020,6023,6030,6035,6042,6055,6056 | J02245100 | Carbon film 1/4W SJ 100Ω |
| R5002 | J02245122 | " " " " 1.2kΩ | | | |
| R5001 | J02245182 | " " " " 1.8kΩ | R6001,6004,6025,6026,6028 | J02245221 | " " " " 220Ω |
| R5007 | J02245472 | " " " " 4.7kΩ | | | |
| R5006 | J02245682 | " " " " 6.8kΩ | R6013,6024 | J02245391 | " " " " 390Ω |
| | | | R6018 | J02245471 | " " " " 470Ω |
| | | CAPACITOR | R6067 | J02245561 | " " " " 560Ω |
| C5006 | K13170473 | DB207YF473Z5L5 50WV 0.047μF | R6036,6038,6058,6062 | J02245102 | " " " " 1kΩ |
| C5004 | K40170105 | 50RL1 " 1μF | R6041 | J02245182 | " " " " 1.8kΩ |
| C5003,5005 | K40120106 | 16RL10 16WV 10μF | R6014,6043 | J02245222 | " " " " 2.2kΩ |
| C5002 | K40120336 | 16RL33 " 33μF | R6063-6066 | J02245272 | " " " " 2.7kΩ |
| C5001 | K40149013 | RPE-25V682M 25WV 6800μF | R6068 | J10246332 | " composition " GK 3.3kΩ |
| | | | R6040 | J02245562 | " film " SJ 5.6kΩ |
| | | CONNECTOR | R6034,6046,6049,6053,6059 | J02245103 | " " " " 10kΩ |
| J5001-5003 | P0090120 | PI051-02M | R6010,6015,6022 | J02245183 | " " " " 18kΩ |
| J5004 | P0090132 | PI051-04M | R6009,6016,6021,6031,6033,6051 | J02245223 | " " " " 22kΩ |
| | Q5000011 | Wrapping terminal C | | | |
| | | | R6050 | J02245333 | " " " " 33kΩ |

| | | | | | | |
|---|-----------|--|---------------------------|-----------|---|---------------------|
| R6052 | J02245393 | Carbon film 1/4W SJ 39k Ω | | | INDUCTOR | |
| R6002,6003,6006,6007 | J02245473 | " " " " 47k Ω | L6006 | L1190005 | FL4H IR0M | 1 μ H |
| R6008,6032,6044 | J02245104 | " " " " 100k Ω | L6004,6008 | L1190009 | FL4H 3R3M | 3.3 μ H |
| R6037 | J02245124 | " " " " 120k Ω | L6005,6007 | L1190111 | FL4H 5R6K | 5.6 μ H |
| R6045 | J02245154 | " " " " 150k Ω | L6001,6002,6009,6012,6014 | L1190020 | FL5H 151K | 150 μ H |
| R6057 | J02245184 | " " " " 180k Ω | L6003,6010,6016 | L1190017 | FL5H 102K | 1mH |
| R6061 | J02245224 | " " " " 220k Ω | L6011 | L2030067B | S/N COIL | 3mH |
| | | | L6013,6015 | L1190035 | FL7H 392J | 3.9mH |
| | | BLOCK RESISTOR | | | | |
| RB6001 | J40900018 | RA1/16K9R100k Ω 1/16W 100k Ω x9 | | | TRANSFORMER | |
| | | | T6001 | L0020110 | | R12-4797A |
| | | | T6002 | L0020864 | | VCO COIL |
| | | CAPACITOR | T6003 | L0020865 | | " |
| C6044 | K06173060 | DD104UJ060D50V02 50WV UJ 6pF | | | CONNECTOR | |
| C6001,6002 | K02173070 | DD104CH070D50V02 " CH 7pF | J6006 | P0090120 | PI051-02M | 2P |
| C6011,6027,6069 | K00175120 | DD104SL120J50V02 " SL 12pF | J6004 | P0090132 | PI051-04M | 4P |
| C6012 | K00175270 | DD104SL270J50V02 " " 27pF | J6001 | P0090133 | PI051-05M | 5P |
| C6043 | K06175330 | DD104UJ330J50V02 " UJ 33pF | J6005 | P0090136 | PI051-08M | 8P |
| C6067 | K00175560 | D104SL560J50V02 " SL 56pF | J6003 | P0090140 | PI051-12M | 12P |
| C6049 | K02175560 | DD106CH560J50V02 " CH 56pF | J6002 | P0090141 | PI051-13M | 13P |
| C6045 | K06179009 | DD105UJ560J50V02 " UJ 56pF | | Q5000011 | | Wrapping terminal C |
| C6046 | K02175151 | DD109CH151J50V02 " " 150pF | ACCESSORIES | | | |
| C6023,6025 | K10176561 | DD104B561K50V02 " 560pF | Symbol No. | Part No. | Description | |
| C6022,6026 | K10176821 | DD104B821K50V02 " 820pF | | Q3000004A | Wire Antenna | |
| C6003,6004,6006,6007,6008,6010,6013,6014,6030,6031,6068 | K12171102 | DD105E102P50V02 " 0.001 μ F | | R3054620 | FOOT | H-30 |
| C6024 | K10179022 | 2222-660-02272 " 2700 μ F | | Q0000002 | Fuse 1A (AC100-120V) | |
| C6009,6016-6021,6029,6033,6034,6038,6042,6047,6048,6054-6059,6061 | K14179002 | RD204YM0.01 μ F " 0.01 μ F | | Q0000001 | 0.5A (AC200-240V) | |
| C6053 | K50177103 | 50F2U103M " 0.01 μ F | | T9013280 | AC POWER CORD | |
| C6005,6036,6051,6070-6073 | K13170473 | DB207YF473Z5L5 " 0.047 μ F | | T9013280 | 2 wire, 2 prong plug DC-546-007 | |
| C6064 | K23170003 | RPE112F104Z50V " 0.1 μ F | | T9013282 | 3 wire, 3 prong plug (UL) UC-904-016 | |
| C6050 | K54200001 | B32561-A1105J 100WV 1 μ F | | T9013284 | 3 wire, 2 prong EU plug EC-407-007 | |
| C6015,6032,6035,6039,6060,6066 | K40120106 | 16RL10 16WV 10 μ F | | T9013283 | 3 wire, 3 prong Australian plug SC-411-001 | |
| C6052,6062 | K40120226 | 16RL22 16WV 22 μ F | | | | |
| C6063,2065 | K40149003 | 25RE100 25WV 100 μ F | | | | |
| C6041 | K40120227 | 16RL220 16WV 220 μ F | | | | |
| C6040 | K40129031 | 16RC470 " 470 μ F | | | | |
| C6037 | K40089004 | 6.3RE1000 6.3WV 1000 μ F | | | | |
| | | MODULE | | | | |
| RCM6001 | Q80000005 | RK1/16R-11R100k Ω /103Z50 (1/16W 100kx11, 50WV 0.01 μ Fx11) | | | | |





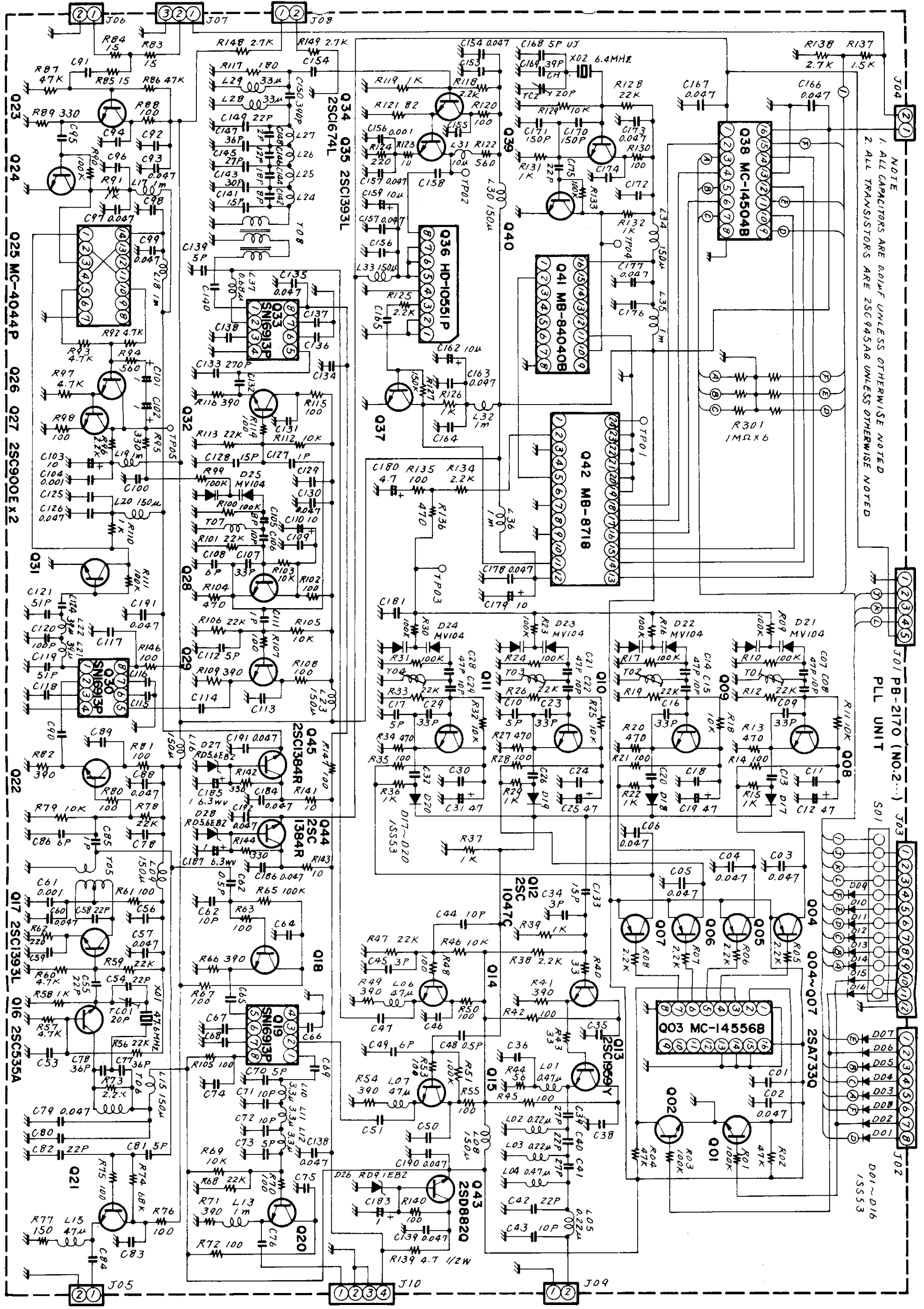
NOTE
 1. ALL RESISTORS ARE IN Ω 1/4W
 UNLESS OTHERWISE NOTED
 2. ALL CAPACITORS ARE IN μF 50WV
 ALL ELECTROLYTIC CAPACITORS ARE IN
 μF 16V UNLESS OTHERWISE NOTED

FRG-7700
 CIRCUIT DIAGRAM

DI PORT : DATA INPUT
 a) ANT FIL DATA
 b) ANT FIL DATA
 c) ANT FIL DATA
 d) ANT FIL DATA
 e) BAND SW DATA
 f) BAND SW DATA

DI PORT : DATA OUTPUT
 g) BAND SW DATA
 h) BAND SW DATA
 i) BAND SW DATA
 j) BAND SW DATA
 k) VCO SELECT DATA

MEMORY UNIT
 ADDRESS DATA 2SD8820
 VCC Pin22
 GND Pin8



NOTE
1. ALL CAPACITORS ARE 0.01UF UNLESS OTHERWISE NOTED
2. ALL TRANSISTORS ARE 2SC945AR UNLESS OTHERWISE NOTED

PLL UNIT

J01 PB-2170 (NO.2...)

J03

J02

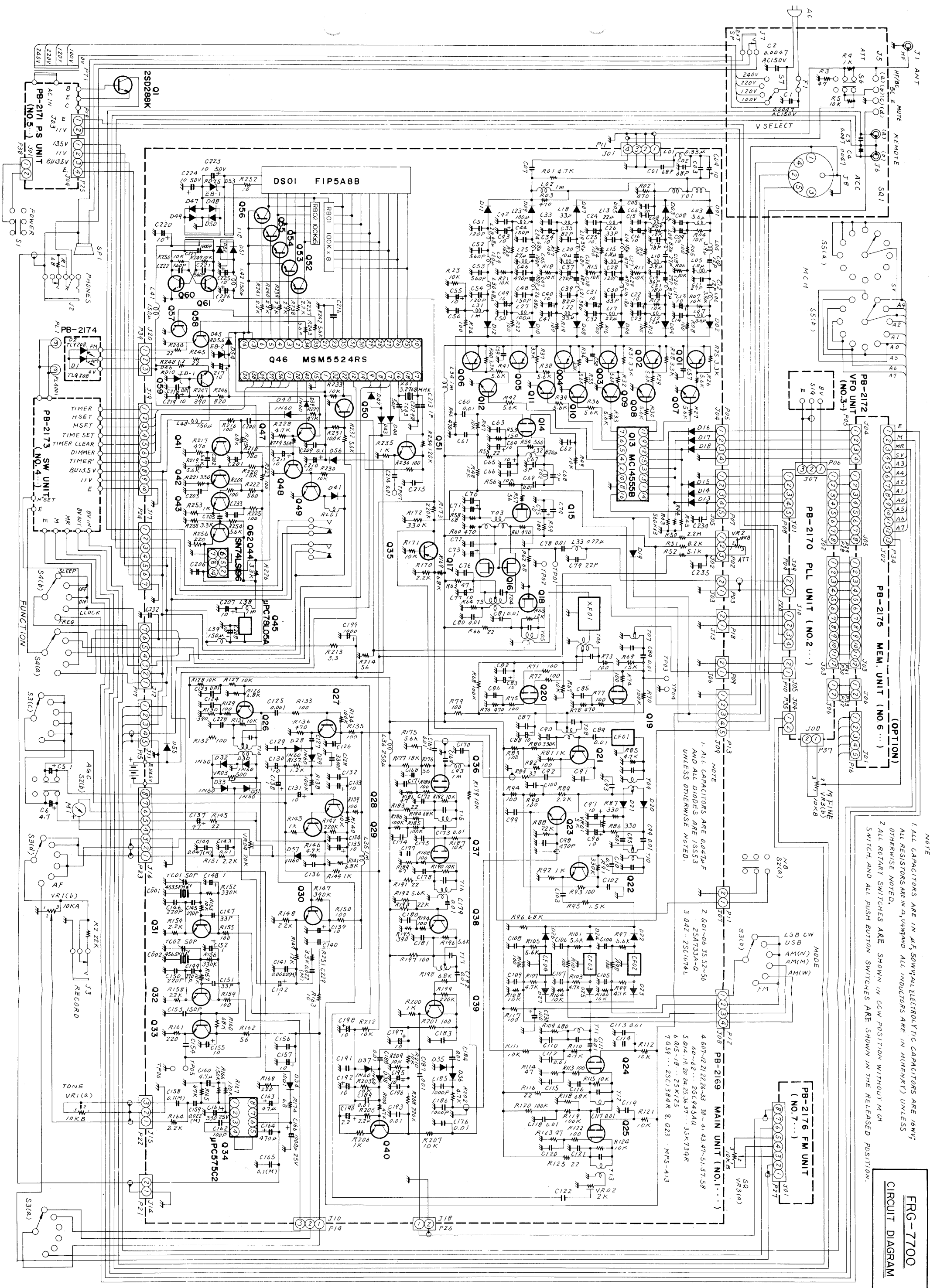
D01~D16
1SS53

Q23
Q24
Q25 MC-4044P
Q26 Q27 2SC900E X2
Q31
Q32
Q33
Q34
Q35 2SC1393L
Q36 HD-1051P
Q37
Q38 MC-14504B
Q39
Q40
Q41 MB-8404B
Q42 MB-8718
Q43
Q44 2SC1384R
Q45 2SC1384R
Q46
Q47
Q48
Q49
Q50
Q51
Q52
Q53
Q54
Q55
Q56
Q57
Q58
Q59
Q60
Q61
Q62
Q63
Q64
Q65
Q66
Q67
Q68
Q69
Q70
Q71
Q72
Q73
Q74
Q75
Q76
Q77
Q78
Q79
Q80
Q81
Q82
Q83
Q84
Q85
Q86
Q87
Q88
Q89
Q90
Q91
Q92
Q93
Q94
Q95
Q96
Q97
Q98
Q99
Q100
Q101
Q102
Q103
Q104
Q105
Q106
Q107
Q108
Q109
Q110
Q111
Q112
Q113
Q114
Q115
Q116
Q117
Q118
Q119
Q120
Q121
Q122
Q123
Q124
Q125
Q126
Q127
Q128
Q129
Q130
Q131
Q132
Q133
Q134
Q135
Q136
Q137
Q138
Q139
Q140
Q141
Q142
Q143
Q144
Q145
Q146
Q147
Q148
Q149
Q150
Q151
Q152
Q153
Q154
Q155
Q156
Q157
Q158
Q159
Q160
Q161
Q162
Q163
Q164
Q165
Q166
Q167
Q168
Q169
Q170
Q171
Q172
Q173
Q174
Q175
Q176
Q177
Q178
Q179
Q180
Q181
Q182
Q183
Q184
Q185
Q186
Q187
Q188
Q189
Q190
Q191
Q192
Q193
Q194
Q195
Q196
Q197
Q198
Q199
Q200

J04
J05
J06
J07
J08
J09

R138 R137
2.7K 1.5K
R136
R135
R134
R133
R132
R131
R130
R129
R128
R127
R126
R125
R124
R123
R122
R121
R120
R119
R118
R117
R116
R115
R114
R113
R112
R111
R110
R109
R108
R107
R106
R105
R104
R103
R102
R101
R100
R99
R98
R97
R96
R95
R94
R93
R92
R91
R90
R89
R88
R87
R86
R85
R84
R83
R82
R81
R80
R79
R78
R77
R76
R75
R74
R73
R72
R71
R70
R69
R68
R67
R66
R65
R64
R63
R62
R61
R60
R59
R58
R57
R56
R55
R54
R53
R52
R51
R50
R49
R48
R47
R46
R45
R44
R43
R42
R41
R40
R39
R38
R37
R36
R35
R34
R33
R32
R31
R30
R29
R28
R27
R26
R25
R24
R23
R22
R21
R20
R19
R18
R17
R16
R15
R14
R13
R12
R11
R10
R9
R8
R7
R6
R5
R4
R3
R2
R1

C167 0.047
C166 0.047
C165 0.047
C164 0.047
C163 0.047
C162 0.047
C161 0.047
C160 0.047
C159 0.047
C158 0.047
C157 0.047
C156 0.047
C155 0.047
C154 0.047
C153 0.047
C152 0.047
C151 0.047
C150 0.047
C149 0.047
C148 0.047
C147 0.047
C146 0.047
C145 0.047
C144 0.047
C143 0.047
C142 0.047
C141 0.047
C140 0.047
C139 0.047
C138 0.047
C137 0.047
C136 0.047
C135 0.047
C134 0.047
C133 0.047
C132 0.047
C131 0.047
C130 0.047
C129 0.047
C128 0.047
C127 0.047
C126 0.047
C125 0.047
C124 0.047
C123 0.047
C122 0.047
C121 0.047
C120 0.047
C119 0.047
C118 0.047
C117 0.047
C116 0.047
C115 0.047
C114 0.047
C113 0.047
C112 0.047
C111 0.047
C110 0.047
C109 0.047
C108 0.047
C107 0.047
C106 0.047
C105 0.047
C104 0.047
C103 0.047
C102 0.047
C101 0.047
C100 0.047
C99 0.047
C98 0.047
C97 0.047
C96 0.047
C95 0.047
C94 0.047
C93 0.047
C92 0.047
C91 0.047
C90 0.047
C89 0.047
C88 0.047
C87 0.047
C86 0.047
C85 0.047
C84 0.047
C83 0.047
C82 0.047
C81 0.047
C80 0.047
C79 0.047
C78 0.047
C77 0.047
C76 0.047
C75 0.047
C74 0.047
C73 0.047
C72 0.047
C71 0.047
C70 0.047
C69 0.047
C68 0.047
C67 0.047
C66 0.047
C65 0.047
C64 0.047
C63 0.047
C62 0.047
C61 0.047
C60 0.047
C59 0.047
C58 0.047
C57 0.047
C56 0.047
C55 0.047
C54 0.047
C53 0.047
C52 0.047
C51 0.047
C50 0.047
C49 0.047
C48 0.047
C47 0.047
C46 0.047
C45 0.047
C44 0.047
C43 0.047
C42 0.047
C41 0.047
C40 0.047
C39 0.047
C38 0.047
C37 0.047
C36 0.047
C35 0.047
C34 0.047
C33 0.047
C32 0.047
C31 0.047
C30 0.047
C29 0.047
C28 0.047
C27 0.047
C26 0.047
C25 0.047
C24 0.047
C23 0.047
C22 0.047
C21 0.047
C20 0.047
C19 0.047
C18 0.047
C17 0.047
C16 0.047
C15 0.047
C14 0.047
C13 0.047
C12 0.047
C11 0.047
C10 0.047
C9 0.047
C8 0.047
C7 0.047
C6 0.047
C5 0.047
C4 0.047
C3 0.047
C2 0.047
C1 0.047



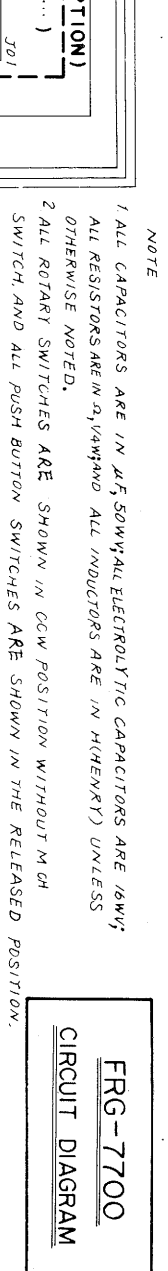
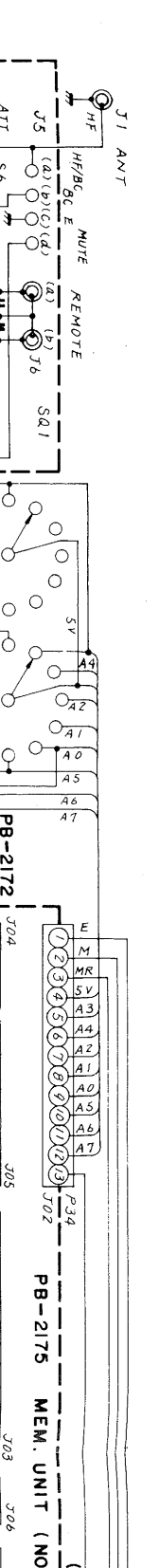
FRG-7700
CIRCUIT DIAGRAM

NOTE

1. ALL CAPACITORS ARE IN μ F, UNLESS OTHERWISE NOTED.
2. ALL RESISTORS ARE IN Ω , UNLESS OTHERWISE NOTED.
3. ALL ROTARY SWITCHES ARE SHOWN IN CCW POSITION WITHOUT MCH SWITCH, AND ALL PUSH BUTTON SWITCHES ARE SHOWN IN THE RELEASED POSITION.

1. ALL CAPACITORS ARE 0.047 μ F AND ALL DIODES ARE 1SS53 UNLESS OTHERWISE NOTED.

2. Q01-Q06: 35Z5-56
3. Q07: 25C1674L
4. Q08-12: 2122-28-33
5. Q13: 25C1674L
6. Q14-Q17: 25C1674L
7. Q18-Q20: 25C1674L
8. Q21-Q24: 25C1674L
9. Q25: 25C1674L



FRG-7700
CIRCUIT DIAGRAM